

No. 35K

Pipe and Drain Cleaning  
Equipment

# Parts Catalog

July 2004

**RIDGID**<sup>®</sup>

Ridge Tool Company, 400 Clark St., Elyria, Ohio 44035-6001 U.S.A.

All the Product Parts Lists in the catalog are listed under a subhead and in numerical sequence by Product Model Number.

## RIDGID Pipe and Drain Cleaning Equipment

### Hand Tools

| Model No. | Description                             | Page |
|-----------|---|------|
| K 25      | Hand Spinner .....                      | 1    |
| K 26      | Hand Spinner .....                      | 1    |
|           | Flat Steel Tape Replacement Parts ..... | 2    |

### Portable Drain Cleaning Machines

| Model No. | Description                           | Page  |
|-----------|---------------------------------------|-------|
| K 38      | Portable Drain Cleaner .....          | 3     |
| K 38 B    | Cordless Portable Drain Cleaner ..... | 3     |
| K 39      | Drain Cleaner .....                   | 4-9   |
| K 39 B    | Drain Cleaner .....                   | 4-9   |
| K 40      | Drain Cleaner .....                   | 10-18 |
| K 40 B    | Drain Cleaner .....                   | 11-15 |

### Sectional Drain Cleaning Machines

| Model No.  | Description                  | Page      |
|------------|------------------------------|-----------|
| K 50       | Drain Cleaning Machine ..... | 19-20     |
| A 17       | Cable Adapter .....          | 20        |
| K 60       | Drain Cleaning Machine ..... | 21        |
| PRO 60     | Drain Cleaning Machine ..... | 21        |
| K 60SP     | Drain Cleaning Machine ..... | 22-23     |
| K 75 A     | Drain Cleaning Machine ..... | 24-25, 27 |
| K 75 B     | Drain Cleaning Machine ..... | 24-25, 27 |
| K 1500 A   | Drain Cleaning Machine ..... | 24-25, 27 |
| K 1500 B   | Drain Cleaning Machine ..... | 24-25, 27 |
| K 1500 ASP | Drain Cleaning Machine ..... | 24, 26-27 |
| K 1500 BSP | Drain Cleaning Machine ..... | 24, 26-27 |
| K 1500 G   | Drain Cleaning Machine ..... | 28-30     |

### Drum Cleaning Machines

| Model No. | Description                  | Page  |
|-----------|------------------------------|-------|
| K 375     | Drain Cleaning Machine ..... | 31-34 |
| K 375 C   | Drain Cleaning Machine ..... | 38    |
| K 375 R   | Drain Cleaning Machine ..... | 35-38 |
| K 380     | Drain Cleaning Machine ..... | 39-42 |
| K 750     | Drum Machine .....           | 43-46 |
| K 750 R   | Drum Machine .....           | 47-49 |
| K 3800    | Drain Cleaning Machine ..... | 50-57 |
| K 6200    | Drain Cleaning Machine ..... | 58-65 |
| K 7500    | Drain Cleaning Machine ..... | 66-69 |

### Rodding Machines

| Model No. | Description  | Page  |
|-----------|--------------|-------|
| K 1000    | Rodder ..... | 70-71 |

### Water Jetters

| Model No. | Description        | Page  |
|-----------|--------------------|-------|
| KJ 1350   | Water Jetter ..... | 72-76 |
| KJ 1750   | Water Jetter ..... | 77-83 |
| KJ 2200   | Water Jetter ..... | 84-86 |
| KJ 3000   | Jetter .....       | 87-93 |
| FV 1      | Foot Valve .....   | 92    |
| H 10      | Cart .....         | 94-95 |
| H 30      | Cart .....         | 96    |
| H 32      | Jet Vac .....      | 97    |

### Diagnostic Equipment

| Model No. | Description                      | Page    |
|-----------|----------------------------------|---------|
| SeeSnake  | Video Inspection Equipment ..... | 98-104  |
| SeeSnake  | Toolbox Monitor .....            | 105-107 |
| SeeSnake  | Video System Manager .....       | 108-109 |
| SeeSnake  | Monitor+VCR .....                | 110-113 |
| SeeSnake  | Color Video Tool Case .....      | 114-119 |
| KD 4510   | Line Locator .....               | 120     |
| KD 4550   | Line Locator .....               | 121     |

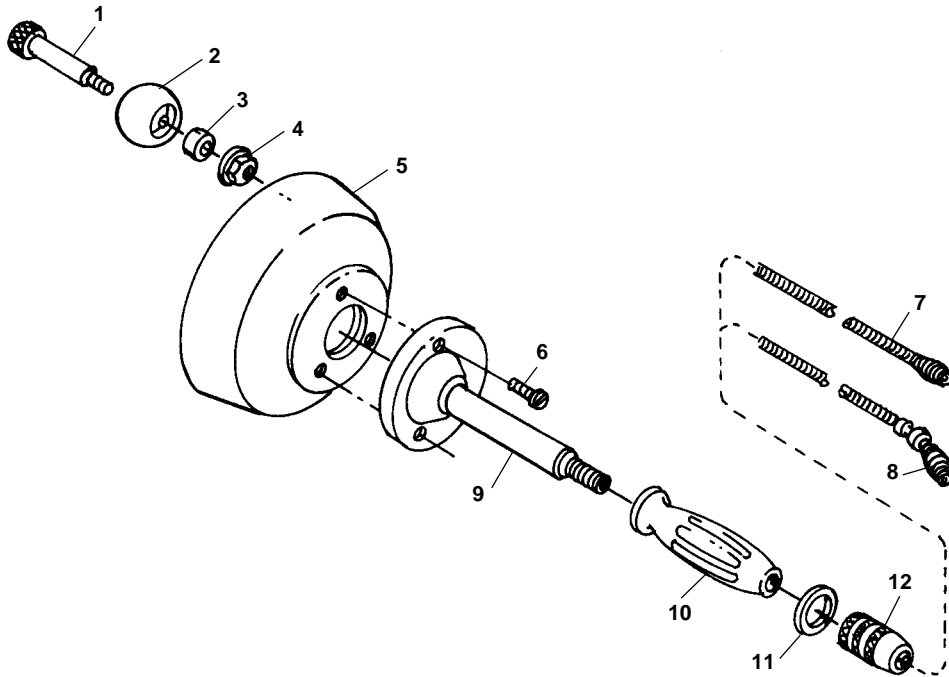
### Pumps

| Model No. | Description             | Page |
|-----------|-------------------------|------|
| SP 500 P  | Sump Pump .....         | 122  |
| SP 1000   | Sump Pump .....         | 122  |
| SP 330    | Sump Pump .....         | 123  |
| SP 330 D  | Sump Pump .....         | 123  |
| SP 500    | Sump Pump .....         | 123  |
| SP 500 A  | Sump Pump .....         | 123  |
| BB 12V    | Sump Pump .....         | 123  |
| SEC 400   | Sewage Pump .....       | 124  |
| SEC 600   | Sewage Pump .....       | 124  |
| SEP 500   | Sewage Pump .....       | 124  |
| TP 1000   | Utility Sump Pump ..... | 125  |
| TP 250    | Utility Sump Pump ..... | 126  |
| TP 4000   | Transfer Pump .....     | 127  |
| TP 5000   | Transfer Pump .....     | 127  |

### Miscellaneous

| Model No. | Description                      | Page    |
|-----------|----------------------------------|---------|
|           | Authorized Service Centers ..... | 128-129 |

**K-25 Hand Spinner**

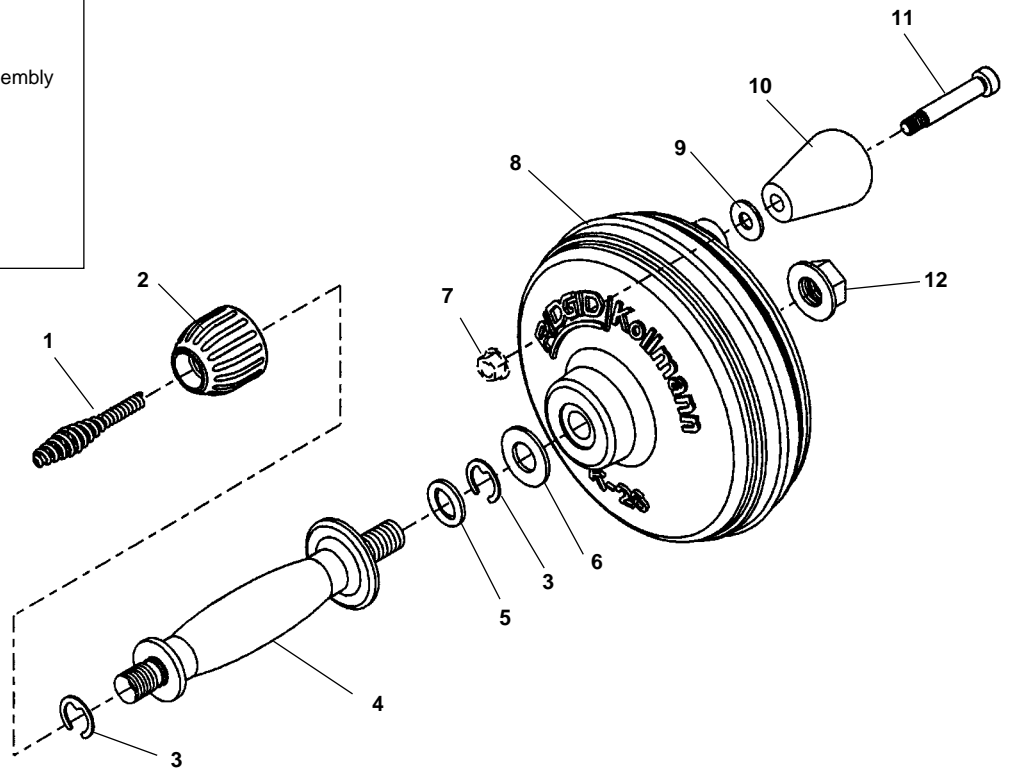


**NOTE: Order parts by Catalog Number only.  
DO NOT order by Reference Number.**

| Ref. No. | Catalog No. | Description   |
|----------|-------------|---|
| —        | 58890       | K-25 - BP w/C-1-IC                                    |
| —        | 58895       | K-25 - DH w/C-2-IC                                    |
| 1        | 50632       | Shoulder Screw  |
| 2        | 61745       | Knob  |
| 3        | 50642       | Spacer  |
| 4        | 27517       | Lock Nut  |
| 5        | 50637       | Cable Container Assembly<br>(Includes Ref. 1,2,3,4,6) |
| 6        | 61540       | Screw   |
| 7        | 56782       | C-1 - IC  |
| 8        | 56787       | C-2 - IC  |
| 9        | 60735       | Guide Tube & Flange                                   |
| 10       | 76765       | Handle Grip   |
| 11       | 60725       | Retaining Ring  |
| 12       | 60720       | Chuck   |

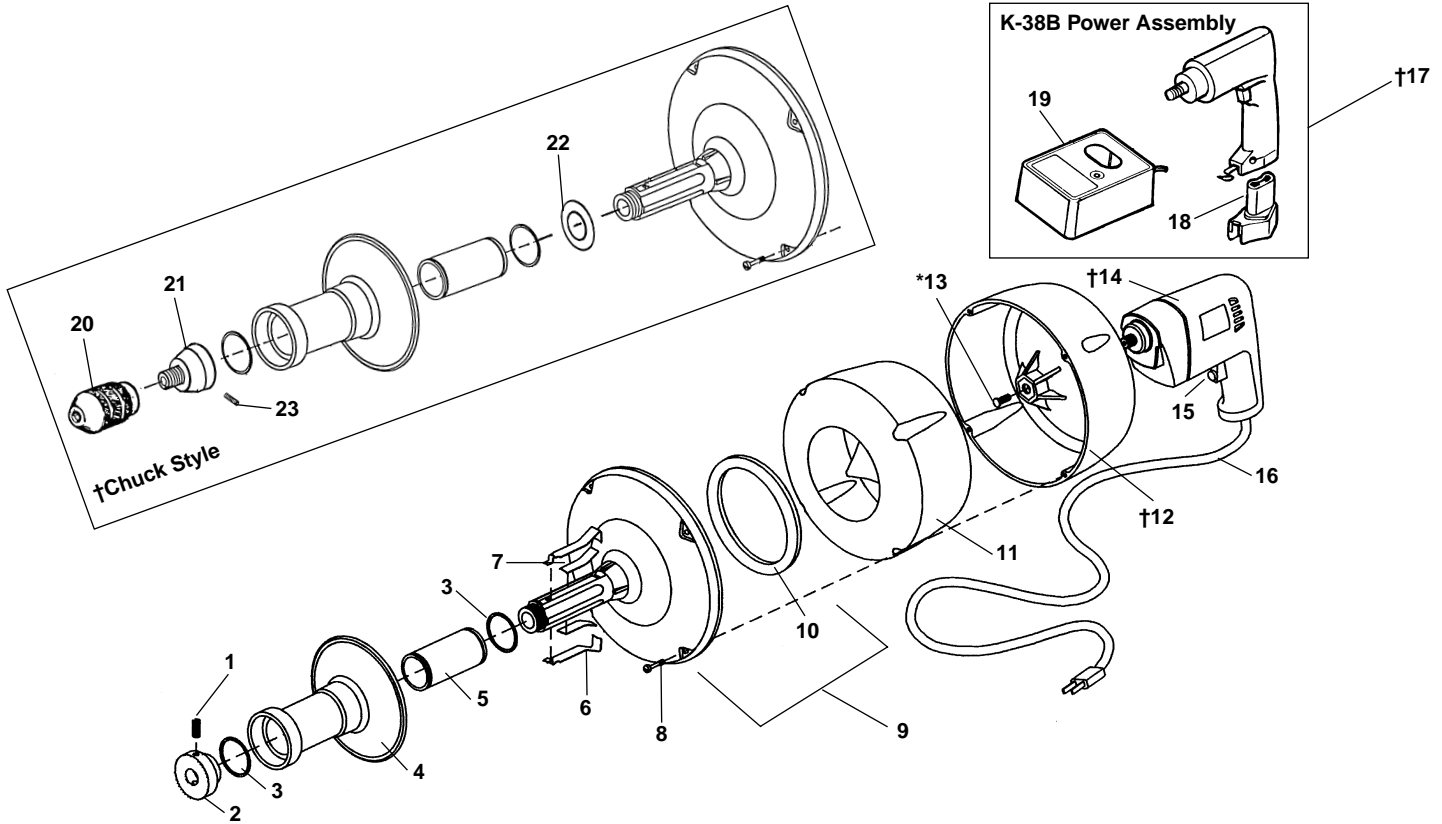
**K-26 Hand Spinner**

| Ref. No. | Catalog No. | Description                 |
|----------|-------------|-----------------------------|
| —        | 59812       | K-26 Hand Spinner           |
| 1        | 62225       | C-1                         |
| 2        | 60777       | Chuck Assembly              |
| 3        | 42580       | Retaining Ring (2)          |
| 4        | 60782       | Guide Tube Handle Assembly  |
| 5        | 84460       | Thrust Washer               |
| 6        | 80205       | Thrust Washer               |
| 7        | 27517       | Lock Nut                    |
| 8        | 60787       | Cable Container             |
| 9        | 60060       | Washer                      |
| 10       | 60792       | Knob                        |
| 11       | 60797       | 3/8" x 1 3/4" Shoulder Bolt |
| 12       | 61447       | 5/8" - 18 Hex Jam Nut       |



**Replacement Parts  
for One Piece Flat Steel Sewer Tapes**

| Catalog No. | Model No. | Width  | Thickness | Length | 89745 Ball | 89750 Ball | 89755 Ball | 89760 Ball | 89765 Handle | 89770 Spear | 89775 Spear |
|-------------|-----------|--------|-----------|--------|------------|------------|------------|------------|--------------|-------------|-------------|
| 62510       | E-2720    | 1/4"   | 1/16"     | 25'    | •          |            |            |            |              |             |             |
| 62515       | E-2721    | 1/4"   | 1/16"     | 50'    | •          |            |            |            |              |             |             |
| 62520       | E-2722    | 1/4"   | 1/16"     | 75'    | •          |            |            |            |              |             |             |
| 62525       | E-2723    | 1/4"   | 1/16"     | 100'   | •          |            |            |            |              |             |             |
| 62530       | E-2724    | 1/2"   | 1/16"     | 25'    |            | •          |            |            | •            | •           |             |
| 62535       | E-2725    | 1/2"   | 1/16"     | 50'    |            | •          |            |            | •            | •           |             |
| 62540       | E-2726    | 1/2"   | 1/16"     | 75'    |            | •          |            |            | •            | •           |             |
| 62545       | E-2727    | 1/2"   | 1/16"     | 100'   |            | •          |            |            | •            | •           |             |
| 62550       | E-2728    | 3/4"   | 1/16"     | 25'    |            |            | •          |            | •            | •           |             |
| 62555       | E-2729    | 3/4"   | 1/16"     | 50'    |            |            | •          |            | •            | •           |             |
| 62560       | E-2730    | 3/4"   | 1/16"     | 75'    |            |            | •          |            | •            | •           |             |
| 62565       | E-2731    | 3/4"   | 1/16"     | 100'   |            |            | •          |            | •            | •           |             |
| 62570       | E-2732    | 5/8"   | 3/32"     | 25'    |            |            | •          |            | •            | •           |             |
| 62575       | E-2733    | 5/8"   | 3/32"     | 50'    |            |            | •          |            | •            | •           |             |
| 62580       | E-2734    | 5/8"   | 3/32"     | 75'    |            |            | •          |            | •            | •           |             |
| 62585       | E-2735    | 5/8"   | 3/32"     | 100'   |            |            | •          |            | •            | •           |             |
| 62590       | E-2736    | 3/4"   | 1/8"      | 25'    |            |            | •          |            | •            | •           |             |
| 62595       | E-2737    | 3/4"   | 1/8"      | 50'    |            |            | •          |            | •            | •           |             |
| 62600       | E-2738    | 3/4"   | 1/8"      | 75'    |            |            | •          |            | •            | •           |             |
| 62605       | E-2739    | 3/4"   | 1/8"      | 100'   |            |            | •          |            | •            | •           |             |
| 62610       | E-2740    | 1"     | 1/8"      | 25'    |            |            |            | •          | •            |             | •           |
| 62615       | E-2741    | 1"     | 1/8"      | 50'    |            |            |            | •          | •            |             | •           |
| 62620       | E-2742    | 1"     | 1/8"      | 75'    |            |            |            | •          | •            |             | •           |
| 62625       | E-2743    | 1"     | 1/8"      | 100'   |            |            |            | •          | •            |             | •           |
| 62630       | E-2744    | 1 1/4" | 1/8"      | 25'    |            |            |            | •          | •            |             | •           |
| 62635       | E-2745    | 1 1/4" | 1/8"      | 50'    |            |            |            | •          | •            |             | •           |
| 62640       | E-2746    | 1 1/4" | 1/8"      | 75'    |            |            |            | •          | •            |             | •           |
| 62645       | E-2747    | 1 1/4" | 1/8"      | 100'   |            |            |            | •          | •            |             | •           |



**NOTE: Order parts by Catalog Number only.  
DO NOT order by Reference Number.**

| Ref. No. | Catalog No. | Description                 | Ref. No. | Catalog No. | Description                                  |
|----------|-------------|-----------------------------|----------|-------------|--|
| 1        | 41502       | Set Screw 3/16" - 18 x 3/4" | 16       | 24747       | Cord (115V)                                  |
| 2        | 41507       | Nose Piece                  | †17      | 39707       | Power Unit, Charger, Battery (115V)          |
| 3        | 41512       | Spiral Ring (2)             |          | 44902       | Power Unit, Charger, Battery (240V-Export)   |
| 4        | 41517       | Hand Grip                   |          | 41197       | Power Unit, Charger, Battery (220V-Europe)   |
| 5        | 41522       | Sleeve                      | 18       | 39717       | Battery Pack - K-38-B                        |
| 6        | 41532       | Clamp Spring (2)            |          | 41207       | Battery 220/240V                             |
| 7        | 41537       | Booster Spring (2)          |          | 39712       | Charger - K-38-B                             |
| 8        | 41542       | Captive Screw (4)           |          | 41202       | Charger 220V                                 |
| 9        | 41547       | Drum Front w/Gasket         |          | 44952       | Auto Charger 12 VDC                          |
| 10       | 47252       | Gasket                      | 20       | 55247       | Cable Chuck                                  |
| 11       | 41552       | Drum Liner                  | 21       | 55257       | Chuck Adapter                                |
| †12      | 41557       | Drum Back                   | 22       | 55252       | Spacer                                       |
| *13      | 76775       | Screw (Left Hand Thread)    | 23       | 60025       | Set Screw                                    |
| †14      | 61980       | Power Unit (115V)           | —        | 41562       | Decal Package K-38                           |
|          | 84430       | Power Unit (230V-Export)    | —        | 41567       | Decal Package K-38-B                         |
|          | 44462       | Power Unit (220V-Europe)    | —        | 55242       | Chuck Assy. Kit Includes Ref. No. 20, 21, 22 |
| 15       | 61100       | Switch (115V)               |          |             |  |
|          | 84685       | Switch (230V-Export)        |          |             |  |
|          | 44467       | Switch (220V-Europe)        |          |             |  |

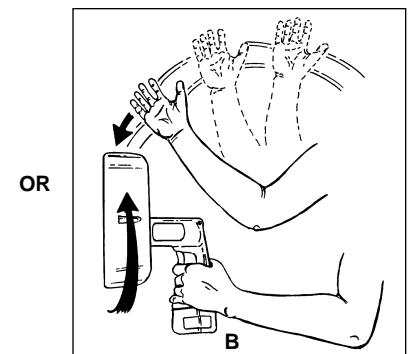
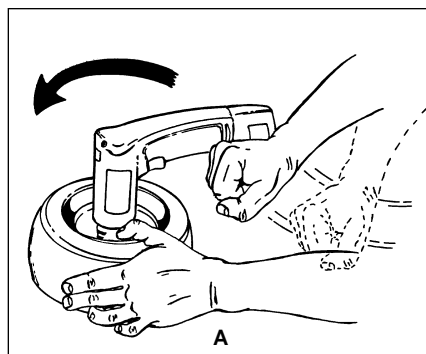
†See Service Notes

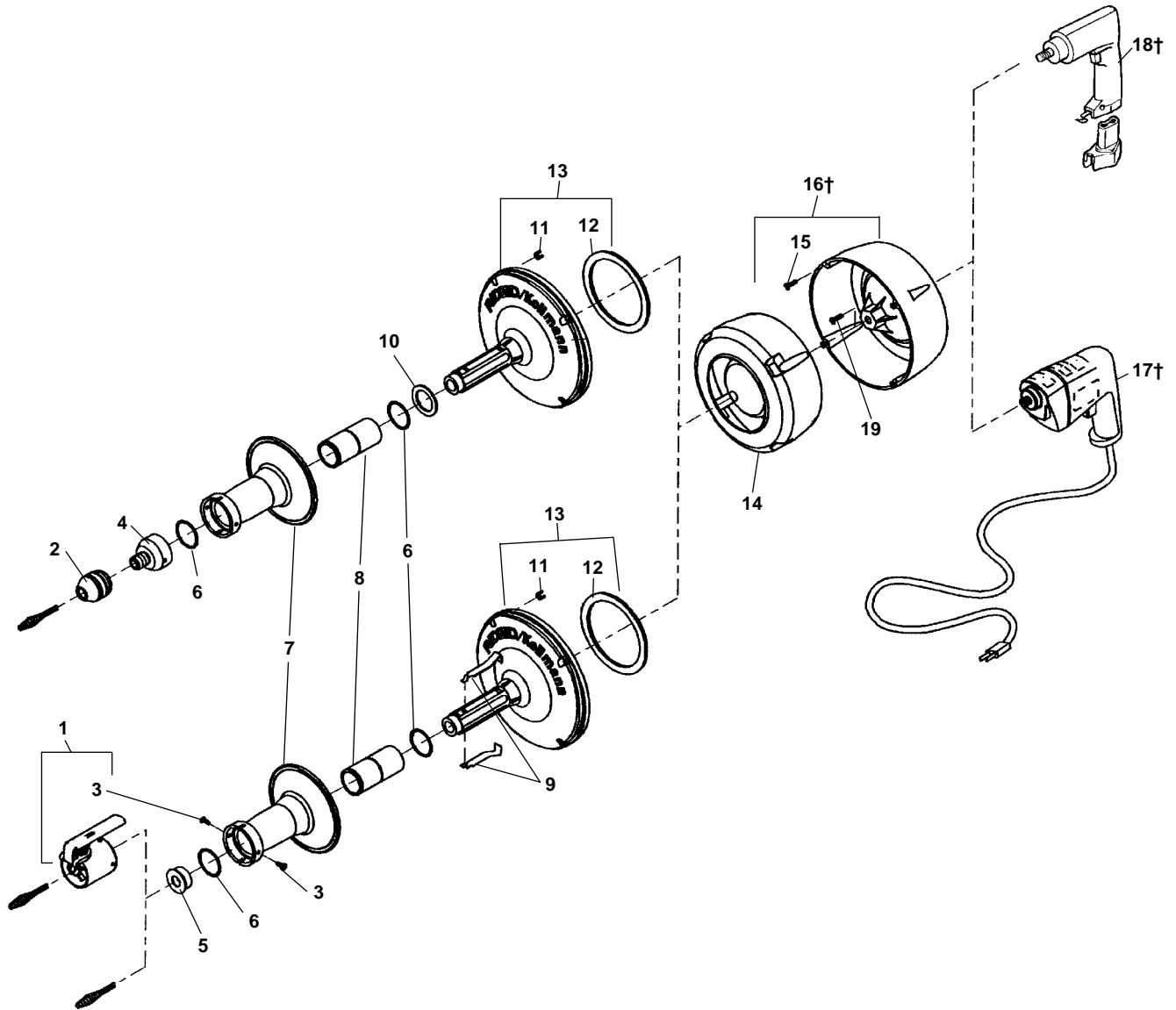
**†Service Notes**

**Ref. No. 11 & 13:** To remove drum back from power unit, first remove left hand screw Ref. 12. Strike unit as shown in figures below to unscrew drum.

**Ref. No. 16:** See Model 3350 for component parts

**†Chuck conversion:** When converting to cable chuck Ref. 19, remove springs Ref. 6 & 7.



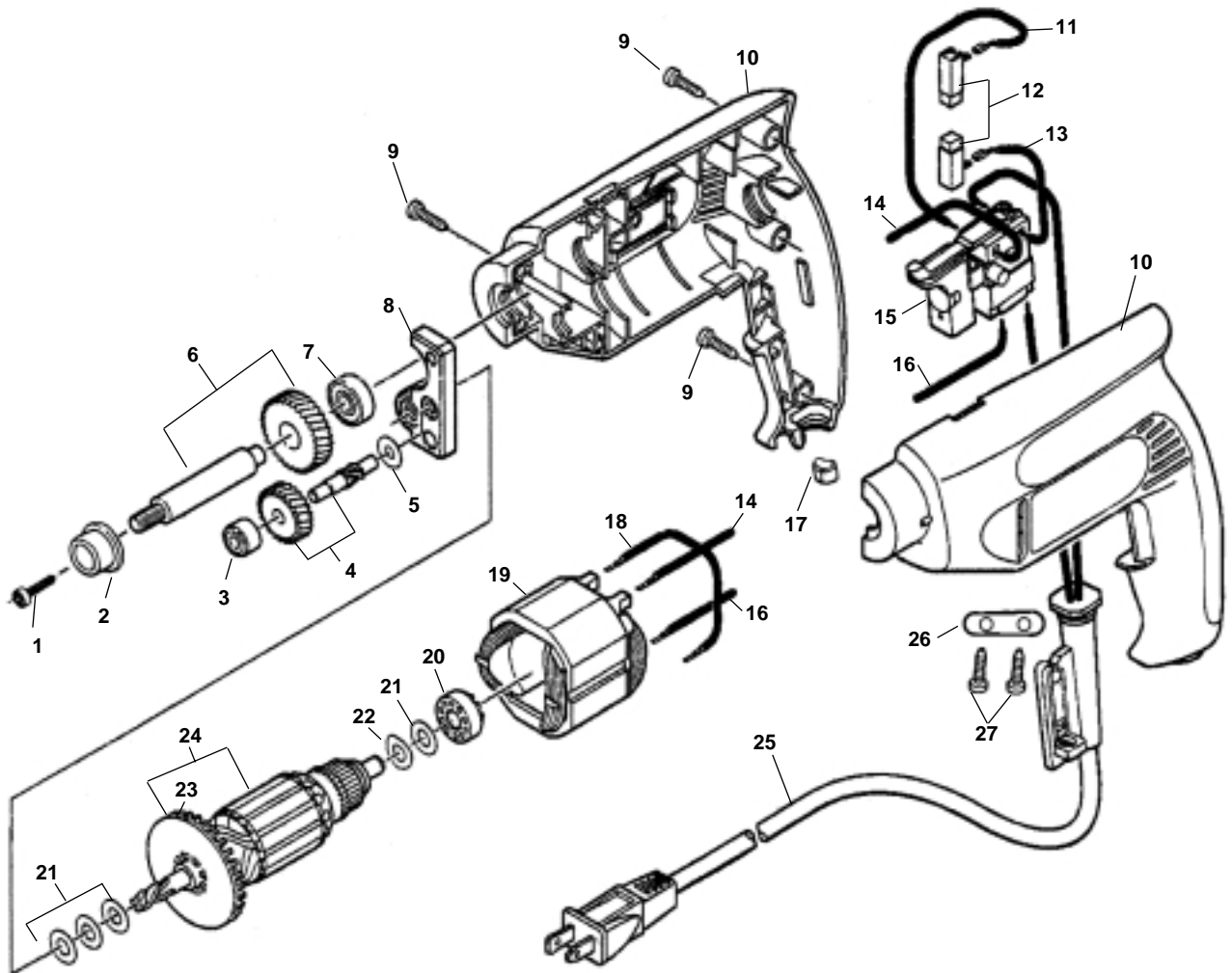


**NOTE: Order parts by Catalog Number only.  
DO NOT order by Reference Number.**

| Ref. No. | Catalog No. | Description                 | Ref. No. | Catalog No. | Description                          |
|----------|-------------|-----------------------------|----------|-------------|--------------------------------------|
| 1        | 67962       | A-39 Autofeed               | 12       | 47252       | Gasket                               |
| 2        | 55247       | Cable Chuck                 | 13       | 68927       | Drum Front                           |
| 3        | 68937       | Pan Head Screw #10 - 24 (4) | 14       | 68917       | Drum Liner                           |
| 4        | 55257       | Chuck Adapter               | 15       | 69542       | Screw #10 - 32 x 1" (4)              |
| 5        | 68957       | Nose Piece                  | 16†      | 68932       | Drum Back                            |
| 6        | 41512       | Spiral Ring (2)             | 17†      | 73992       | Power Unit (120V 60Hz)               |
| 7        | 41517       | Hand Grip                   |          | 68952       | Power Unit (220/240V 50Hz)           |
| 8        | 68922       | Sleeve                      | 18†      | 18678       | 12DVC Power Unit with Battery        |
| 9        | 68947       | Clamp Springs (2)           | 19       | 42402       | Screw, K-39, K-39B 7.2V (*LH Thread) |
| 10       | 55252       | Spacer                      |          | 19128       | Screw, M5 (K-39B 12V, *LH Thread)    |
| 11       | 68942       | Clips (4)                   |          |             |                                      |

† See Service Notes

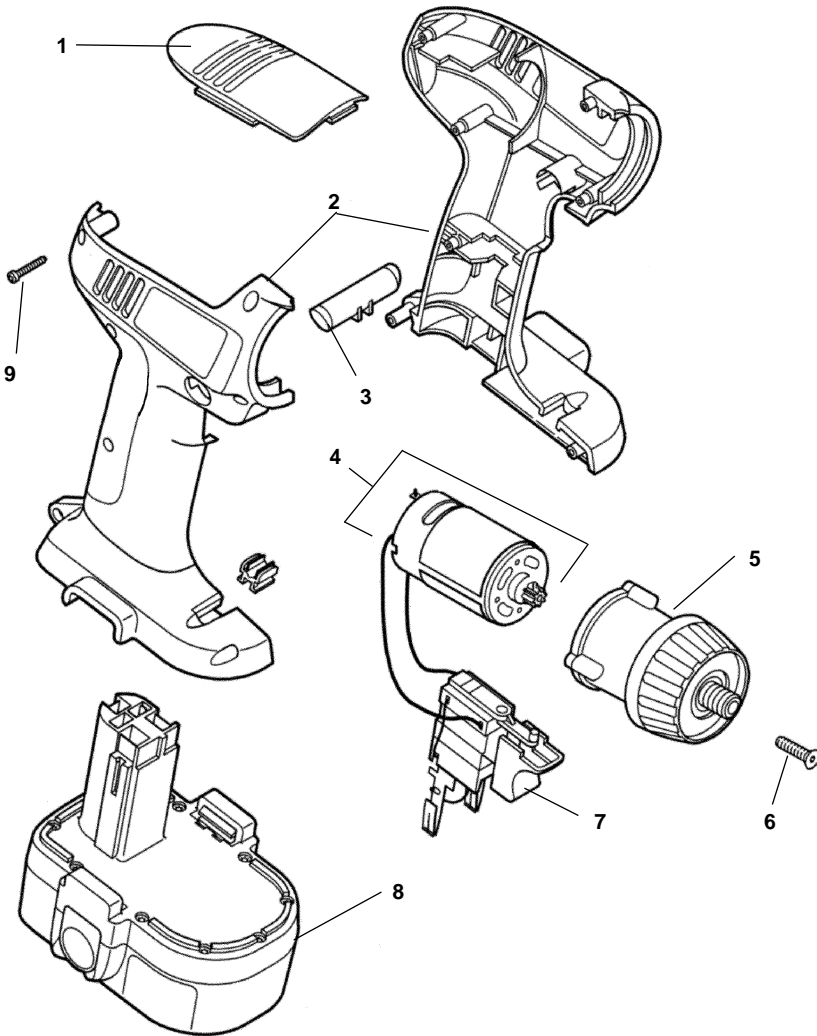
**K-39 Power Unit, 115V**



**NOTE: Order parts by Catalog Number only.  
DO NOT order by Reference Number.**

| Ref. No. | Catalog No. | Description              | Ref. No. | Catalog No. | Description         |
|----------|-------------|--------------------------|----------|-------------|---------------------|
| —        | 73992       | Power Unit - 120V 60Hz   | 14       | 74312       | Brown Lead Wire     |
| 1        | 42402       | Screw L.H.               | 15       | 74332       | Switch VSR          |
| 2        | 83042       | Bushing                  | 16       | 74337       | Blue Lead Wire      |
| 3        | 74252       | Needle Bearing           | 17       | 74342       | Housing Plug        |
| 4        | 74257       | Intermediate Gear        | 18       | 74352       | Black Jumper Wire   |
| 5        | 74262       | Shim 0.3mm               | 19       | 74357       | Field 120V          |
| 6        | 74242       | Spindle w/Gear Assembly  | 20       | 74362       | Bushing             |
| 7        | 74247       | Ball Bearing             | 21       | 74372       | Washer (4)          |
| 8        | 74267       | Bearing Block Assembly   | 22       | 74377       | Spring Washer       |
| 9        | 74302       | Screw (7)                | 23       | 74382       | Fan                 |
| 10       | 74307       | Housing Assembly L. & R. | 24       | 74387       | Armature w/Fan 120V |
| 11       | 74317       | Black Brush Lead         | 25       | 74347       | Cord 120V           |
| 12       | 74322       | Brush and Holder Set     | 26       | 74662       | Cord Clamp          |
| 13       | 74327       | White Brush Lead         | 27       | 74667       | Screw T-15 (2)      |

**PU-12 Power Unit 12VDC**

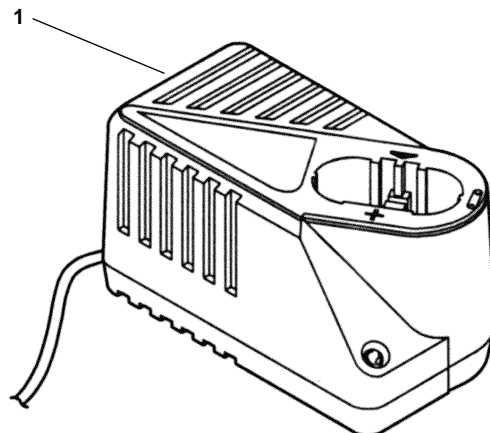


**NOTE: Order parts by Catalog Number only.  
DO NOT order by Reference Number.**

| Ref. No. | Catalog No. | Description             |
|----------|-------------|-------------------------|
| —        | 18678       | Power Unit with Battery |
| 1        | 19033       | Housing Cover           |
| 2        | 19018       | Housing Set             |
| 3        | 19048       | Switch Handle           |
| 4        | 19043       | Motor                   |
| 5        | 19038       | Gear/Clutch Assembly    |
| 6        | 19128       | Screw, Left Hand M5     |
| 7        | 19023       | Switch                  |
| 8        | 18658       | Battery                 |
| 9        | 19028       | Screw, Housing (7)      |

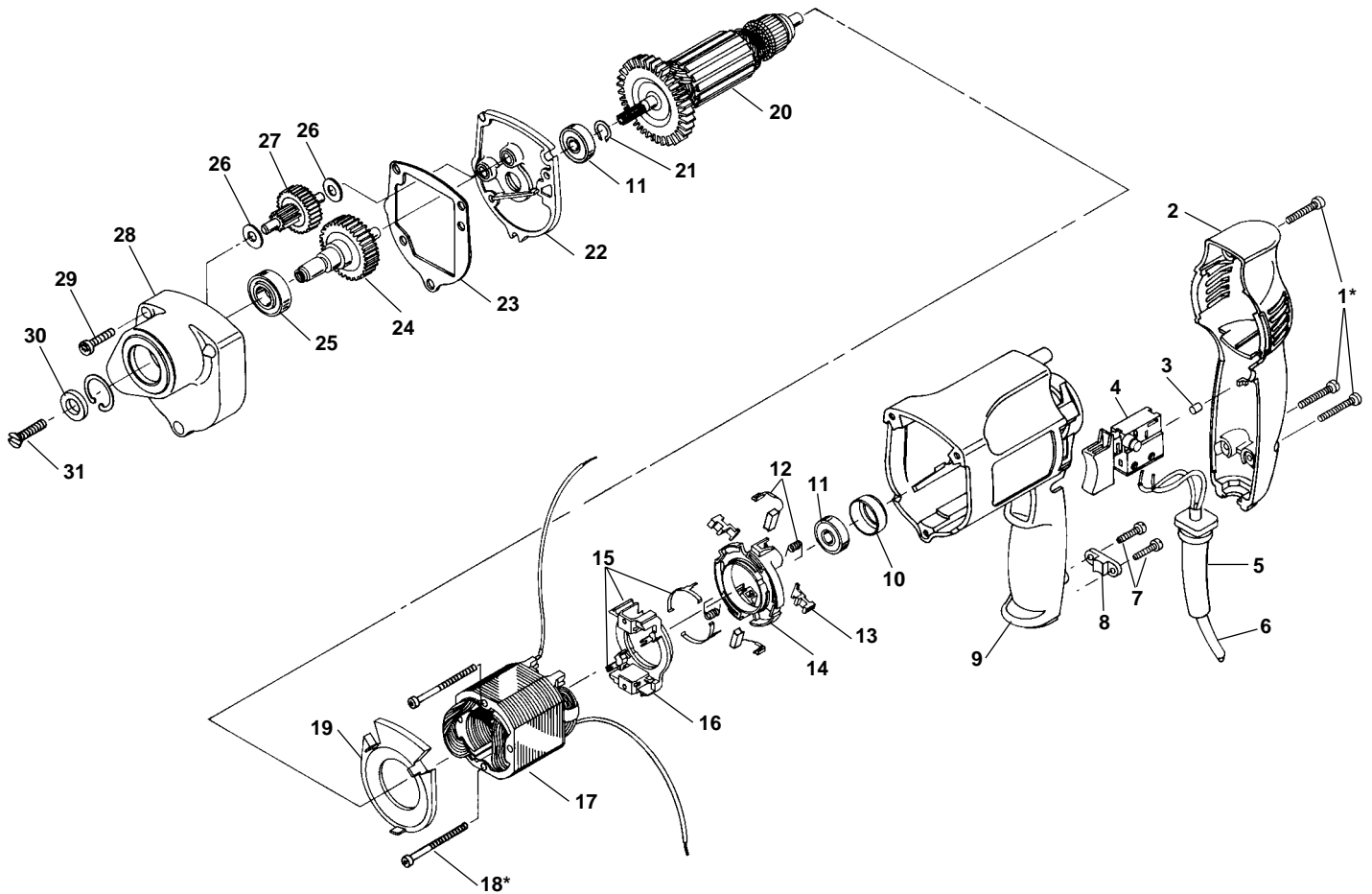
**Battery Charger 12VDC**

| Ref. No. | Catalog No. | Description                   |
|----------|-------------|-------------------------------|
| 1        | 18663       | Charger 120V 60Hz             |
|          | 18668       | Charger 230V 50Hz             |
|          | 18673       | Charger 240V 50Hz - Australia |





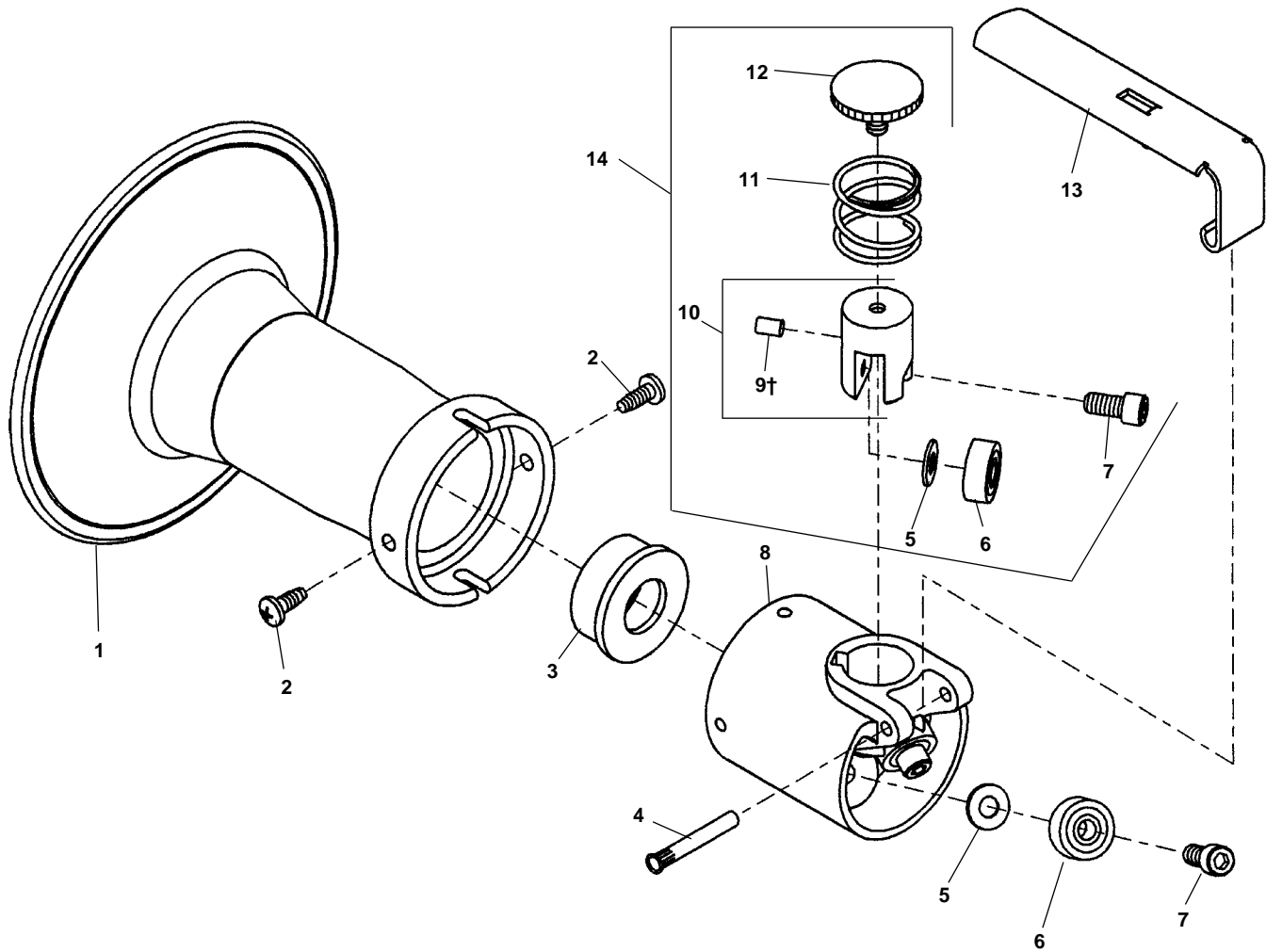
**220V European Power Unit**



**NOTE: Order parts by Catalog Number only.  
DO NOT order by Reference Number.**

| Ref. No. | Catalog No. | Description                | Ref. No. | Catalog No. | Description                |
|----------|-------------|----------------------------|----------|-------------|----------------------------|
| —        | 68952       | Power Unit - 220/240V 50Hz | 16       | 42812       | Stationary Contact Carrier |
| *1       | 42727       | Screw (*Torx T20)          | 17       | 72597       | Field                      |
| 2        | 42732       | Handle Cover               | *18      | 42832       | Screw                      |
| 3        | 42737       | Rubber Plug                | 19       | 42837       | Baffle                     |
| 4        | 72607       | Switch                     | 20       | 72602       | Armature                   |
| 5        | 42752       | Strain Relief              | 21       | 42442       | Retaining Ring             |
| 6        | 72617       | Cord                       | 22       | 42587       | Bearing Plate Assembly     |
| *7       | 42762       | Screw (*Torx T15)          | 23       | 42862       | Gasket                     |
| 8        | 42767       | Cord Clamp                 | 24       | 42872       | Output Shaft Assembly      |
| 9        | 42772       | Motor Housing              | 25       | 42887       | Ball Bearing               |
| 10       | 42777       | Sleeve                     | 26       | 42892       | Washer                     |
| 11       | 42782       | Ball Bearing               | 27       | 42897       | Int. Gear Assembly         |
| 12       | 72612       | Brush & Spring Set         | 28       | 42907       | Gear Housing Assembly      |
| 13       | 42797       | Reverse Lever              | 29       | 42912       | Screw (3)                  |
| 14       | 42802       | Rev. Switch & Brush Holder | 30       | 42937       | Spacer                     |
| 15       | 42807       | Contact Set                | *31      | 42957       | Screw (*L.H. Thread)       |

**Autofeed**



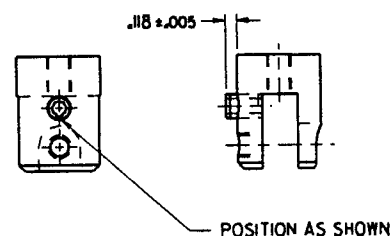
**NOTE: Order parts by Catalog Number only.  
DO NOT order by Reference Number.**

| Ref. No. | Catalog No. | Description                       | Ref. No. | Catalog No. | Description                |
|----------|-------------|-----------------------------------|----------|-------------|----------------------------|
| —        | 67962       | A-39 Autofeed                     | 7        | 39830       | Socket HD Cap Screw (3)    |
| —        | 67952       | A-38PF Kit for K-38 Drain Cleaner | 8        | 67967       | Autofeed Body              |
| 1        | 41517       | Hand Grip (A-38PF Only)           | 9†       | 54007       | Roll Pin 1/4" x 3/8"       |
| 2        | 68937       | Pan Head Screw 10-32 x 1" (4)     | 10       | 68017       | Top Roller Holder          |
| 3        | 68957       | Nose Piece (A-38PF Only)          | 11       | 68012       | Return Spring              |
| 4        | 32107       | Pivot Pin                         | 12       | 68007       | Top Adjustment Screw       |
| 5        | 67992       | Flat Thrust Washer (3)            | 13       | 68002       | Feed Actuator Lever        |
| 6        | 67997       | Roller Bearing (3)                | 14       | 76597       | Top Roller Holder Assembly |

† – See Service Notes

**Service Notes:**

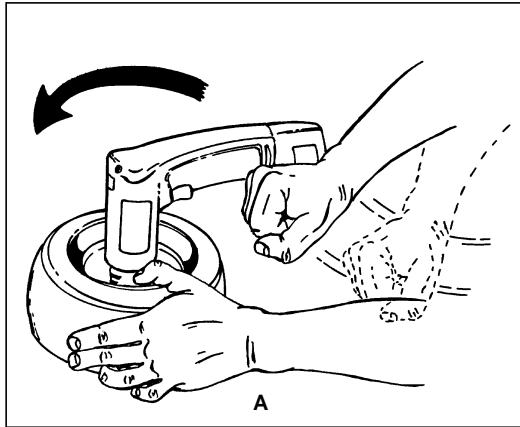
- 1) Apply Texclad #2 grease to the following areas:
  - A) Top surface and threads of item #7 (Top Adjustment Screw)
  - B) Outside Dia. of item #10 (Roller Holder)
- 2) Locate slot in Roll Pin item #9 at six-o'clock position and press to dimension shown



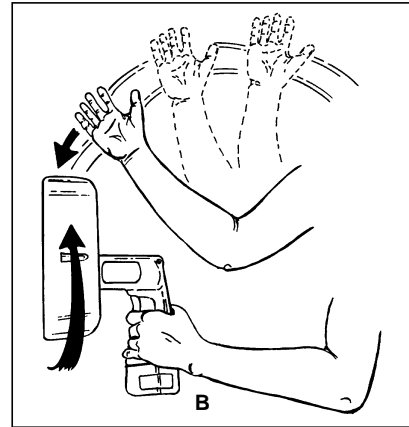
**Service Notes**

**Service Notes**

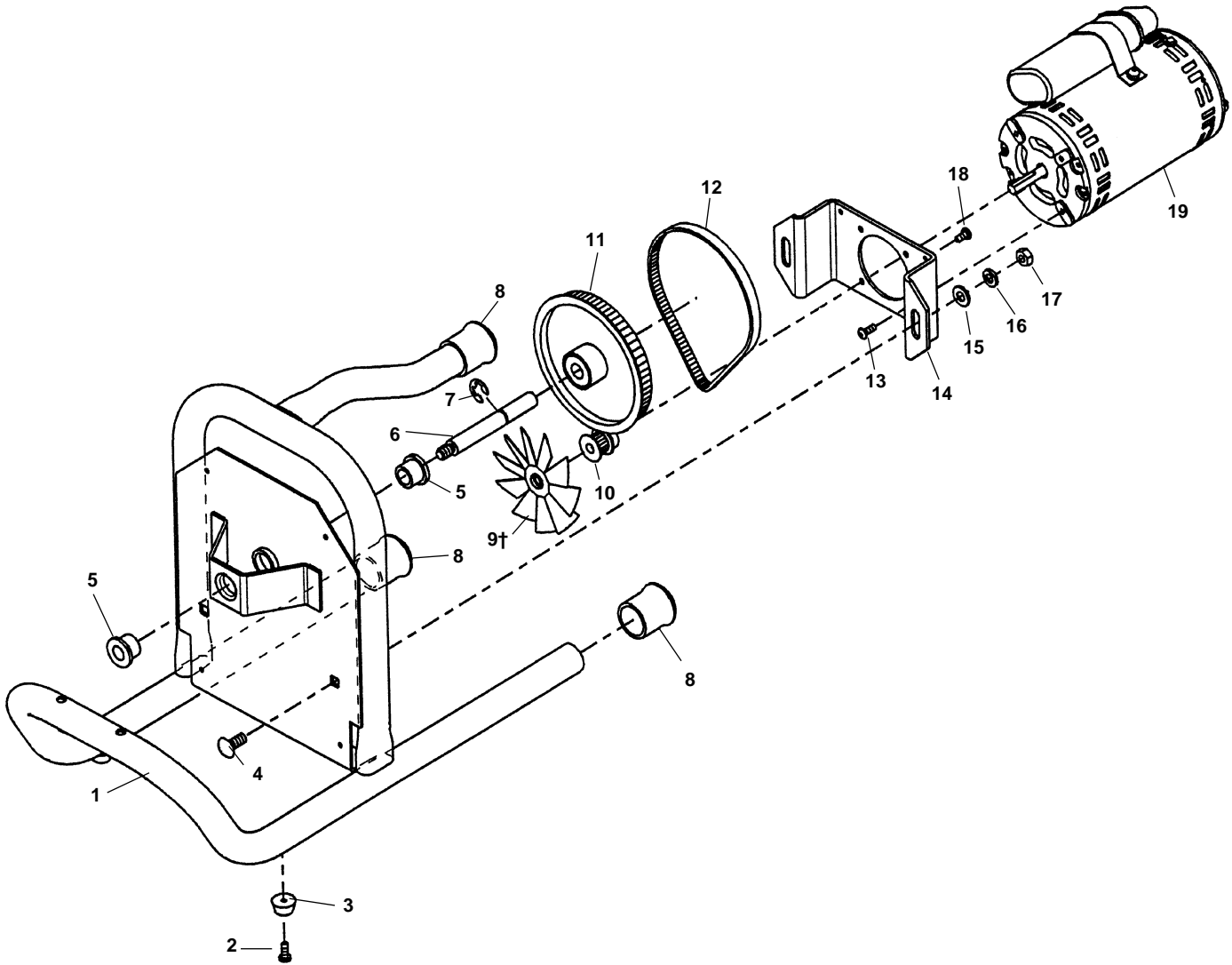
Remove left hand screw (Ref. 15) before removing power unit from drum back. Either method can be used.



OR



**Motor/Frame Assembly**

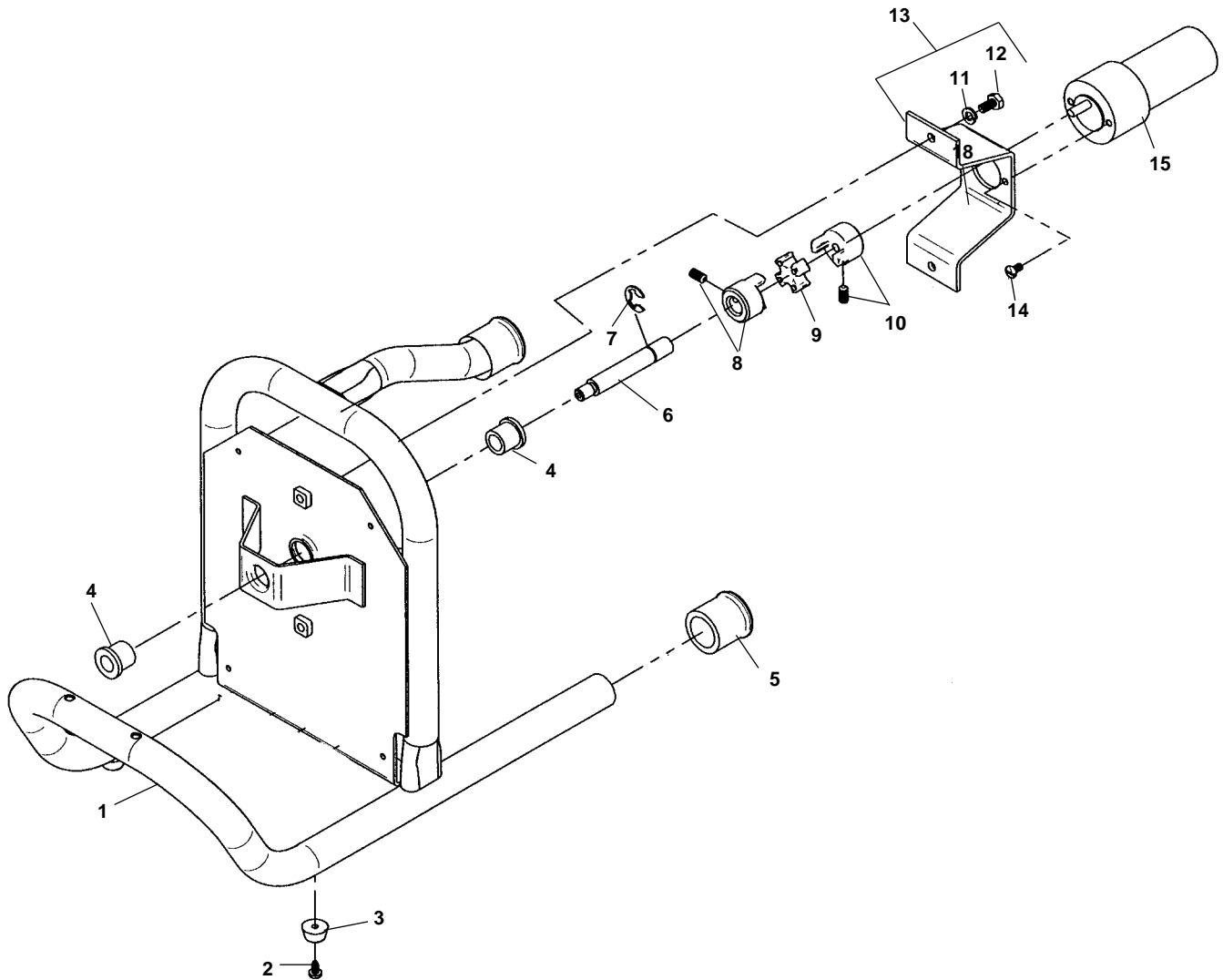


**NOTE: Order parts by Catalog Number only.  
DO NOT order by Reference Number.**

| Ref. No. | Catalog No. | Description   | Ref. No. | Catalog No. | Description                       |
|----------|-------------|---|----------|-------------|-----------------------------------|
| 1        | 71887       | Frame Assembly  | 12       | 71957       | Drive Belt                        |
| 2        | 45420       | Screw #10 - 24 (8)                                    |          | 83917       | Drive Belt (230V 50Hz Only)       |
| 3        | 71972       | Rubber Foot (2)                                       | 13       | 35217       | Screw, Button Head #10 - 32 (4)   |
| 4        | 96260       | Carriage Bolt $\frac{5}{16}$ " - 18 x $\frac{3}{4}$ " | 14       | 71977       | Motor Mounting Plate              |
| 5        | 71967       | Flange Bearing (2)                                    | 15       | 60065       | Flat Washer $\frac{5}{16}$ " (2)  |
| 6        | 71942       | Drum Shaft  | 16       | 60080       | Lock Washer $\frac{5}{16}$ " (2)  |
| 7        | 59810       | Retaining Ring  | 17       | 60230       | Hex Nut $\frac{5}{16}$ " - 18 (2) |
| 8        | 37962       | Rubber Tip (3)  | 18       | 45420       | Screw #10 - 24 (8)                |
| 9†       | 73997       | Fan   | 19       | 71982       | Motor 115V 60Hz                   |
| 10       | 71947       | Motor Pulley  |          | 72017       | Motor 230V 50Hz                   |
| 11       | 71952       | Main Pulley   |          | 72022       | Motor 100V 50/60Hz                |
|          | 83912       | Main Pulley (230V 50Hz Only)                          |          |             |                                   |

† Refer to Service Notes for Fan position.

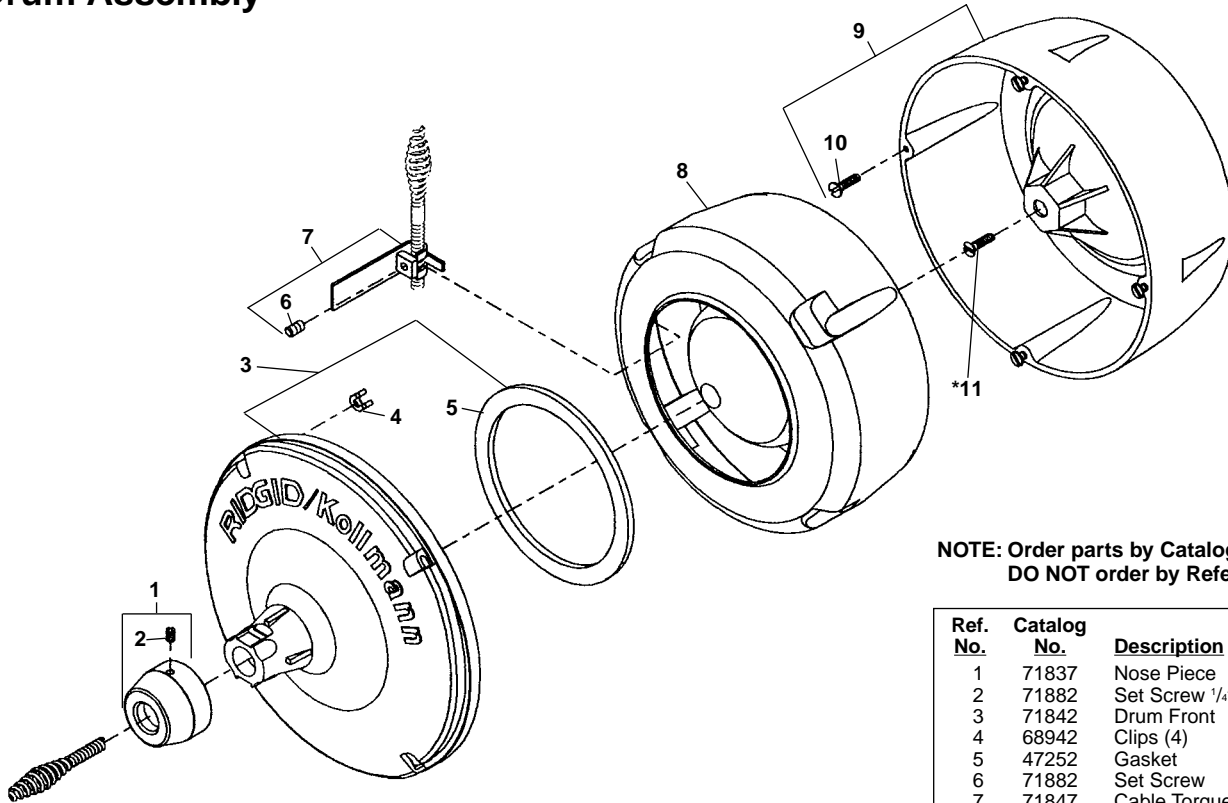
**Motor/Frame Assembly**



**NOTE: Order parts by Catalog Number only.  
DO NOT order by Reference Number.**

| Ref. No. | Catalog No. | Description                                    |
|----------|-------------|--|
| 1        | 83357       | K-40B Tubular Frame Assembly                   |
| 2        | 45420       | Screw #10 - 24 (8)                             |
| 3        | 71972       | Rubber Foot (2)                                |
| 4        | 71967       | Flange Bearing (2)                             |
| 5        | 37962       | Rubber Tip (3)                                 |
| 6        | 83367       | Drum Shaft                                     |
| 7        | 59810       | Retaining Ring                                 |
| 8        | 83377       | Coupling End 1/2"                              |
| 9        | 83382       | Coupling Spider                                |
| 10       | 83372       | Coupling End 1/4"                              |
| 11       | 60075       | Washer (2)                                     |
| 12       | 60265       | Hex Screw 1/4" - 20 x 1/2"                     |
| 13       | 83402       | Motor Mounting Plate<br>(Inc. Ref. No. 11, 12) |
| 14       | 35217       | Screw, Button Head #10 - 32 (2)                |
| 15       | 83397       | Motor 14.4V                                    |

**Drum Assembly**

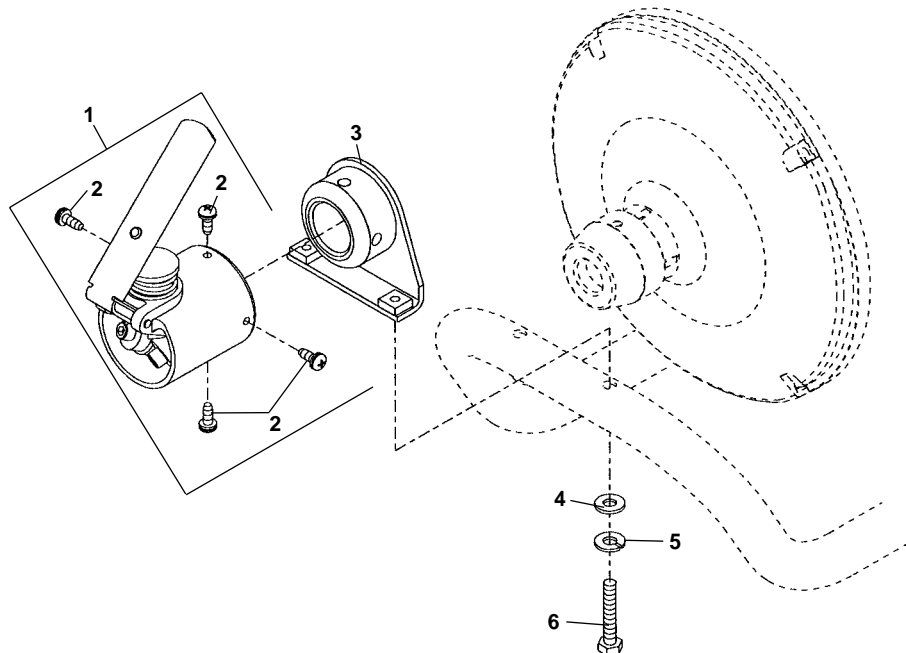


**NOTE: Order parts by Catalog Number only. DO NOT order by Reference Number.**

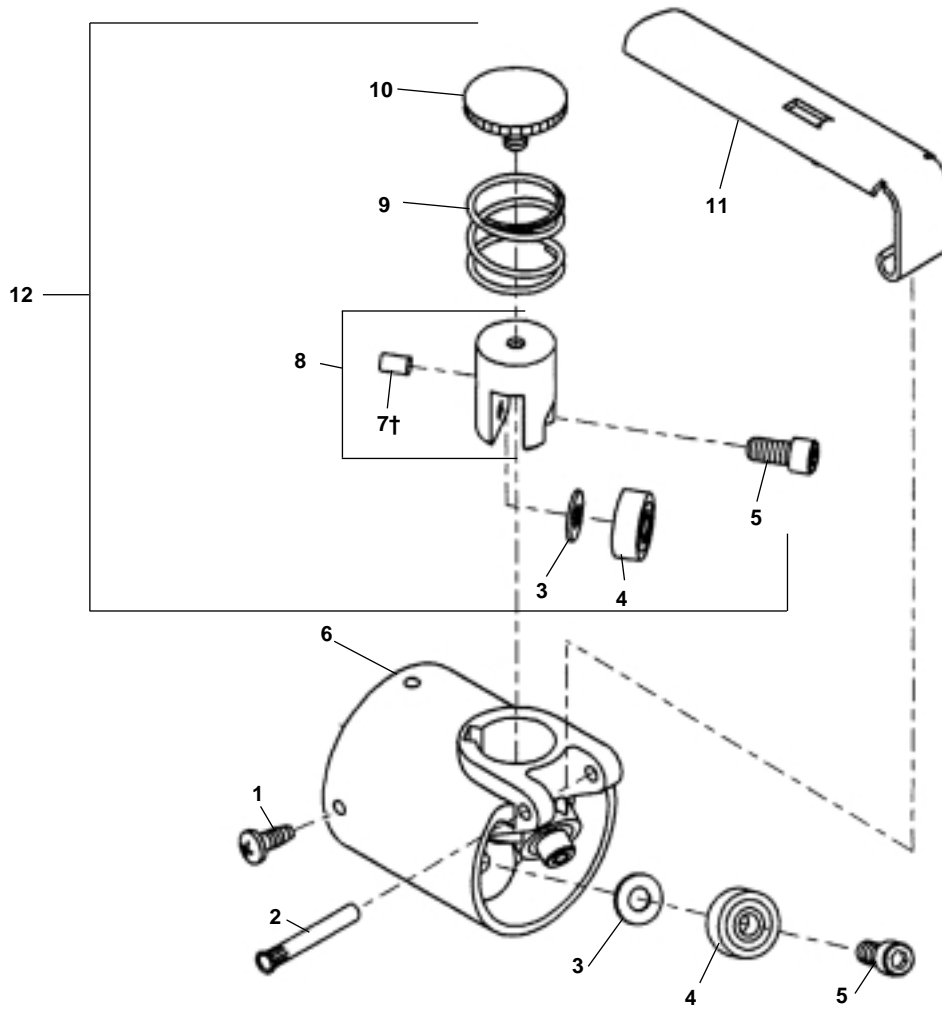
| Ref. No. | Catalog No. | Description                |
|----------|-------------|----------------------------|
| 1        | 71837       | Nose Piece                 |
| 2        | 71882       | Set Screw 1/4" - 20 x 1/2" |
| 3        | 71842       | Drum Front                 |
| 4        | 68942       | Clips (4)                  |
| 5        | 47252       | Gasket                     |
| 6        | 71882       | Set Screw                  |
| 7        | 71847       | Cable Torque Arm           |
| 8        | 68917       | Drum Liner                 |
| 9        | 68932       | Drum Back                  |
| 10       | 69542       | Screw #10 - 32 x 1" (4)    |
| *11      | 76775       | Screw L.H. Thread          |

**Autofeed**

| Ref. No. | Catalog No. | Description                 |
|----------|-------------|-----------------------------|
| —        | 71767       | A-40PF Autofeed Assembly    |
| 1        | 67962       | A-39PF Autofeed             |
| 2        | 68937       | Pan Head Screw #10 - 24 (4) |
| 3        | 72012       | Bracket                     |
| 4        | 50192       | 1/4" Flat Washer (2)        |
| 5        | 60075       | 1/4" Lock Washer (2)        |
| 6        | 73132       | Hex Bolt 1/4" - 20 (2)      |



**Autofeed Assembly**



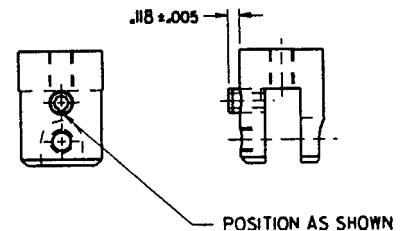
**NOTE: Order parts by Catalog Number only.  
DO NOT order by Reference Number.**

| Ref. No. | Catalog No. | Description               | Ref. No. | Catalog No. | Description                |
|----------|-------------|---------------------------|----------|-------------|----------------------------|
| —        | 67962       | A-39PF Autofeed           | 7†       | 54007       | Roll Pin 1/4" x 3/8"       |
| 1        | 68937       | Pan Head Screw #10-24 (4) | 8        | 68017       | Top Roller Holder          |
| 2        | 32107       | Pivot Pin                 | 9        | 68012       | Return Spring              |
| 3        | 67992       | Flat Thrust Washer (3)    | 10       | 68007       | Top Adjustment Screw       |
| 4        | 67997       | Roller Bearing (3)        | 11       | 68002       | Feed Actuator Lever        |
| 5        | 39830       | Socket Head Cap Screw (3) | 12       | 76597       | Top Roller Holder Assembly |
| 6        | 67967       | Autofeed Body             |          |             |                            |

† – See Service Notes

**Service Notes:**

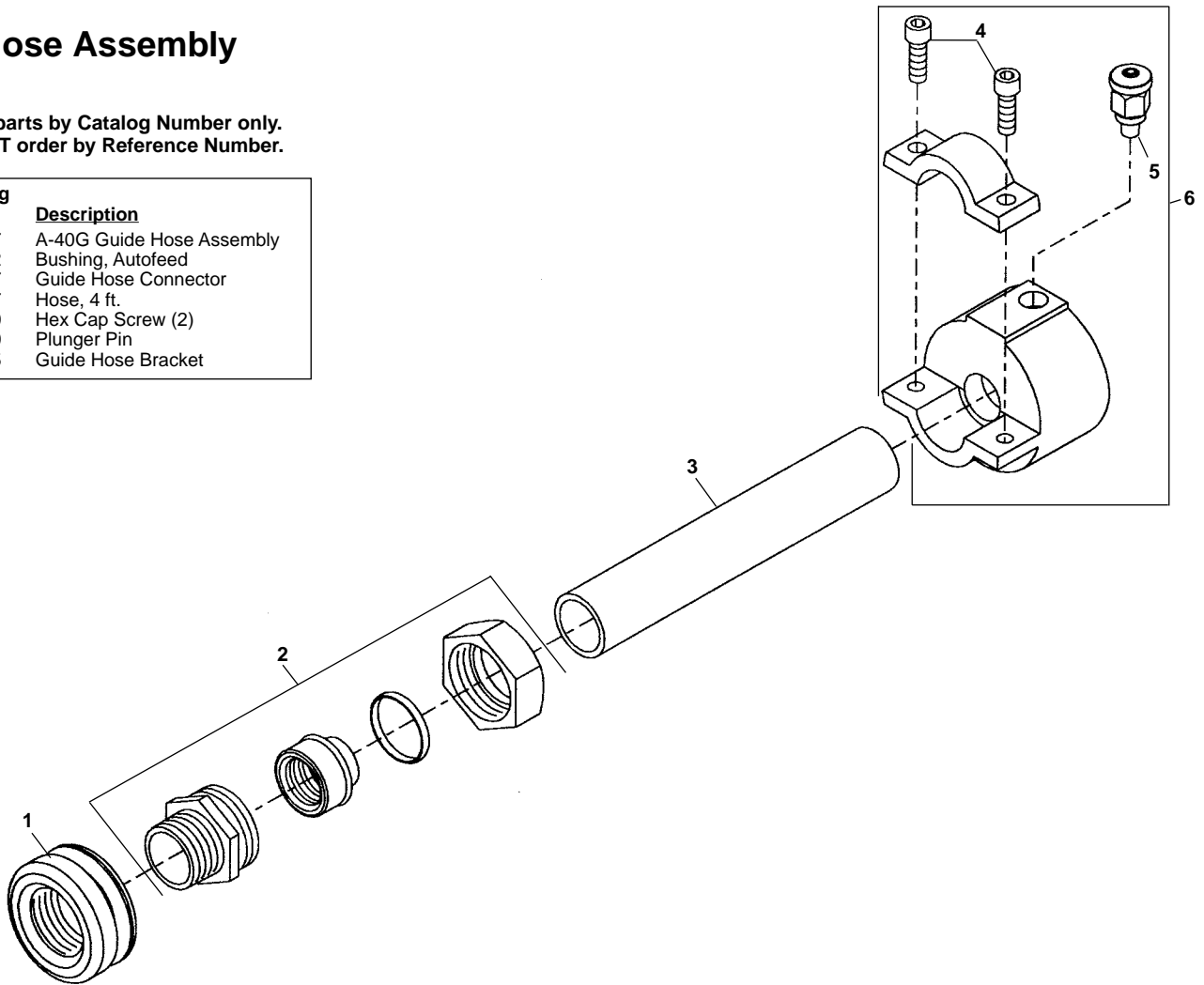
- 1) Apply Texclad #2 grease to the following areas:
  - A) Top surface and threads of item #15 (Top Adjustment Screw)
  - B) Outside Dia. of item #13 (Top Roller Holder)
- 2) Locate slot in Roll Pin item #12 at six-o'clock position and press to dimension shown



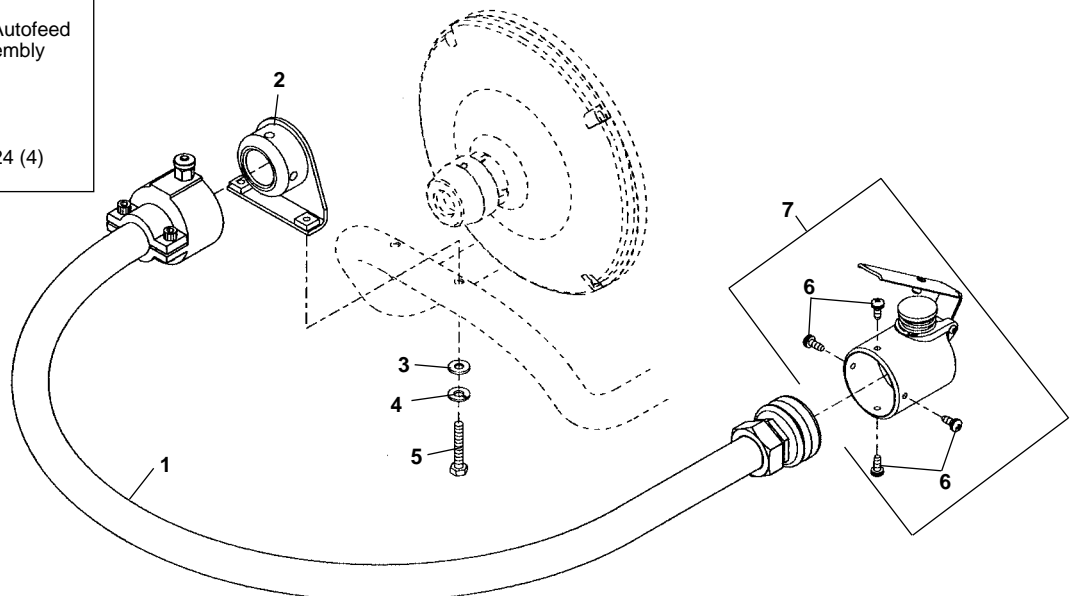
**Guide Hose Assembly**

**NOTE: Order parts by Catalog Number only.  
DO NOT order by Reference Number.**

| Ref. No. | Catalog No. | Description               |
|----------|-------------|---------------------------|
| —        | 71757       | A-40G Guide Hose Assembly |
| 1        | 72472       | Bushing, Autofeed         |
| 2        | 72477       | Guide Hose Connector      |
| 3        | 72467       | Hose, 4 ft.               |
| 4        | 40910       | Hex Cap Screw (2)         |
| 5        | 59510       | Plunger Pin               |
| 6        | 59815       | Guide Hose Bracket        |

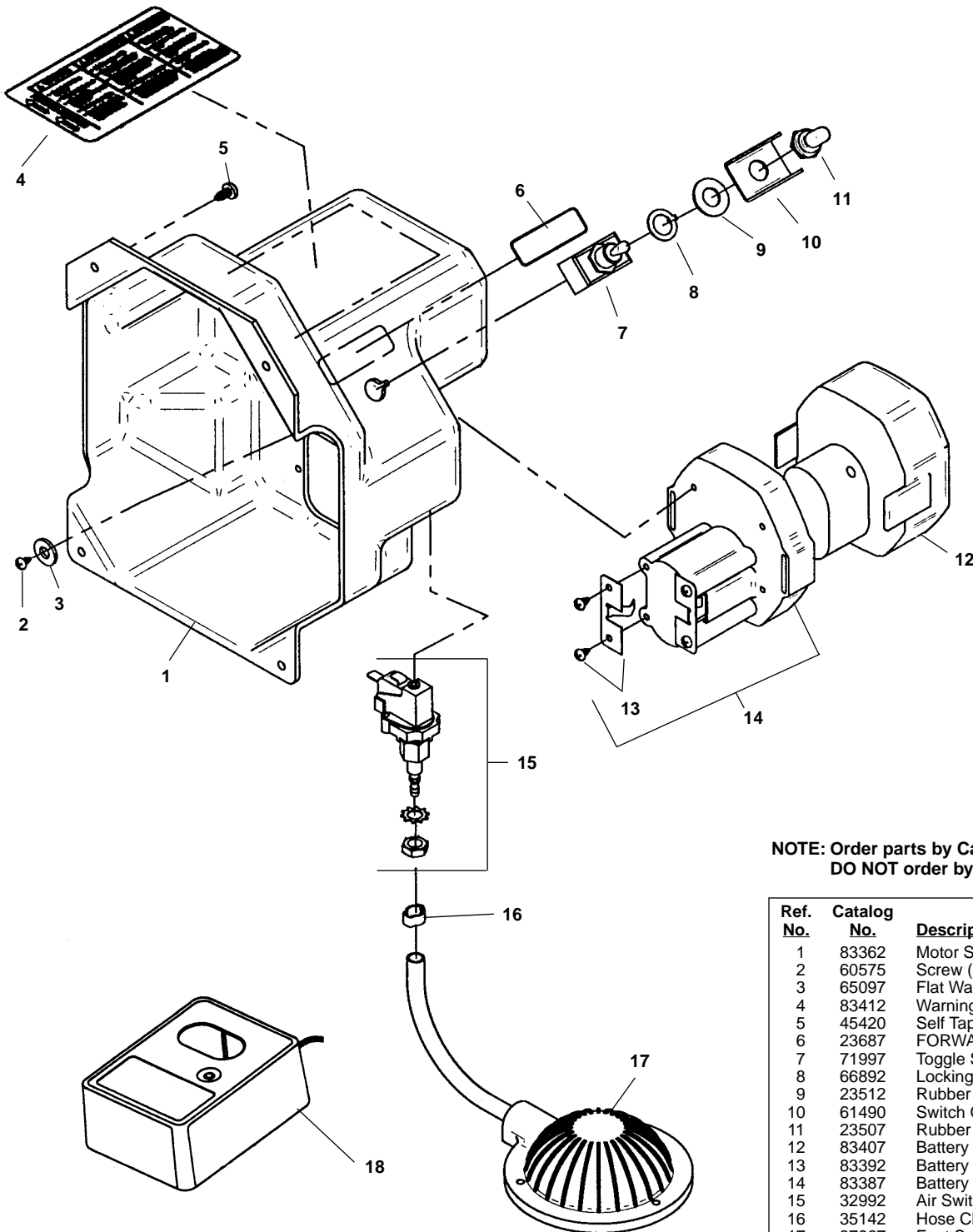


| Ref. No. | Catalog No. | Description                  |
|----------|-------------|------------------------------|
| —        | 71762       | A-40G PF Guide Hose/Autofeed |
| 1        | 71757       | A-40G Guide Hose Assembly    |
| 2        | 72012       | Bracket                      |
| 3        | 84720       | 1/4" Flat Washer (2)         |
| 4        | 60075       | 1/4" Lock Washer (2)         |
| 5        | 73132       | 1/4" - 20 Hex Bolt (2)       |
| 6        | 68937       | Pan Head Screw #10 - 24 (4)  |
| 7        | 67962       | A-39PF Autofeed              |





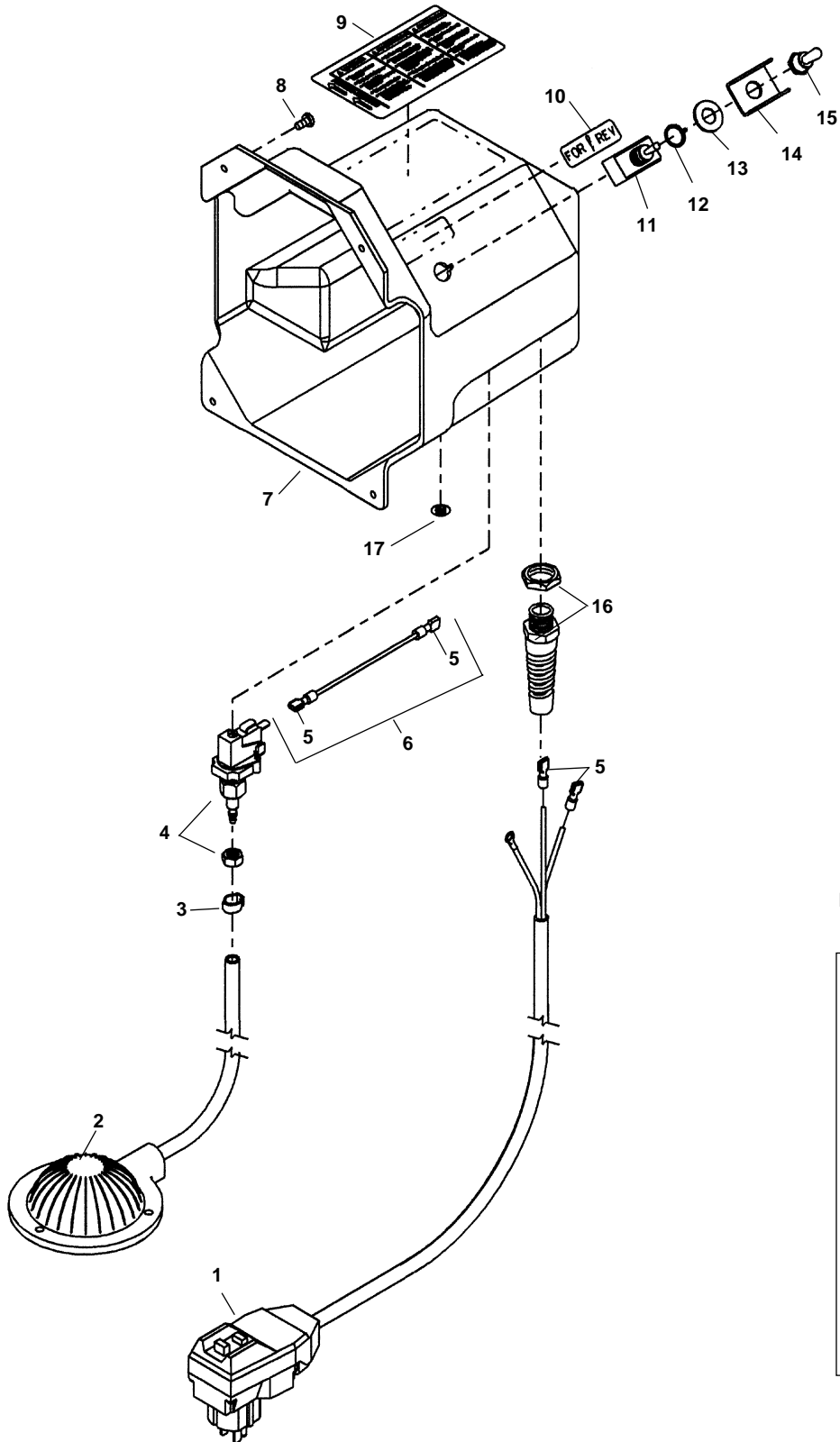
**Electric Components**



**NOTE: Order parts by Catalog Number only.  
DO NOT order by Reference Number.**

| Ref. No. | Catalog No. | Description                     |
|----------|-------------|---------------------------------|
| 1        | 83362       | Motor Shroud                    |
| 2        | 60575       | Screw (4)                       |
| 3        | 65097       | Flat Washer #6                  |
| 4        | 83412       | Warning Label                   |
| 5        | 45420       | Self Tapping Screw #10 - 24 (8) |
| 6        | 23687       | FORWARD/REVERSE Label           |
| 7        | 71997       | Toggle Switch                   |
| 8        | 66892       | Locking Ring                    |
| 9        | 23512       | Rubber Washer                   |
| 10       | 61490       | Switch Guard                    |
| 11       | 23507       | Rubber Boot                     |
| 12       | 83407       | Battery 14.4V                   |
| 13       | 83392       | Battery Clips w/Screws          |
| 14       | 83387       | Battery Socket Assembly         |
| 15       | 32992       | Air Switch                      |
| 16       | 35142       | Hose Clamp                      |
| 17       | 37967       | Foot Switch Assembly            |
| 18       | 83417       | Charger 115V                    |

**Electric Components**



**NOTE: Order parts by Catalog Number only.  
DO NOT order by Reference Number.**

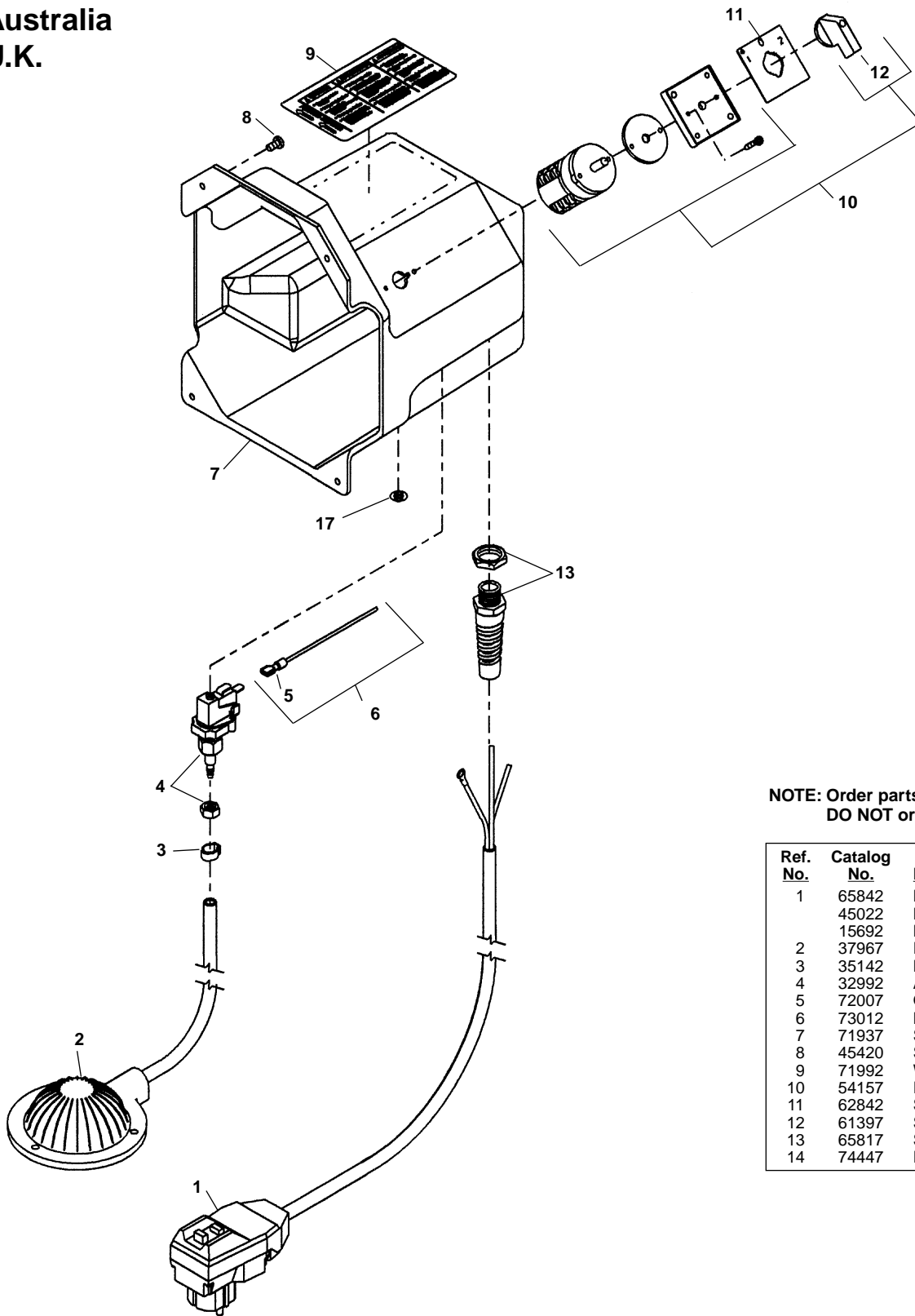
| Ref. No. | Catalog No. | Description                     |
|----------|-------------|---------------------------------|
| 1        | 72002       | Line Cord w/GFCI - 115V         |
|          | 66882       | Line Cord - 100V Japan          |
|          | 15707       | Line Cord - 230V Export         |
| 2        | 37967       | Foot Switch Assembly            |
| 3        | 35142       | Hose Clamp                      |
| 4        | 32992       | Air Switch                      |
| 5        | 72007       | Quick Disconnect (4)            |
| 6        | 73012       | Lead Wire                       |
| 7        | 71937       | Shroud                          |
| 8        | 45420       | Self Tapping Screw #10 - 24 (8) |
| 9        | 71992       | Warning Label                   |
| 10       | 23687       | FORWARD/REVERSE Label           |
| 11       | 71997       | Toggle Switch                   |
| 12       | 66892       | Locking Ring                    |
| 13       | 23512       | Rubber Washer                   |
| 14       | 61490       | Switch Guard                    |
| 15       | 23507       | Rubber Boot                     |
| 16       | 65817       | Strain Relief                   |
| 17       | 74447       | Plug                            |

**Electrical Components**

Europe

Australia

U.K.

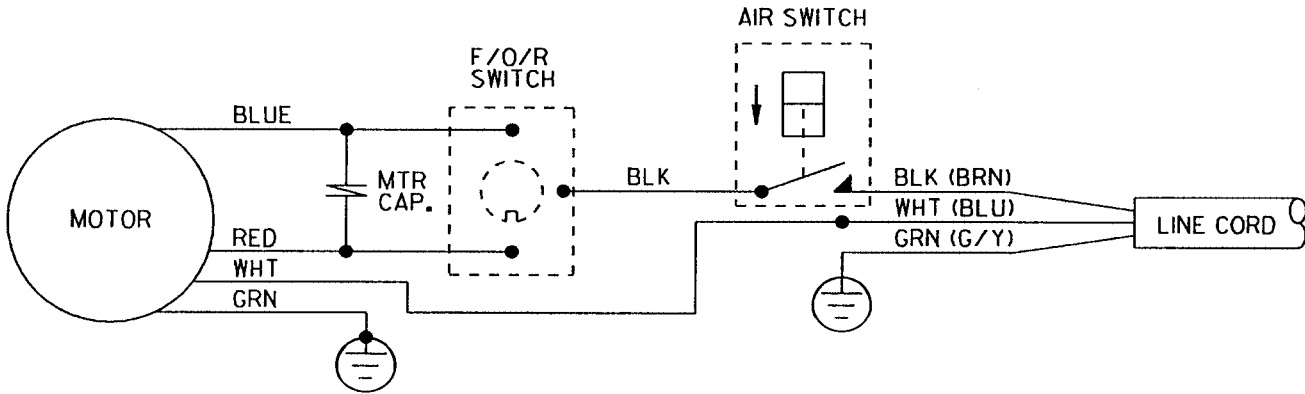


**NOTE: Order parts by Catalog Number only.  
DO NOT order by Reference Number.**

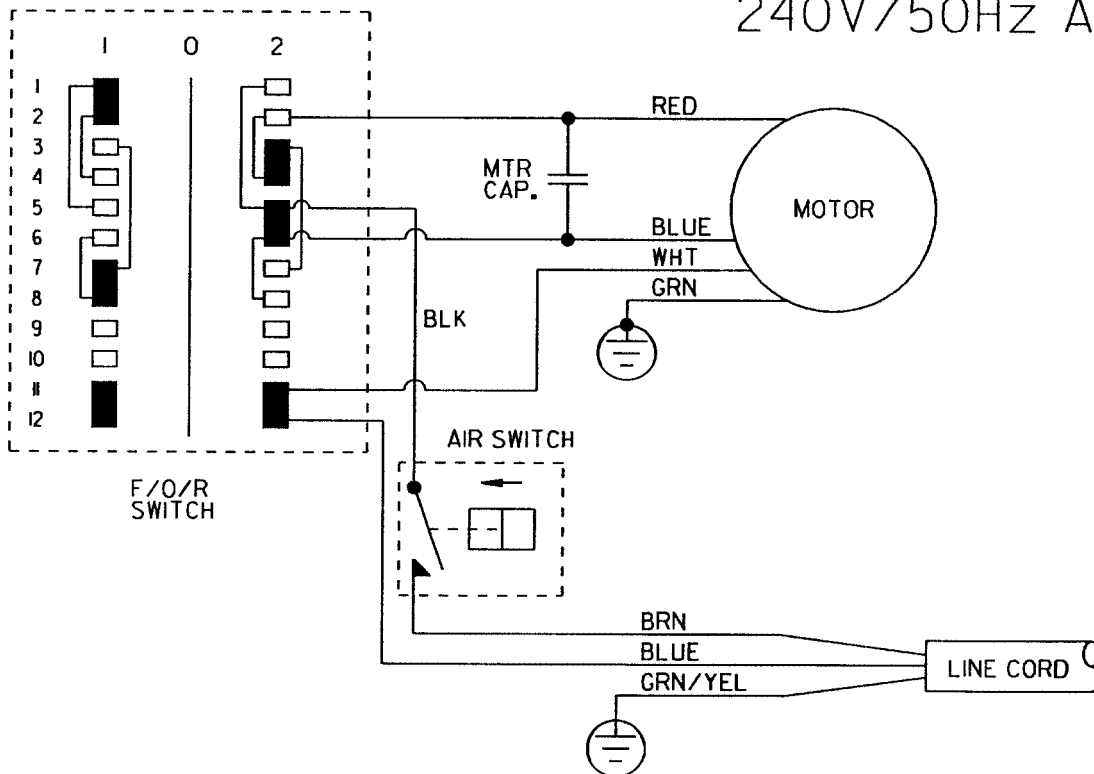
| Ref. No. | Catalog No. | Description                     |
|----------|-------------|---------------------------------|
| 1        | 65842       | Line Cord w/GFCI-220V Europe    |
|          | 45022       | Line Cord w/Plug 110V U.K.      |
|          | 15692       | Line Cord w/Plug 240V Australia |
| 2        | 37967       | Foot Switch Assembly            |
| 3        | 35142       | Hose Clamp                      |
| 4        | 32992       | Air Switch                      |
| 5        | 72007       | Quick Disconnect                |
| 6        | 73012       | Lead Wire                       |
| 7        | 71937       | Shroud                          |
| 8        | 45420       | Self Tapping Screw #10 - 24 (8) |
| 9        | 71992       | Warning Label                   |
| 10       | 54157       | Rotary Switch                   |
| 11       | 62842       | Switch Plate                    |
| 12       | 61397       | Switch Knob                     |
| 13       | 65817       | Strain Relief                   |
| 14       | 74447       | Plug                            |

**K-40 Wiring**

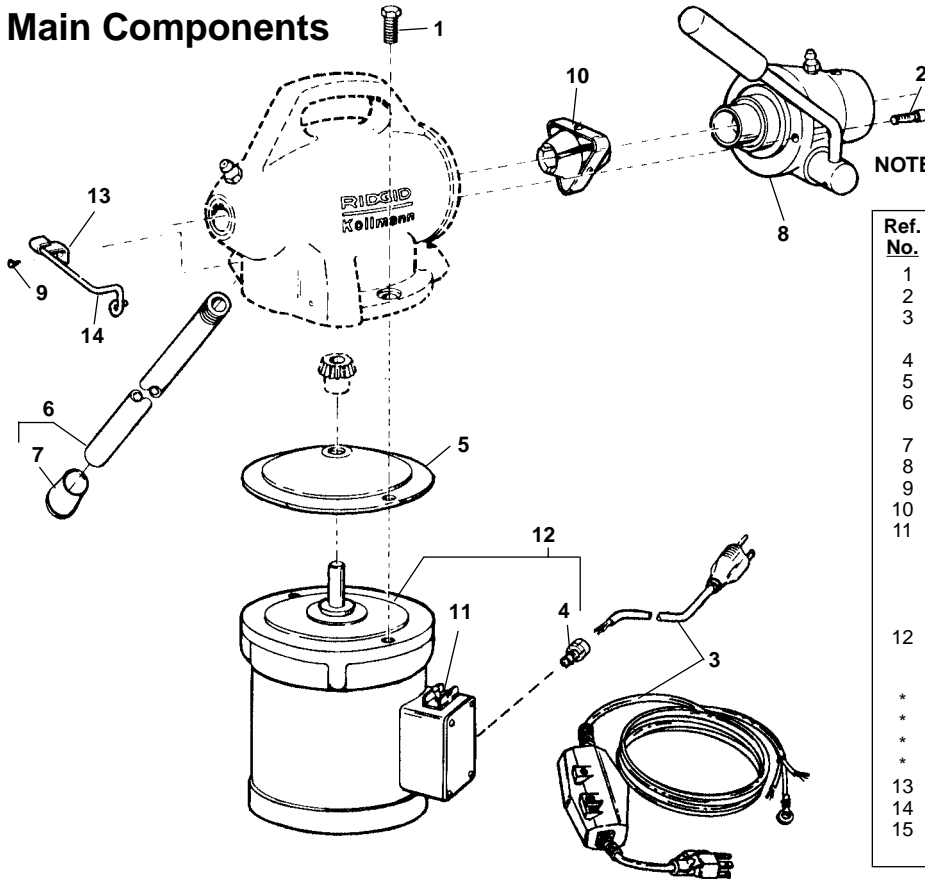
MOTOR WIRING DIAGRAM  
 115V/60Hz  
 230V/50Hz EXPORT  
 100V/50-60Hz JAPAN



MOTOR WIRING DIAGRAM  
 230V/50Hz EUROPE  
 240V/50Hz AUSTRALIA



**Main Components**

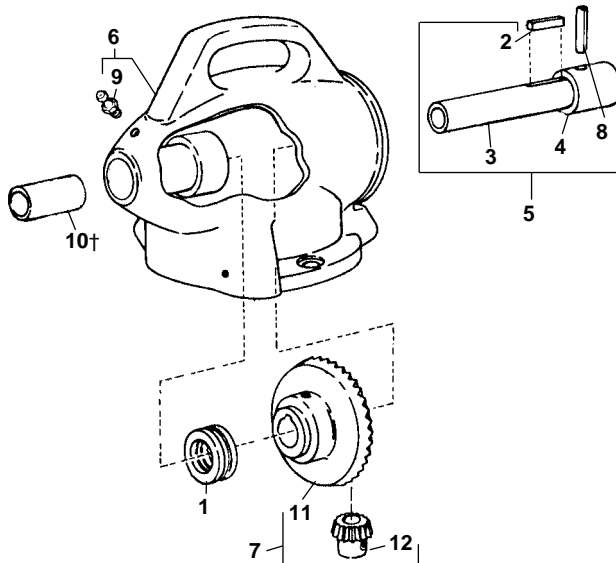


**NOTE: Order parts by Catalog Number only. DO NOT order by Reference Number.**

| Ref. No. | Catalog No. | Description   |
|----------|-------------|---|
| 1        | 59785       | Screw (2)   |
| 2        | 60910       | Screw (2)   |
| 3        | 50507       | Cord with GFCI  |
|          | 27656       | Cord (Europe)   |
| 4        | 41147       | Strain Relief   |
| 5        | 61935       | Insulating Motor Gasket                                     |
| 6        | 59825       | Legs w/Rubber Feet (3 per set)<br>(Incl. Ref. No. 7)        |
| 7        | 59965       | A-2240 Rubber Feet (3)                                      |
| 8        | 59975       | A-2244-X Rack and Pinion Assembly                           |
| 9        | 59990       | A-2256 Screw (2)  |
| 10       | 59450       | A-3179 Clutch Jaw Assembly                                  |
| 11       | 95845       | Switch DPDT - 6 Terminal<br>(Emerson Motor)                 |
|          | 41817       | Switch 3PDT - 9 Terminal<br>(Emerson Motor)                 |
|          | 24236       | Switch (Europe)   |
| 12       | 69265       | Motor Assembly - 115V<br>(Incl. Ref. Nos. 4 and 11)         |
|          | 16716       | Motor Assembly (230V Europe)                                |
| *        | 31336       | Motor Shaft Seal (Europe)                                   |
| *        | 31346       | Switch Cover (Europe)                                       |
| *        | 24246       | Switch Box (Europe)   |
| *        | 29976       | Run Capacitor (Europe)                                      |
| 13       | 89800       | Catch   |
| 14       | 89805       | Pin   |
| 15       | 84507       | K-50 Contact Switch<br>(Emerson Motor Only -Part Not Shown) |

\* Parts Not Shown - Europe Only

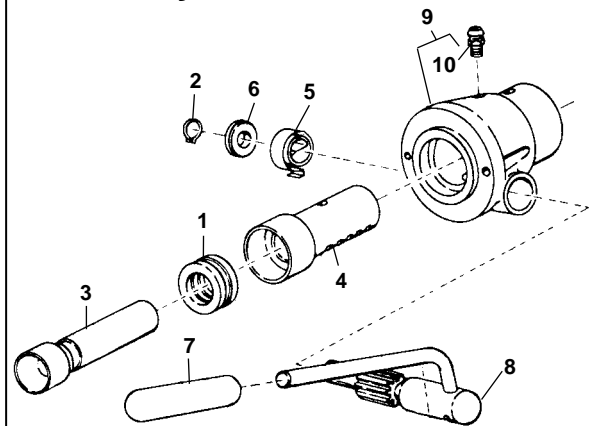
**Bevel Gear and Related Parts**



| Ref. No. | Catalog No. | Description     | Ref. No. | Catalog No. | Description                        |
|----------|-------------|-----------------|----------|-------------|------------------------------------|
| 1        | 59945       | Bearing         | 7        | 60985       | Bevel and Pinion Gear w/Set Screws |
| 2        | 60680       | Key             | 8        | 76830       | Spring Pin                         |
| 3        | 61570       | Shaft           | 9        | 89810       | Grease Fitting                     |
| 4        | 61575       | Cone            | 10†      | 61715       | Bronze Bushing                     |
| 5        | 59695       | Shaft with Cone | 11       | 24577       | Bevel Gear w/Key                   |
| 6        | 59960       | Body            | 12       | 24572       | Pinion Gear w/Key                  |

† Service Note: After replacing Bronze Bushing a 1/4" drill bit must be used for drilling a grease hole port for grease fitting.

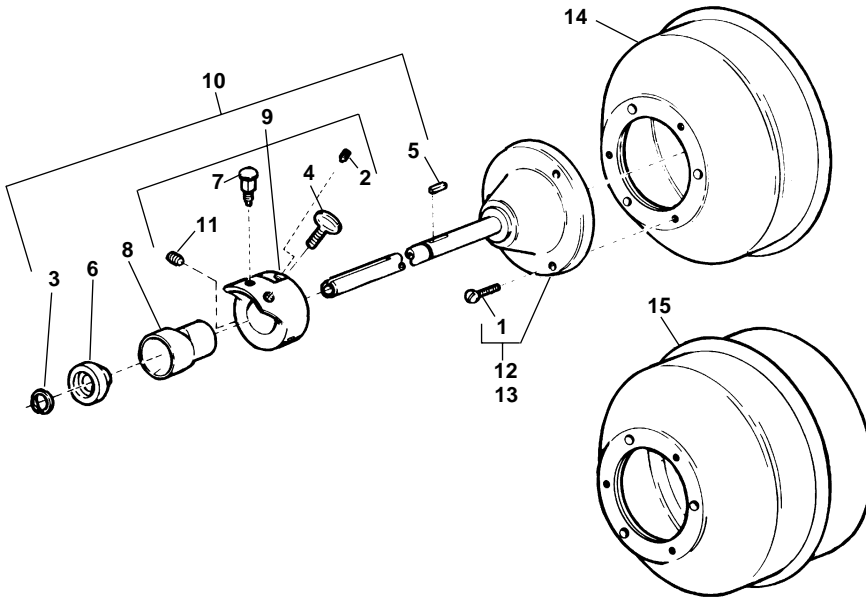
**Rack and Pinion Assembly No. A-2244**



| Ref. No. | Catalog No. | Description                                    |
|----------|-------------|--|
| —        | 59975       | Rack & Pinion Assembly                         |
| 1        | 59945       | Bearing  |
| 2        | 60860       | Retaining Ring                                 |
| 3        | 61580       | Rear Clutch Cone Sleeve                        |
| 4        | 61585       | Gear Rack                                      |
| 5        | 61595       | Pinion Spring                                  |
| 6        | 61600       | Pinion Stem Washer                             |
| 7        | 61605       | Handle Grip                                    |
| 8        | 59980       | Handle with Pinion Assembly                    |
| 9        | 60965       | Rack and Pinion Housing<br>(Incl. Ref. No. 10) |
| 10       | 89810       | Grease Fitting                                 |

**Cable Adapters**

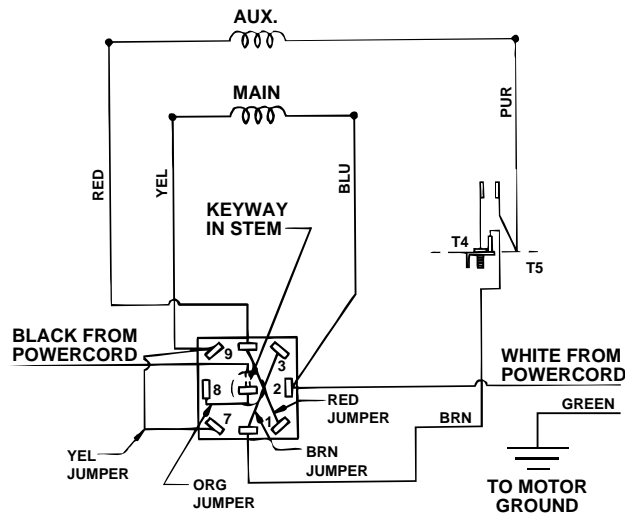
| Cable No. | Description  |
|-----------|--|
| 59250     | A-17-A Cable Adapter (Includes C-1 Cable - 5/16" x 25' long with Bulb Auger)       |
| 59245     | A-17-A Cable Adapter - Less Cable  |
| 59255     | A-17-B Cable Adapter (Includes C-5 Cable - 3/8" x 35' long with Bulb Auger)        |
| 59260     | A-17-B Cable Adapter - Less Cable  |
| 59265     | A-17-C Cable Adapter (Includes C-6 Cable - 3/8" x 35' long with Male Coupling)     |
| 59260     | A-17-C Cable Adapter - Less Cable  |
| 92095     | A-17-D Cable Adapter (Includes C-21 Cable - 5/16" x 50' long with Bulb Auger)      |
| 92100     | A-17-E Cable Adapter (Includes C-22 Cable - 5/16" x 50' long with Drop Head Auger) |



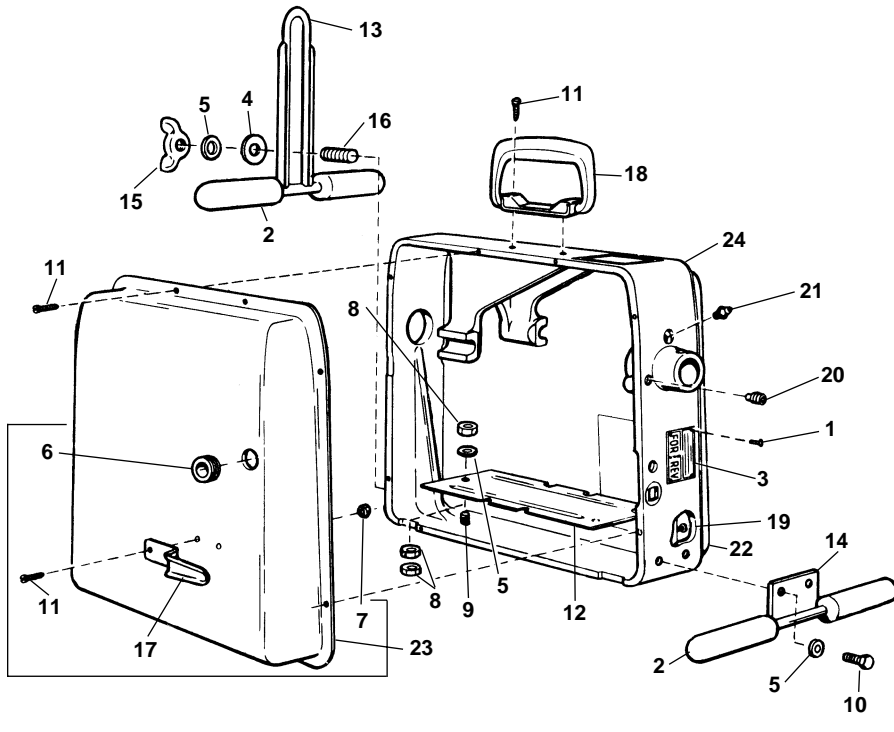
**NOTE: Order parts by Catalog Number only. DO NOT order by Reference Number.**

| Ref. No. | Catalog No. | Description  |
|----------|-------------|--|
| 1        | 61540       | Screw (3)  |
| 2        | 61550       | Screw  |
| 3        | 61555       | Retaining Ring   |
| 4        | 79935       | Thumb Screw (2)  |
| 5        | 61565       | Key  |
| 6        | 61735       | Brake Cone (Male)  |
| 7        | 59510       | Plunger Pin  |
| 8        | 59630       | Brake Cone (Female)  |
| 9        | 59760       | Adapter Bracket  |
| 10       | 59790       | Adapter Bracket Assembly (Incl. Ref. Nos. 7, 4, 2 and 11)            |
| 11       | 60025       | Screw (2)  |
| 12       | 60325       | Tube and Flange with Screws (5/16" Cable Adapter) (Incl. Ref. No. 1) |
| 13       | 60335       | Tube and Flange with Screws (3/8" Cable Adapter) (Incl. Ref. No. 1)  |
| 14       | 63255       | Cable Container (5/16" x 25' Cable Only)                             |
| 15       | 63250       | Cable Container (3/8" x 35' and 5/16" x 50' Cable)                   |

**K-50 Wiring Diagram**



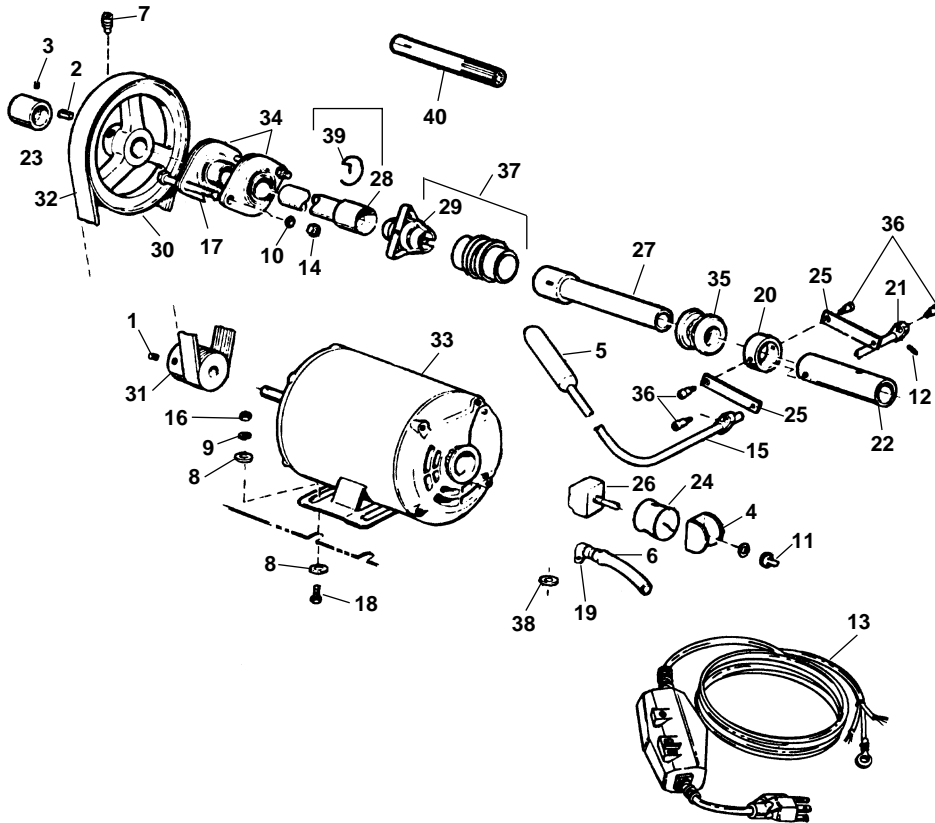
**Main Body Components (Old Style)**



**NOTE: Order parts by Catalog Number only.  
DO NOT order by Reference Number.**

| Ref. No. | Catalog No. | Description             |
|----------|-------------|-------------------------|
| 1        | 61480       | A-413 Drive Screw (4)   |
| 2        | 61605       | A-580 Rubber Grip (4)   |
| 3        | 59605       | A-1565 FOR/OFF/REV Tag  |
|          | 39552       | FOR/REV Plate PR0-60    |
| 4        | 60060       | A2284 Washer (6)        |
| 5        | 60080       | A2289 Lock Washer (7)   |
| 6        | 60180       | A2345 Rubber Grommet    |
| 7        | 60810       | A2838 Hex Nut (4)       |
| 8        | 61115       | A3248 Hex Nut (13)      |
| 9        | 61125       | A3250 Stud (3)          |
| 10       | 61130       | A3251 Screw (2)         |
| 11       | 61135       | A3256 Screw (23)        |
| 12       | 61155       | A3282 Motor Mount       |
| 13       | 61160       | A3288 Elevator Bracket  |
| 14       | 61200       | A3296 Rear Leg Assembly |
| 15       | 61235       | A3306 Wing Nut (2)      |
| 16       | 61245       | A3308 Stud (2)          |
| 17       | 61250       | A3311 Cord Hook (2)     |
| 18       | 61255       | A3313 Handle            |
| 19       | 61285       | A3377 Screw (Brass)     |
| 20       | 76910       | A3904 Set Screw         |
| 21       | 89810       | A6150 Grease Fitting    |
| 22       | 62160       | B3277 Cover (Right)     |
| 23       | 62165       | B3312 Cover (Left)      |
| 24       | 62480       | D3276 Body Casting      |

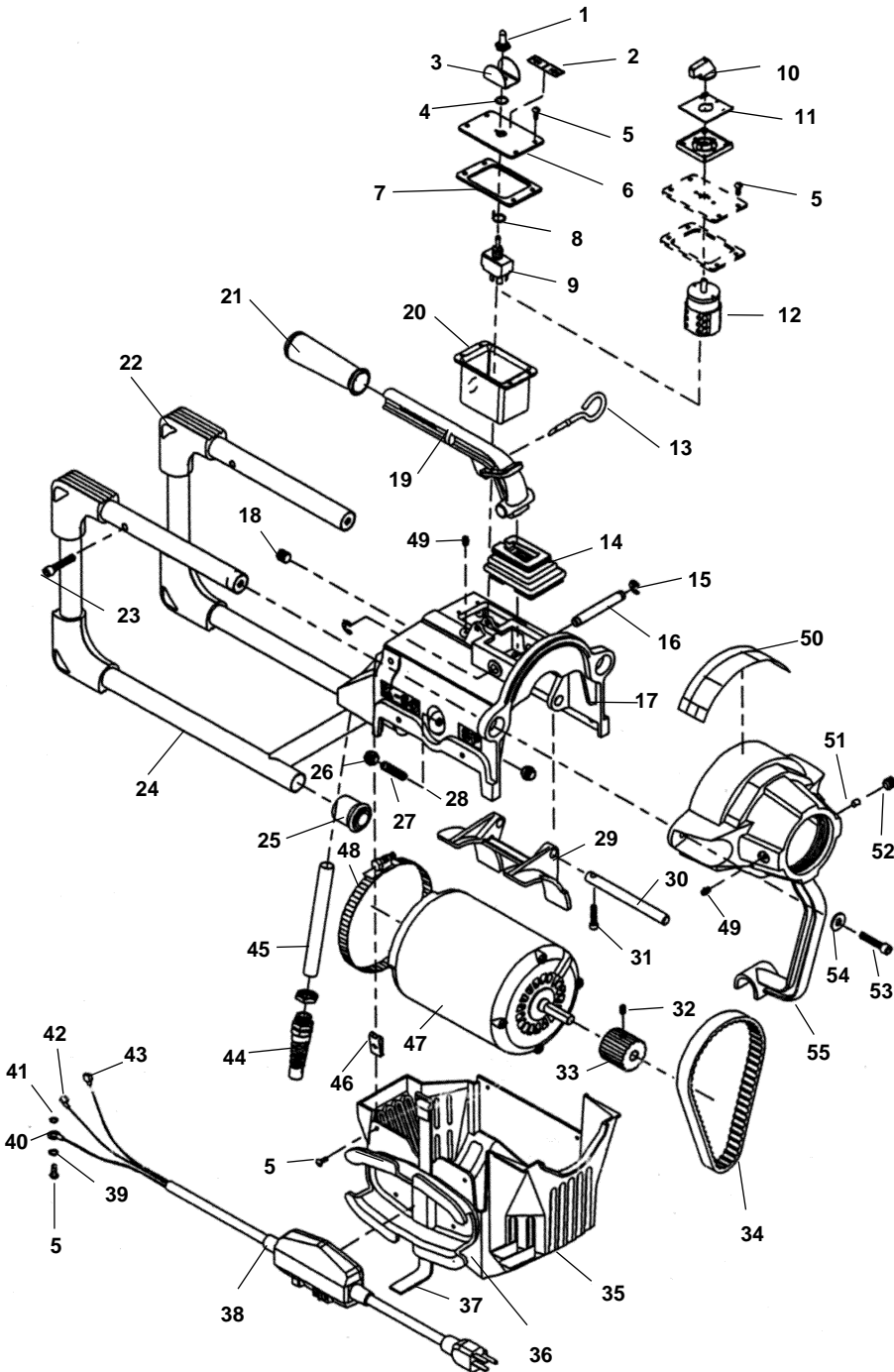
**Main Drive Components**



| Ref. No.                  | Catalog No. | Description                                 |
|---------------------------|-------------|---|
| 1                         | 60330       | A-247 Set Screw                             |
| 2                         | 60680       | A-270 Key                                   |
| 3                         | 61475       | A-412 Set Screw (2)                         |
| 4                         | 61490       | A-418 Switch Guard                          |
| 5                         | 61605       | A-580 Rubber Grip                           |
| 6                         | 59720       | A-1946 Cord Sleeve                          |
|                           | 13187       | Cord Sleeve PR0-60                          |
| 7                         | 60025       | A-2271 Set Screw                            |
| 8                         | 60060       | A-2284 Washer (8)                           |
| 9                         | 60080       | A-2289 Lock Washer (4)                      |
| 10                        | 60085       | A-2290 Lock Washer (2)                      |
| 11                        | 23507       | Switch Seal PR0-60                          |
| 12                        | 60240       | A-2417 Spring Pin                           |
| 13                        | 50507       | Power Cord w/GFCI                           |
| 14                        | 60395       | A-2492 Hex Nut (2)                          |
| 15                        | 61105       | A-3246 Handle Assembly                      |
| 16                        | 61115       | A-3248 Hex Nut (4)                          |
| 17                        | 61120       | A-3249 Bolt (2)                             |
| 18                        | 96260       | A-7359 Carriage Bolt (4)                    |
| 19                        | 61140       | A-3275 Clamp                                |
| 20                        | 69260       | A-3281 Collar                               |
| 21                        | 61145       | A-3283 Lever                                |
| 22                        | 61150       | A-3284 Bearing                              |
| 23                        | 61165       | A-3289 Sleeve                               |
| 24                        | 39762       | Shrink Tube PR0-60                          |
| 25                        | 61175       | A-3291 Link (2)                             |
| 26                        | 61180       | A-3292 Switch Assembly                      |
| 27                        | 61185       | A-3293 Shaft Cone Idler                     |
| 28                        | 61190       | A-3294 Shaft Cone Drive (Incl. Ref. No. 39) |
| 29                        | 61195       | A-3295 Clutch Assembly                      |
| 30                        | 61205       | A-3299 Pulley (Driven)                      |
| 31                        | 61210       | A-3300 Pulley (Drive)                       |
| 32                        | 61215       | A-3301 Belt                                 |
| 33                        | 61220       | A-3302 Motor (115V)                         |
|                           | 76790       | A-3245 Motor (230V) PRO-60                  |
| 34                        | 61225       | A-3303 Ball Bearing (2)                     |
| 35                        | 61230       | A-3304 Thrust Bearing                       |
| 36                        | 61240       | A-3307 Screw (4)                            |
| 37                        | 39757       | Clutch Assy. w/Boot PR0-60                  |
| 38                        | 61310       | A-3439 Lock Washer                          |
| 39                        | 97315       | A-7109 Drive Spring                         |
| 40                        | 61640       | A-3270 Collet                               |
| Following Parts not shown |             |   |
|                           | 59955       | A-2234 Terminal (3)                         |
|                           | 61270       | A-3327 Wire (4)                             |

**Main Body Components**

**NOTE: Order parts by Catalog Number only.  
DO NOT order by Reference Number.**

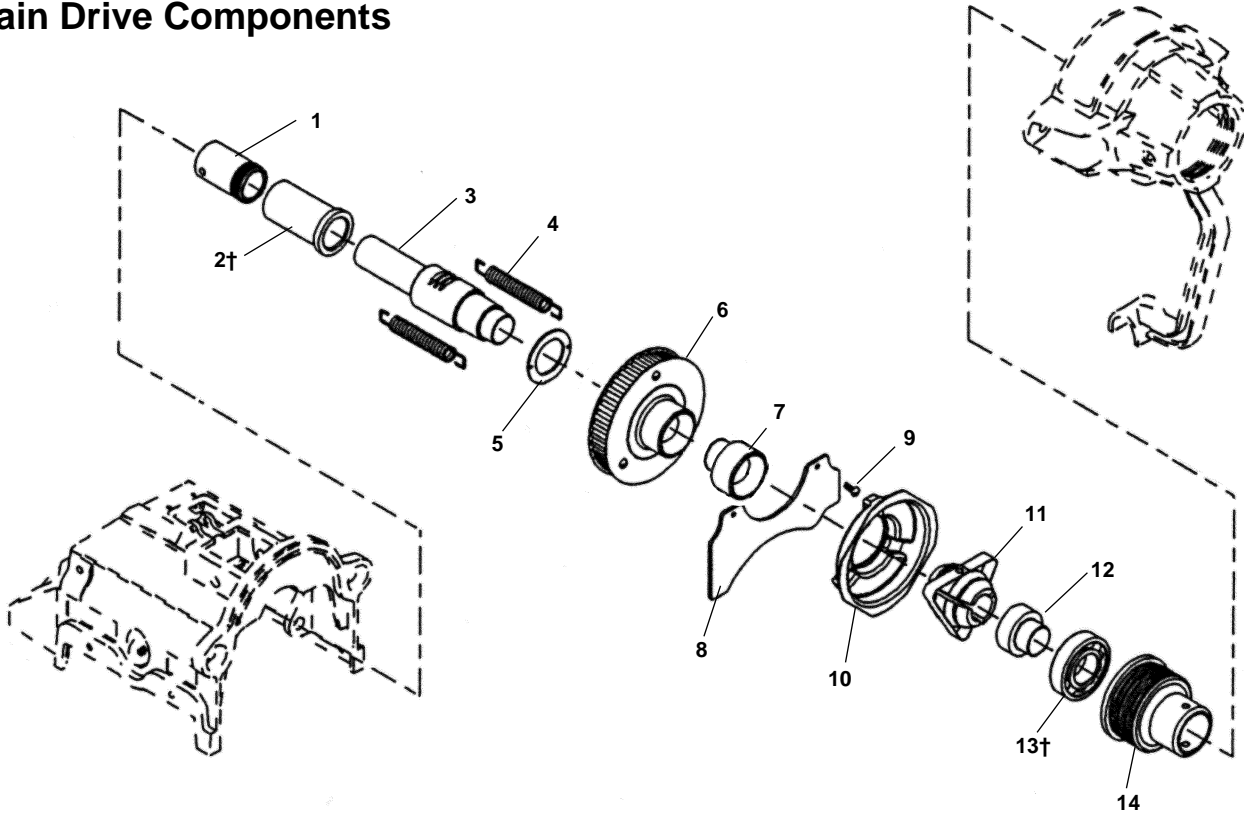


| Ref. No. | Catalog No. | Description                                     |
|----------|-------------|---|
| 1        | 23507       | Rubber Boot                                     |
| 2        | 23687       | FOR/OFF/REV Decal                               |
| 3        | 61490       | Switch Guard                                    |
| 4        | 23512       | Rubber Washer                                   |
| 5        | 93585       | 10 - 24 x 1/2" Screw (9)                        |
| 6        | 65762       | Switch Box Cap                                  |
| 7        | 66887       | Gasket  |
| 8        | 66892       | Locking Ring                                    |
| 9        | 23612       | Toggle Switch                                   |
| 10       | 61397       | Switch Knob (Export)                            |
| 11       | 57517       | FOR/OFF/REV Switch Plate (Export)               |
| 12       | 54157       | Switch (Export)                                 |
| 13       | 59225       | Pin Key   |
| 14       | 65852       | Rubber Boot                                     |
| 15       | 65742       | Retaining Rings (2)                             |
| 16       | 65737       | Pinion Shaft                                    |
| 17       | 65732       | Main Housing Assembly                           |
| 18       | 65867       | Plastic Socket Set Screw                        |
| 19       | 65747       | Handle Assembly w/Grip                          |
| 20       | 65757       | Switch Box                                      |
| 21       | 60827       | Handle Grip                                     |
| 22       | 65772       | Frame Bumpers (4)                               |
| 23       | 79685       | 5/16" - 18 x 1 1/2" Socket Screw (4)            |
| 24       | 65767       | Frame Assembly w/Bumpers                        |
| 25       | 37962       | Rubber Foot (2)                                 |
| 26       | 83545       | 3/8" - 16 Hex Jam Nut                           |
| 27       | 65782       | 3/8" Stud                                       |
| 28       | 65787       | Nylon Acorn Nut                                 |
| 29       | 65792       | Motor Mounting Bracket                          |
| 30       | 65797       | Motor Mounting Pin                              |
| 31       | 59935       | 1/4" - 20 x 1" Socket Screw                     |
| 32       | 87580       | 1/2" - 20 Set Screw                             |
| 33       | 65807       | Motor Pulley                                    |
| 34       | 65802       | Belt  |
| 35       | 65822       | Motor Shroud w/Cord Wrap (Inc. Ref No. 46)      |
| 36       | 66907       | Cord Wrap w/Rivets                              |
| 37       | 48007       | Cinching Strap                                  |
| 38       | 50497       | Replacement GFI Cord                            |
| —        | 65842       | Replacement GFI Cord (Europe)                   |
| —        | 66882       | Line Cord (Export)                              |
| —        | 66757       | Accessory GFCI (Europe)                         |
| 39       | 61310       | Star Washer                                     |
| 40       | 59955       | Ring Terminal                                   |
| 41       | 87970       | #10 - 24 Nut                                    |
| 42       | 59007       | Terminal  |
| 43       | 59002       | Splicer   |
| 44       | 65817       | Strain Relief w/Nut                             |
| 45       | 59342       | Insulator Tube                                  |
| 46       | 65857       | Clips (4)                                       |
| 47       | 65832       | Motor - 115V/60Hz                               |
| —        | 65837       | Motor - 230V/50Hz (Europe)                      |
| —        | 66872       | Motor - 115V/50Hz (Export)                      |
| 48       | 65812       | Bracket Strap (2)                               |
| 49       | 65657       | Grease Fitting (2)                              |
| 50       | 65667       | Warning Label                                   |
| —        | 65862       | Warning Label (Export)                          |
| 51       | 65662       | Nylon Plug                                      |
| 52       | 42037       | 1/2" - 13 x 1/2" Screw                          |
| 53       | 79685       | 1/2" x 1 1/2" Socket Screw (2)                  |
| 54       | 60060       | Washer (2)                                      |
| 55       | 65652       | Jaw Housing Assembly (Inc. Ref. #'s 49, 51, 52) |

† - Apply Loctite® #411 to Frame Bumper (Ref. #22)



**Main Drive Components**



**NOTE: Order parts by Catalog Number only.  
DO NOT order by Reference Number.**

| Ref. No. | Catalog No. | Description          | Ref. No. | Catalog No. | Description              |
|----------|-------------|----------------------|----------|-------------|--------------------------|
| 1        | 65727       | Steel Insert         | 8        | 65697       | Baffle                   |
| 2†       | 65722       | Sleeve Bearing       | 9        | 61110       | 10 - 32 x 3/8" Screw (2) |
| 3        | 65712       | Shaft w/Rack         | 10       | 65692       | Jawset Cover             |
| 4        | 65717       | Extension Spring (2) | 11       | 65687       | Clutch Jaw               |
| 5        | 65707       | Spring Plate         | 12       | 65682       | Idler Cone               |
| 6        | 65702       | Pulley Assembly      | 13†      | 65677       | Bearing (2)              |
| 7        | 66897       | Drive Cone           | 14       | 65672       | Adjustment Cap           |

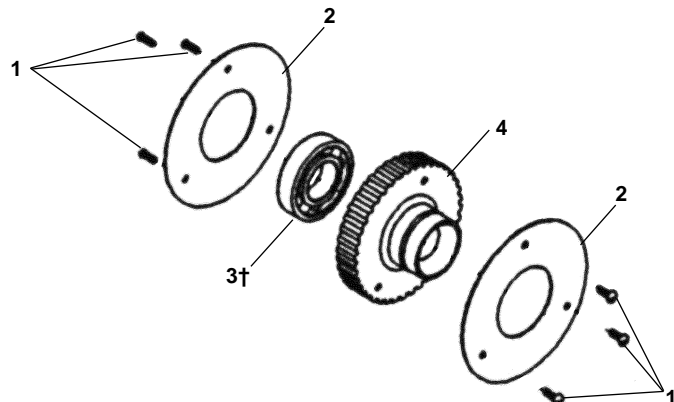
† - Apply Loctite® #642 to O.D. of Sleeve Bearing (Ref. #2).

† - Apply Loctite® #642 to I.D. of Bearing (Ref. #13) prior to assembly into Shaft w/Rack (Ref. #3) and Idler Cone (Ref. #12).

**Pulley Assembly**

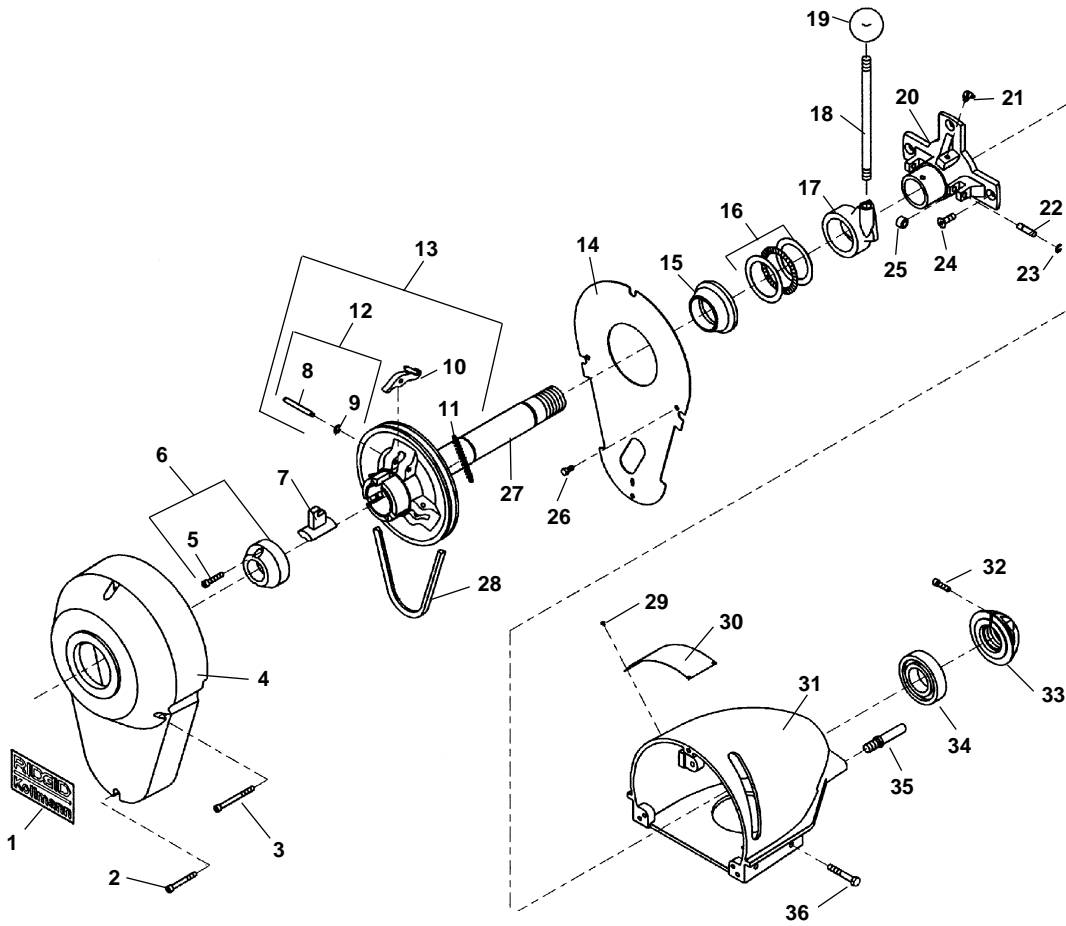
| Ref. No. | Catalog No. | Description              |
|----------|-------------|--------------------------|
| —        | 65702       | Pulley Assembly          |
| 1        | 61110       | 10 - 32 x 3/8" Screw (6) |
| 2        | 66877       | Pulley Flange (2)        |
| 3†       | 65677       | Bearing (2)              |
| 4        | 66902       | Pulley                   |

† - Apply Loctite® #642 to I.D. of Bearing (Ref. #3) prior to assembly into Shaft w/Rack (Ref. #3) and Idler Cone (Ref. #12).



**Main Components**

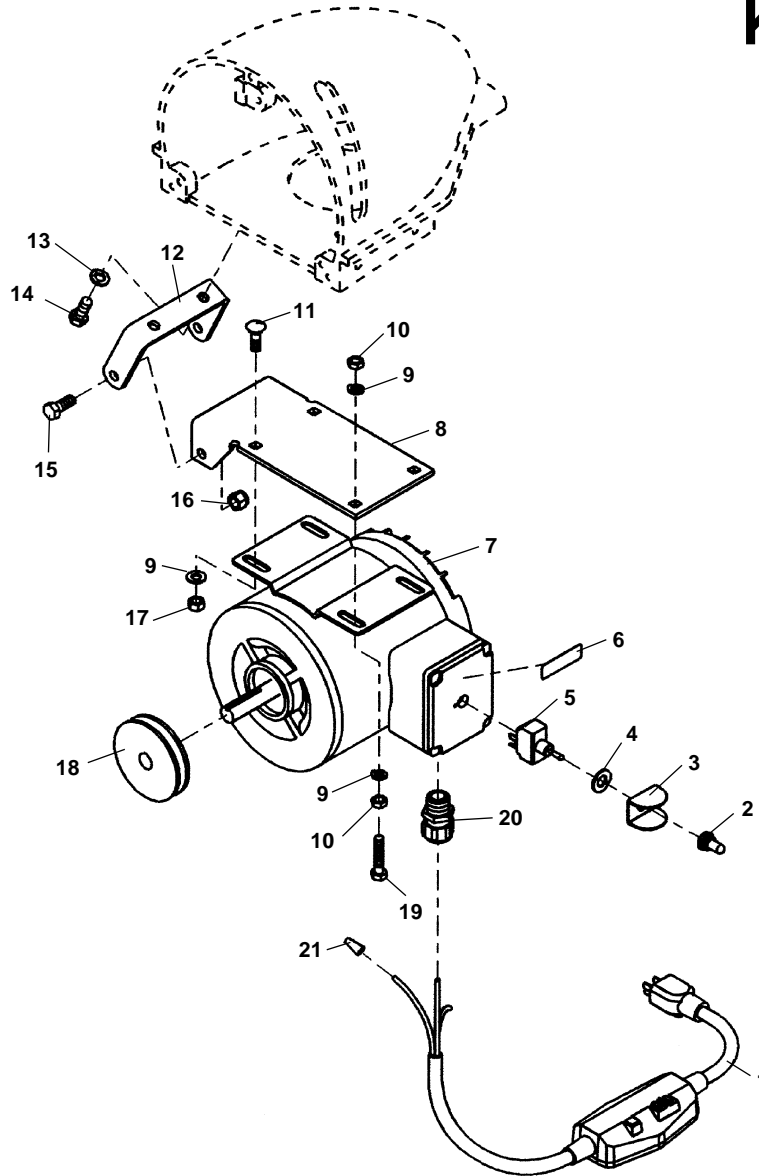
**K-75A  
K-75B  
K-1500A  
K-1500B  
K-1500ASP  
K-1500BSP**



**NOTE: Order parts by Catalog Number Only.  
DO NOT order by Reference Number.**

| Ref. No. | Catalog No. | Description                           | Ref. No. | Catalog No. | Description                    |
|----------|-------------|---------------------------------------|----------|-------------|--------------------------------|
| 1        | 23657       | Label (K-75A)                         | 18       | 59575       | Clutch Handle                  |
|          | 24102       | Label (K-75B)                         | 19       | 59585       | Clutch Knob                    |
|          | 23662       | Label (K-1500A)                       | 20       | 23552       | Main Bearing                   |
|          | 24097       | Label (K-1500B)                       | 20       | 45247       | Main Bearing (SP Models Only)  |
|          | 45232       | Label (SP Models Only)                | 21       | 89815       | Grease Fittings                |
| 2        | 44510       | Screw                                 | 22       | 23592       | Pin (2)                        |
| 3        | 23652       | Screw (3)                             | 23       | 34175       | Retaining Ring (2)             |
| 4        | 23547       | Front Guard                           | 24       | 68875       | Screw (3)                      |
| 5        | 84425       | Screw (2)                             | 25       | 61015       | Roller (2)                     |
| 6        | 59500       | Nose Piece (Incl. Ref. #29)           | 26       | 60265       | Screw (2)                      |
| 7        | 59330       | Jaw Assembly (K-75) 5/8" Cable        | 27       | 23562       | Pulley & Shaft Assembly        |
|          | 59325       | Jaw Assembly (K-75/K-1500) 7/8" Cable | 28       | 23577       | V-Belt                         |
|          | 59320       | Jaw Assembly (K-1500) 1 1/4" Cable    | 29       | 76730       | Screw (6)                      |
| 8        | 90105       | Pin (3)                               | 30       | 23632       | Warning Label                  |
| 9        | 78780       | Retaining Ring                        |          | 45282       | Warning Label (SP Models Only) |
| 10       | 59530       | Rocker Arm Set                        | 31       | 23542       | Body                           |
| 11       | 60155       | Spring (3)                            | 32       | 60910       | Screw                          |
| 12       | 60150       | Rocker Arm Pin                        | 33       | 60935       | Lock & Adj. Nut (Incl. #2)     |
| 13       | 60145       | Rocker Arm Kit                        | 34       | 60930       | Ball Bearing                   |
| 14       | 23567       | Inside Guard                          | 35       | 59580       | Guide Hose Pin (2)             |
| 15       | 23572       | Clutch Cone                           | 36       | 87405       | Screw (4)                      |
| 16       | 23677       | Thrust Bearing Assembly               |          | 43757       | Screw (4) (SP Models Only)     |
| 17       | 23557       | Clutch Casting                        |          |             |                                |

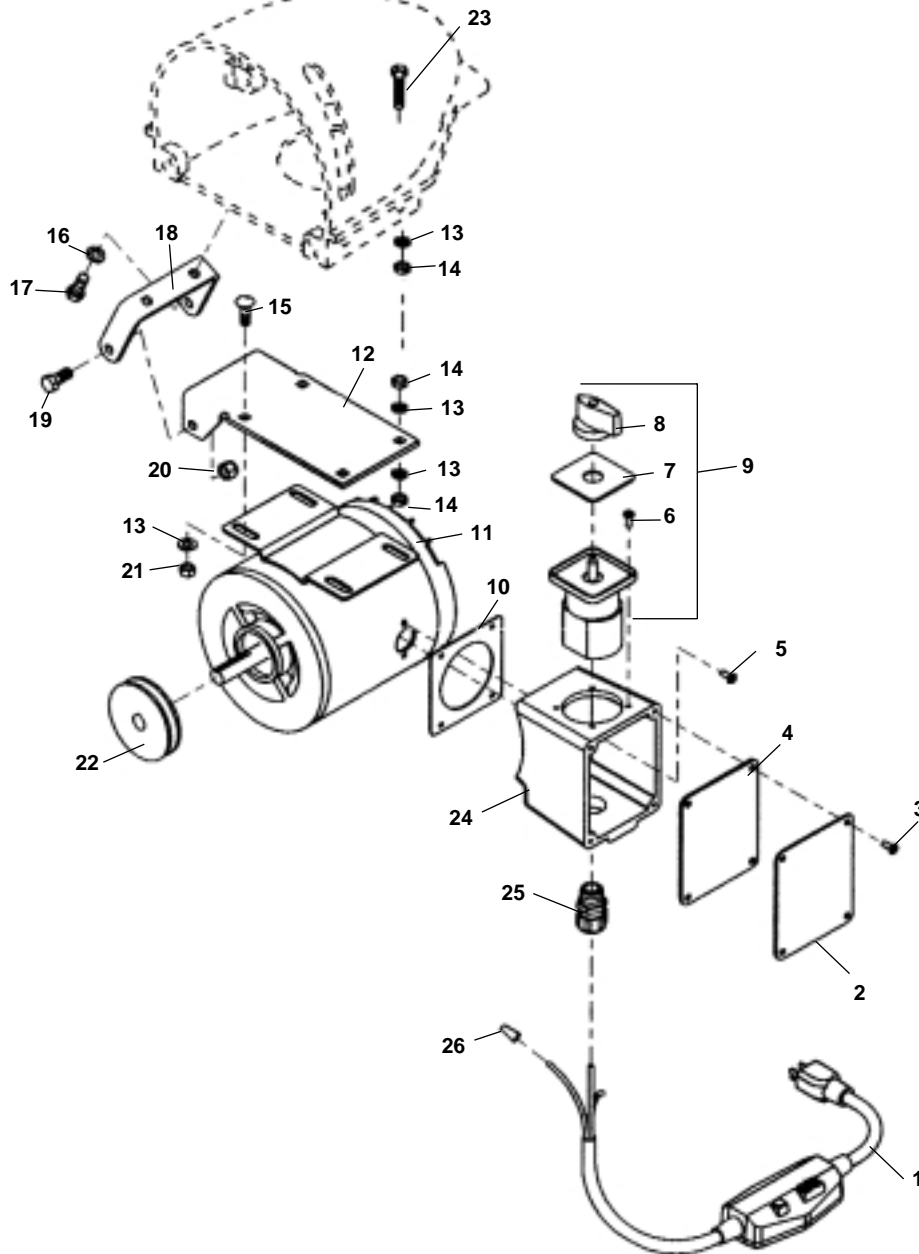
**Motor Components**



**NOTE: Order parts by Catalog Number Only.  
DO NOT order by Reference Number.**

| Ref. No. | Catalog No. | Description                                   | Ref. No. | Catalog No. | Description   |
|----------|-------------|---|----------|-------------|---|
| 1        | 50507       | Line Cord w/GFCI                              | 11       | 96260       | Carriage Bolt $\frac{5}{16}$ " - 18 x $\frac{3}{4}$ " (3) |
| 2        | 23507       | Rubber Boot                                   | 12       | 23642       | Motor Bracket   |
| 3        | 61490       | Switch Guard                                  | 13       | 60085       | Lock Washer (2)   |
| 4        | 23512       | Rubber Washer                                 | 14       | 60380       | Screw (2)   |
| 5        | 23612       | Switch  | 15       | 59785       | Screw (2)   |
| 6        | 23687       | FOR-REV Decal                                 | 16       | 43947       | Lock Nut $\frac{3}{8}$ " - 16 (2)                         |
| 7        | 23517       | Motor $\frac{1}{2}$ Hp 120V 60Hz (K-75)       | 17       | 60230       | Hex Nut $\frac{5}{16}$ " - 18 (3)                         |
|          | 23522       | Motor $\frac{3}{4}$ Hp 120V 60Hz (K-1500)     | 18       | 23582       | Pulley (K-1500)   |
|          | 50567       | Motor $\frac{3}{4}$ Hp 220/240V 50Hz (K-1500) |          | 23587       | Pulley (K-75)   |
| 8        | 54582       | Motor Table                                   | 19       | 43847       | Hex Screw $\frac{3}{16}$ " - 18 x 1 $\frac{1}{2}$ "       |
| 9        | 60080       | Lock Washer $\frac{5}{16}$ " (2)              | 20       | 96265       | Strain Relief   |
| 10       | 61115       | Jam Nut $\frac{3}{16}$ " - 18 (2)             | 21       | 44635       | Wire Nut  |

**Motor Components**

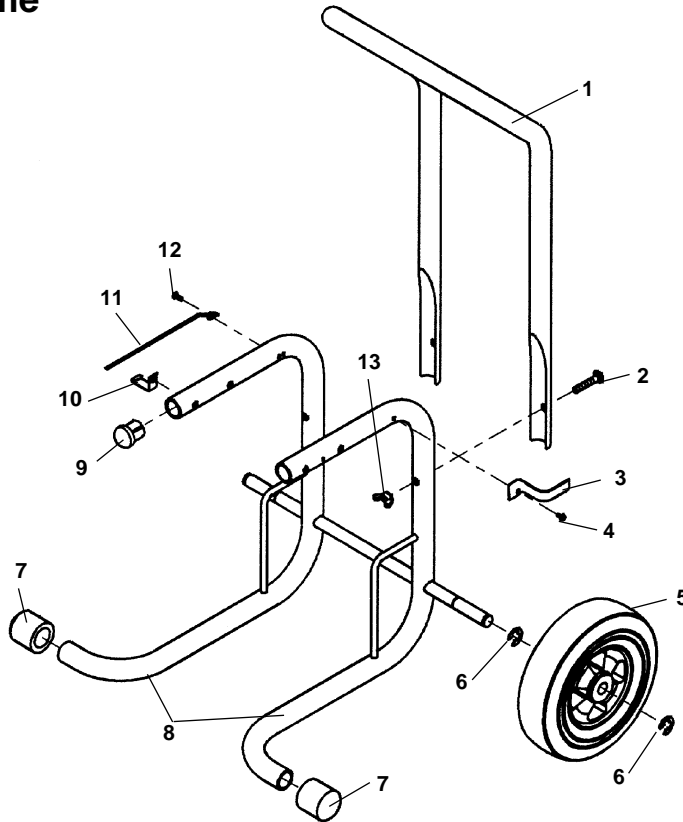


**NOTE: Order parts by Catalog Number Only.  
DO NOT order by Reference Number.**

| Ref. No. | Catalog No. | Description                             | Ref. No. | Catalog No. | Description                         |
|----------|-------------|---|----------|-------------|-------------------------------------|
| 1        | 50502       | Line Cord w/GFCI                        | 13       | 60080       | Lock Washer 5/16" (6)               |
|          | 45022       | Line Cord 110V - U.K.                   | 14       | 61115       | Jam Nut 5/16" - 18 (3)              |
|          | 39562       | Line Cord - Europe                      | 15       | 96260       | Carriage Bolt 5/16" - 18 x 3/4" (3) |
|          | 15707       | Line Cord - Export                      | 16       | 60085       | A-2290 Lock Washer (2)              |
| 2        | 45272       | Cover Plate                             | 17       | 60380       | A-2481 Screw (2)                    |
| 3        | 59990       | Screw #10                               | 18       | 23642       | Motor Bracket                       |
| 4        | 45267       | Cover Plate Gasket                      | 19       | 59785       | A-210 Screw (2)                     |
| 5        | 43932       | A-2256 Screw (2)                        | 20       | 43947       | Lock Nut 3/8" - 16 (2)              |
| 6        | 59727       | Switch Mounting Screw (4)               | 21       | 60230       | Hex Nut 5/16" - 18 (3)              |
| 7        | 59712       | Switch Plate                            | 22       | 45227       | Pulley                              |
| 8        | 59702       | Switch Knob                             | 23       | 43757       | Hex Screw 5/16" - 18 x 2"           |
| 9        | 59757       | Switch Assembly (Includes Ref. No. 6-8) | 24       | 45262       | Switch Box                          |
| 10       | 45257       | Switch Box Gasket                       | 25       | 50512       | Strain Relief                       |
| 11       | 45237       | Motor 1 Hp                              | 26       | 44635       | Wire Nut                            |
| 12       | 54582       | Motor Table                             |          |             |                                     |

**K-75A  
K-75B  
K-1500A  
K-1500B  
K-1500ASP  
K-1500BSP**

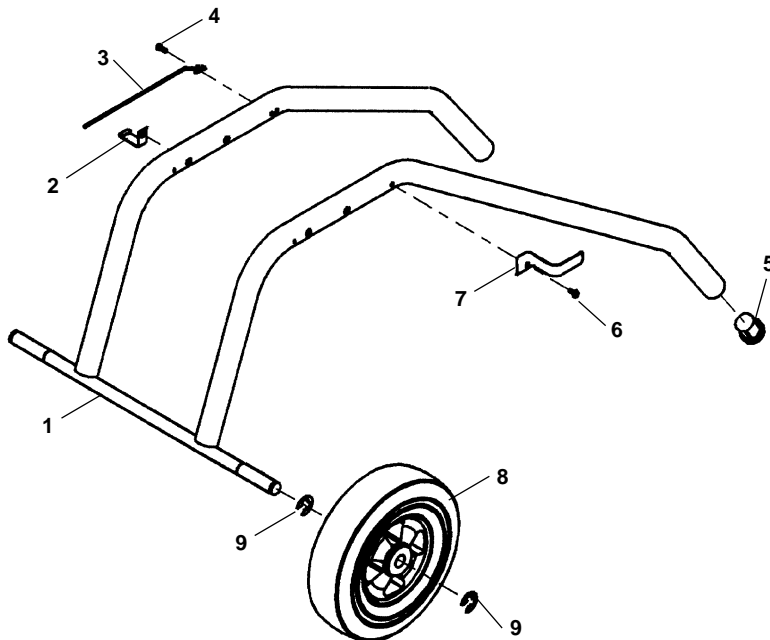
**A Frame**



**NOTE: Order parts by Catalog Number Only.  
DO NOT order by Reference Number.**

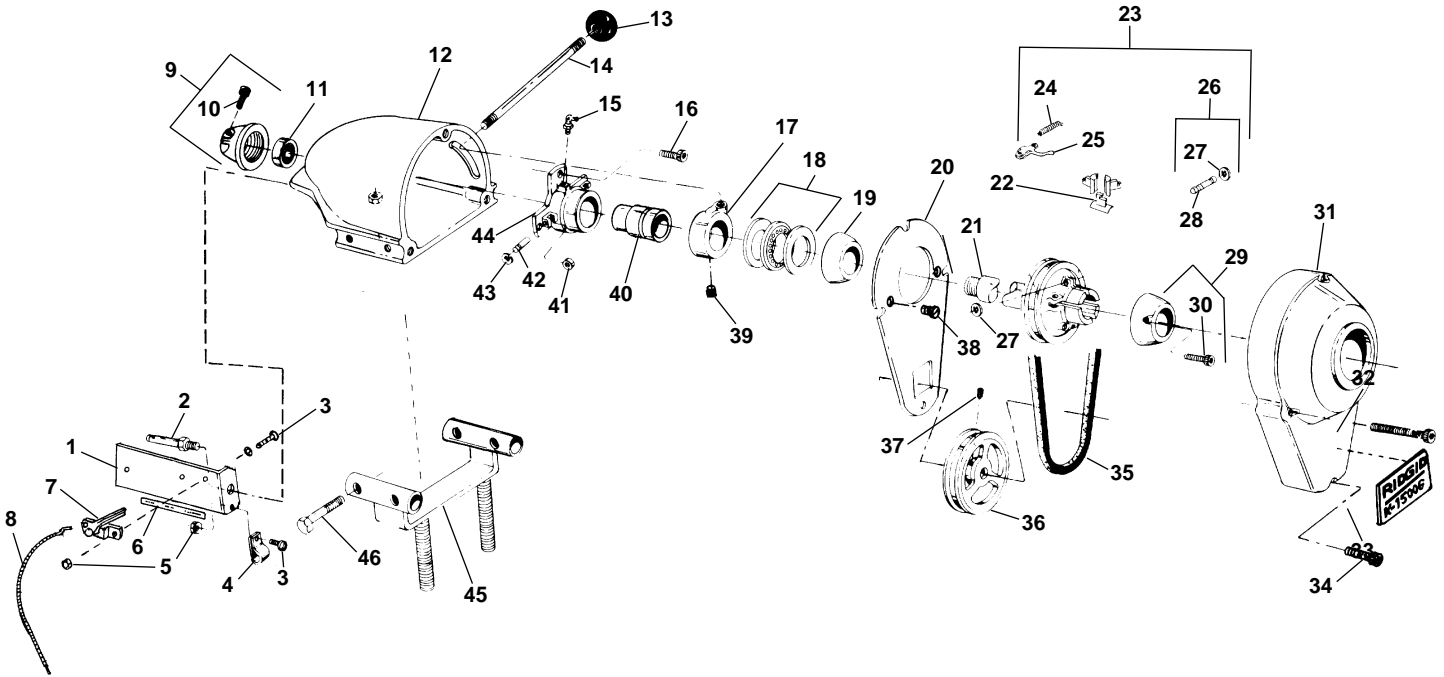
| Ref. No. | Catalog No. | Description                   |
|----------|-------------|-------------------------------|
| 1        | 23537       | Handle (Type "A")             |
| 2        | 23617       | Bolt (2)                      |
| 3        | 61965       | Cord Hook w/Screw (2)         |
| 4        | 61500       | A-427 Screw (2)               |
| 5        | 23602       | Wheel (K-75, K-1500) (2)      |
|          | 23597       | Wheel (SP Models Only) (2)    |
| 6        | 60050       | A-2281 Retaining Ring (4)     |
| 7        | 23607       | Leg End Cap (2)               |
| 8        | 23532       | Frame Assembly                |
| 9        | 61470       | A-394 Rubber Plug (2)         |
| 10       | 23647       | Tool Clip Bracket             |
| 11       | 23622       | Tool Clip                     |
| 12       | 59990       | A-2256 Screw                  |
|          | 45217       | A-7875 Screw (SP Models Only) |
| 13       | 45385       | E-3328 Wing Nut (2)           |

**B Frame**



| Ref. No. | Catalog No. | Description                   |
|----------|-------------|-------------------------------|
| 1        | 23672       | Frame Assembly                |
| 2        | 23647       | Tool Clip Bracket             |
| 3        | 23622       | Tool Clip                     |
| 4        | 59990       | A-2256 Screw                  |
|          | 45217       | A-7875 Screw (SP Models Only) |
| 5        | 61470       | A-394 Rubber Plug (2)         |
| 6        | 61500       | A-427 Screw (2)               |
| 7        | 61965       | Cord Hook w/Screw (2)         |
| 8        | 23602       | Wheel (K-75, K-1500) (2)      |
|          | 23597       | Wheel (SP Models Only) (2)    |
| 9        | 60050       | A-2281 Retaining Ring (4)     |

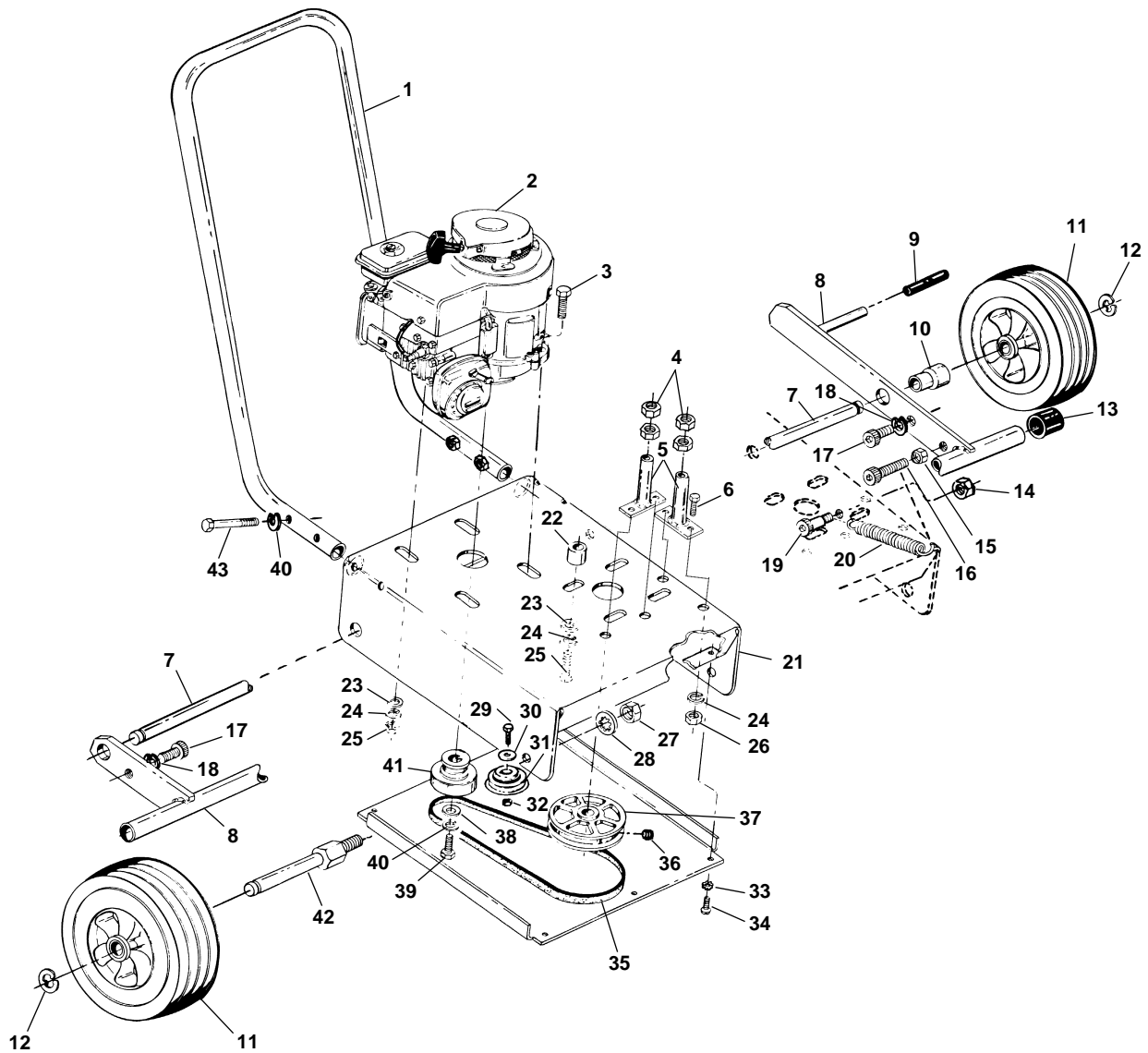
**Main Drive and Body Components**



**NOTE: Order parts by Catalog Number only.  
DO NOT order by Reference Number.**

| Ref. No. | Catalog No. | Description                     | Ref. No. | Catalog No. | Description                      |
|----------|-------------|---------------------------------|----------|-------------|----------------------------------|
| 1        | 43692       | Splash Guard                    | 24       | 60155       | Spring (3)                       |
| 2        | 59580       | Guide Hose Pin (2)              | 25       | 59530       | Rocker Arm Set                   |
| 3        | 87975       | R.H. Screw 10-24 x 5/8" (4)     | 26       | 60150       | Rocker Arm Pin w/Clip (3)        |
| 4        | 43697       | Cable Clamp (2)                 | 27       | 78780       | E-3562 Retaining Ring (3)        |
| 5        | 87970       | Nut 10 - 24 (4)                 | 28       | 90105       | Pin (3)                          |
| 6        | 59282       | Engine Throttle Decal           | 29       | 59500       | Nose Piece                       |
| 7        | 58937       | Lever Assy. - Throttle Control  | 30       | 84425       | Screw (2)                        |
| 8        | 58942       | Throttle Cable                  | 31       | 23547       | Front Guard                      |
| 9        | 60935       | Lock and Adj. Nut (Incl. #7)    | 32       | 23652       | Soc. Hd. Screw 1/4" x 2 3/4" (3) |
| 10       | 60910       | Soc. Hd. Screw 1/4" - 20 x 5/8" | 33       | 43717       | Label                            |
| 11       | 60930       | Ball Bearing                    | 34       | 44510       | Soc. Hd. Screw 1/4" - 20 x 2"    |
| 12       | 43702       | Body                            | 35       | 43722       | V-Belt - Cable                   |
| 13       | 59585       | Knob                            | 36       | 43727       | Pulley - Cable                   |
| 14       | 59575       | Clutch Handle                   | 37       | 60025       | Set Screw (2)                    |
| 15       | 89815       | Grease Fitting                  | 38       | 60265       | Hex Screw 1/4" - 20 x 1/2" (2)   |
| 16       | 68875       | F.H. Screw 9/16" - 18 x 1" (3)  | 39       | 93560       | Pan Screw 1/4" - 20 x 5/8"       |
| 17       | 43707       | Clutch Casting                  | 40       | 84435       | Bronze Bushing                   |
| 18       | 23677       | Thrust Bearing Assembly         | 41       | 61015       | Roller (2)                       |
| 19       | 23572       | Clutch Cone                     | 42       | 23592       | Pin (2)                          |
| 20       | 43712       | Inside Guard                    | 43       | 34175       | Retaining Ring (2)               |
| 21       | 23562       | Pulley and Shaft Assembly       | 44       | 45247       | Main Bearing with Bronze Bushing |
| 22       | 59325       | 7/8" Jaw Assembly               | 45       | 43762       | Mounting Bracket                 |
|          | 59320       | 1 1/4" Jaw Assembly             | 46       | 43757       | Hex Head Screw (4)               |
| 23       | 60145       | Rocker Arm Kit                  |          |             |                                  |

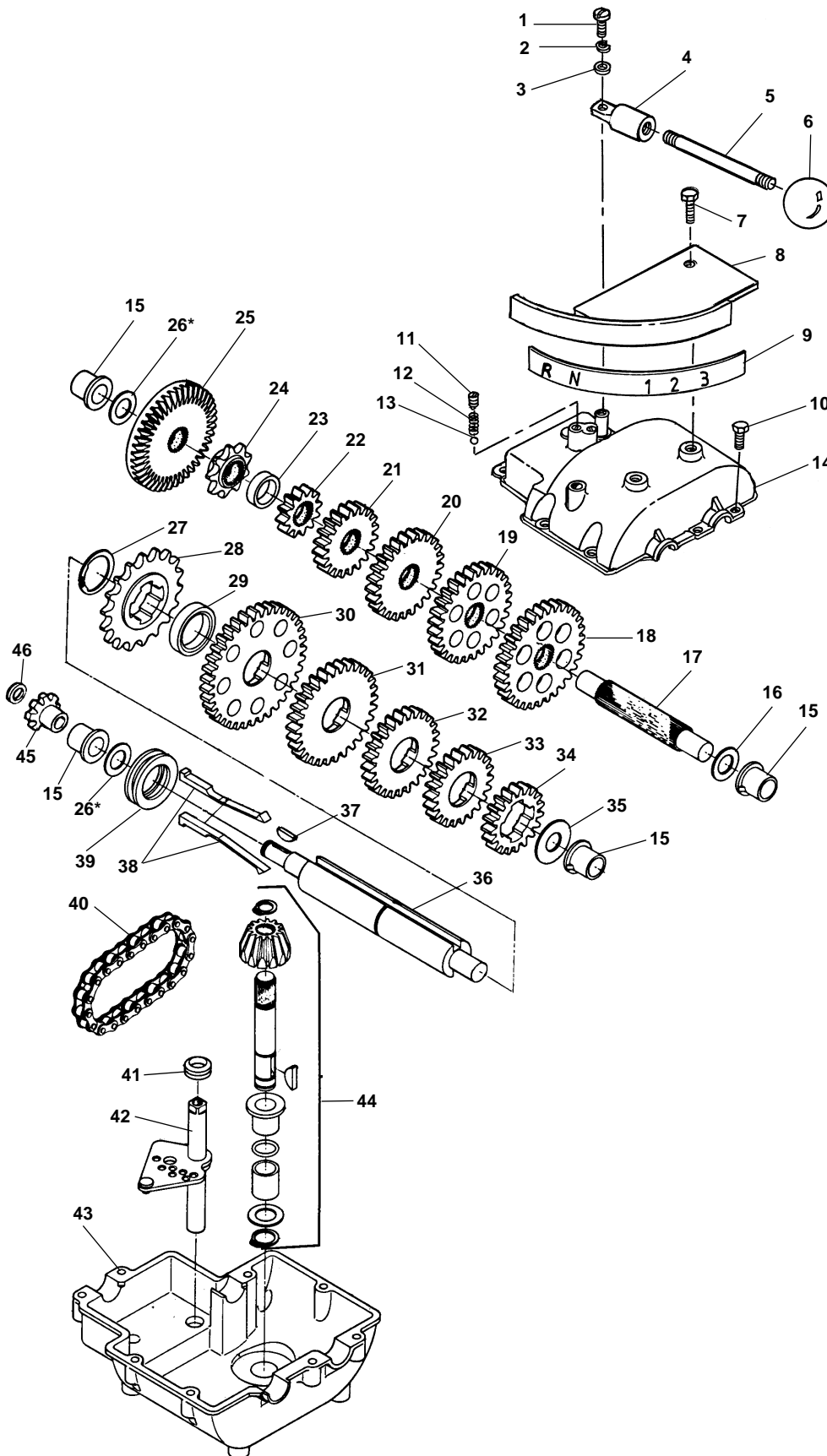
**Main Drive and Body Components**



**NOTE: Order parts by Catalog Number Only  
DO NOT order by Reference Number.**

| Ref. No. | Catalog No. | Description  | Ref. No. | Catalog No. | Description   | Ref. No. | Catalog No. | Description  |
|----------|-------------|--|----------|-------------|---|----------|-------------|--|
| 1        | 43752       | Handle Assembly  | 16       | 60805       | Hex Hd. Screw $\frac{3}{8}$ " - 16 x $1\frac{1}{2}$ " (2) | 31       | 66962       | Idler Pulley   |
| 2        | 66977       | Engine/6HP   | 17       | 96900       | SHCS $\frac{3}{16}$ " - 16 x $\frac{1}{2}$ " (2)          | 32       | 43947       | $\frac{3}{8}$ " Lock Nut                                   |
| 3        | 60515       | Hex Hd. Screw $\frac{5}{16}$ " - 18 x $1\frac{1}{4}$ " (4) | 18       | 43807       | Lock Washer $\frac{3}{8}$ " (2)                           | 33       | 61310       | Lock Washer #10 (6)  |
| 4        | 43827       | Hex Nut 1" - 8 (4)   | 19       | 84680       | Shld Screw $\frac{3}{16}$ " x $\frac{1}{2}$ " (2)         | 34       | 60000       | Rd. Head Screw $\frac{3}{8}$ " x $1\frac{1}{4}$ " (6)      |
| 5        | 43822       | Mounting Bracket Supports (2)                              | 20       | 43812       | Extension Spring (2)                                      | 35       | 60130       | "V" Belt/5HP   |
| 6        | 61130       | Hex Hd. Screw $\frac{5}{16}$ " - 18 x $\frac{3}{4}$ " (4)  | 21       | 43817       | Base Assembly   | 35       | 66967       | "V" Belt/6HP   |
| 7        | 43842       | Rear Axle  | 22       | 43852       | Spacer-Trans. (4)   | 36       | 60025       | Set Screw  |
| 8        | 43787       | Stabilizer Assembly  | 23       | 60060       | Flat Washer $\frac{5}{16}$ " (8)                          | 37       | 43832       | Pulley-Trans   |
| 9        | 61605       | Handle Grip  | 24       | 61445       | Ext. Lock Washer $\frac{5}{16}$ " (12)                    | 38       | 61275       | Washer $\frac{3}{8}$ "                                     |
| 10       | 43792       | Spacer-Axle (2)  | 25       | 43847       | Hex Nut $\frac{5}{16}$ " - 18 x $\frac{1}{2}$ " (4)       | 39       | 61435       | Hex Screw $\frac{3}{8}$ " x $1-1\frac{1}{4}$ "             |
| 11       | 23597       | Wheel (4)  | 26       | 60230       | Hex Nut $\frac{5}{16}$ " - 18 (8)                         | 40       | 60085       | Lock Washer $\frac{3}{8}$ " (4)                            |
| 12       | 60050       | Retaining Ring (4)   | 27       | 61455       | Hex Nut $\frac{1}{2}$ " -13 (2)                           | 41       | 61380       | Clutch   |
| 13       | 23607       | End Cap (2)  | 28       | 60090       | Lock Washer $\frac{1}{2}$ " (2)                           | 42       | 43837       | Front Axle   |
| 14       | 80370       | Hex Nut $\frac{1}{4}$ - 20 (2)                             | 29       | 23617       | $\frac{3}{8}$ " - 16 x 2" Carriage Screw                  | 43       | 76870       | Hex Head Screw $\frac{3}{8}$ " - 16 x $2\frac{1}{4}$ " (5) |
| 15       | 43747       | Lock Nut $\frac{3}{8}$ " (4)                               | 30       | 59970       | $\frac{3}{8}$ " Flat Washer                               |          |             |  |

**Transmission**



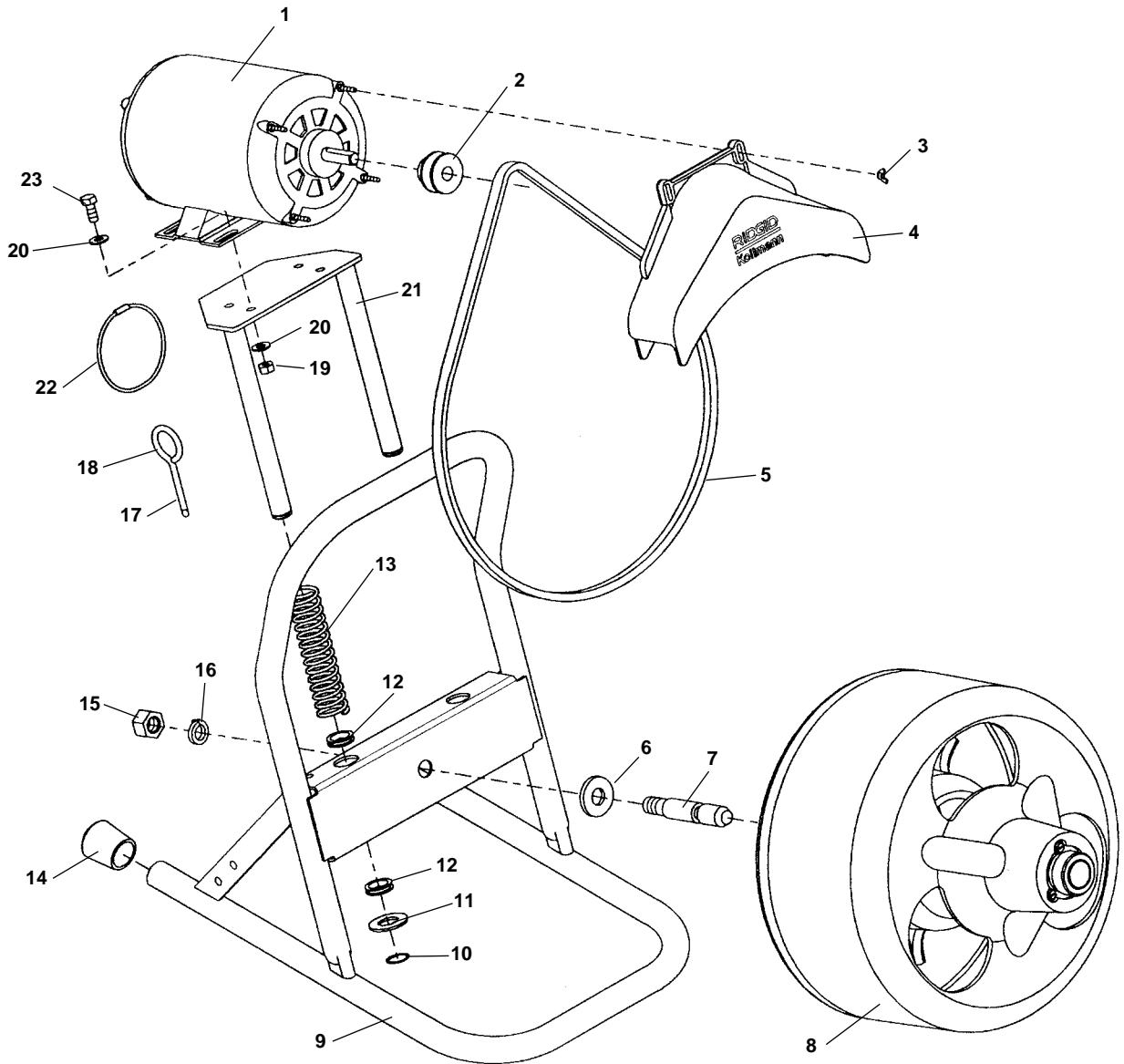
**NOTE: Order parts by Catalog Number only. DO NOT order by Reference Number.**

| Ref. No. | Catalog No. | Description                     |
|----------|-------------|---------------------------------|
| —        | 40407       | Transmission                    |
| 1        | 61540       | F.H. Screw, 1/4" - 28 x 5/8"    |
| 2        | 60075       | Lock Washer, 1/4"               |
| 3        | 84720       | Flat Washer, 1/4"               |
| 4        | 43772       | Shift Adapter                   |
| 5        | 93630       | Shift Handle                    |
| 6        | 59585       | Knob                            |
| 7        | 60010       | Hex Bolt, 5/16" - 18 x 1/2"     |
| 8        | 43777       | Indicator Bracket               |
| 9        | 47472       | Shift Indicator Decal           |
| 10       | 83500       | Screw, 1/4" - 20 x 3/4" (8)     |
| 11       | 46395       | Set Screw, 1/4" - 20 x 1/2" (2) |
| 12       | 40437       | Detente Spring (2)              |
| 13       | 84650       | Detente Ball (2)                |
| 14       | 40442       | Upper Housing                   |
| 15       | 40447       | Bearing Flange (4)              |
| 16       | 40452       | Washer .640 x 1.00 x .060       |
| 17       | 40457       | Drive Shaft                     |
| 18       | 40462       | Spur Gear 31T                   |
| 19       | 40467       | Spur Gear 28T                   |
| 20       | 40472       | Spur Gear 25T                   |
| 21       | 40477       | Spur Gear 20T                   |
| 22       | 40482       | Spur Gear 15T                   |
| 23       | 40487       | Spacer                          |
| 24       | 40492       | Sprocket 10T                    |
| 25       | 40497       | Bevel Gear 42T                  |
| 26*      | 40502       | Shim Kit                        |
| 27       | 40507       | Retaining Ring                  |
| 28       | 40512       | Sprocket 14T                    |
| 29       | 40517       | Spacer                          |
| 30       | 40522       | Spur Gear 35T                   |
| 31       | 40527       | Spur Gear 30T                   |
| 32       | 40532       | Spur Gear 25T                   |
| 33       | 40537       | Spur Gear 22T                   |
| 34       | 40542       | Spur Gear 19T                   |
| 35       | 40547       | Washer .640 x 1.37 x .061       |
| 36       | 40552       | Output Shaft                    |
| 37       | 84595       | No. 4 Woodruff Key              |
| 38       | 40557       | Clutch Key                      |
| 39       | 40562       | Clutch Collar                   |
| 40       | 84585       | Chain                           |
| 41       | 40567       | V-Ring                          |
| 42       | 40572       | Shifter Assembly                |
| 43       | 40577       | Lower Housing                   |
| 44       | 40582       | Input Shaft Assembly            |
| 45       | 84470       | Sprocket                        |
| 46       | 84465       | Retaining Ring                  |
| —        | 50277       | Torque Wrench                   |
| —        | 50282       | Socket 1" x 1/2" Drive          |

\* Use in various combinations to maintain proper clearances.



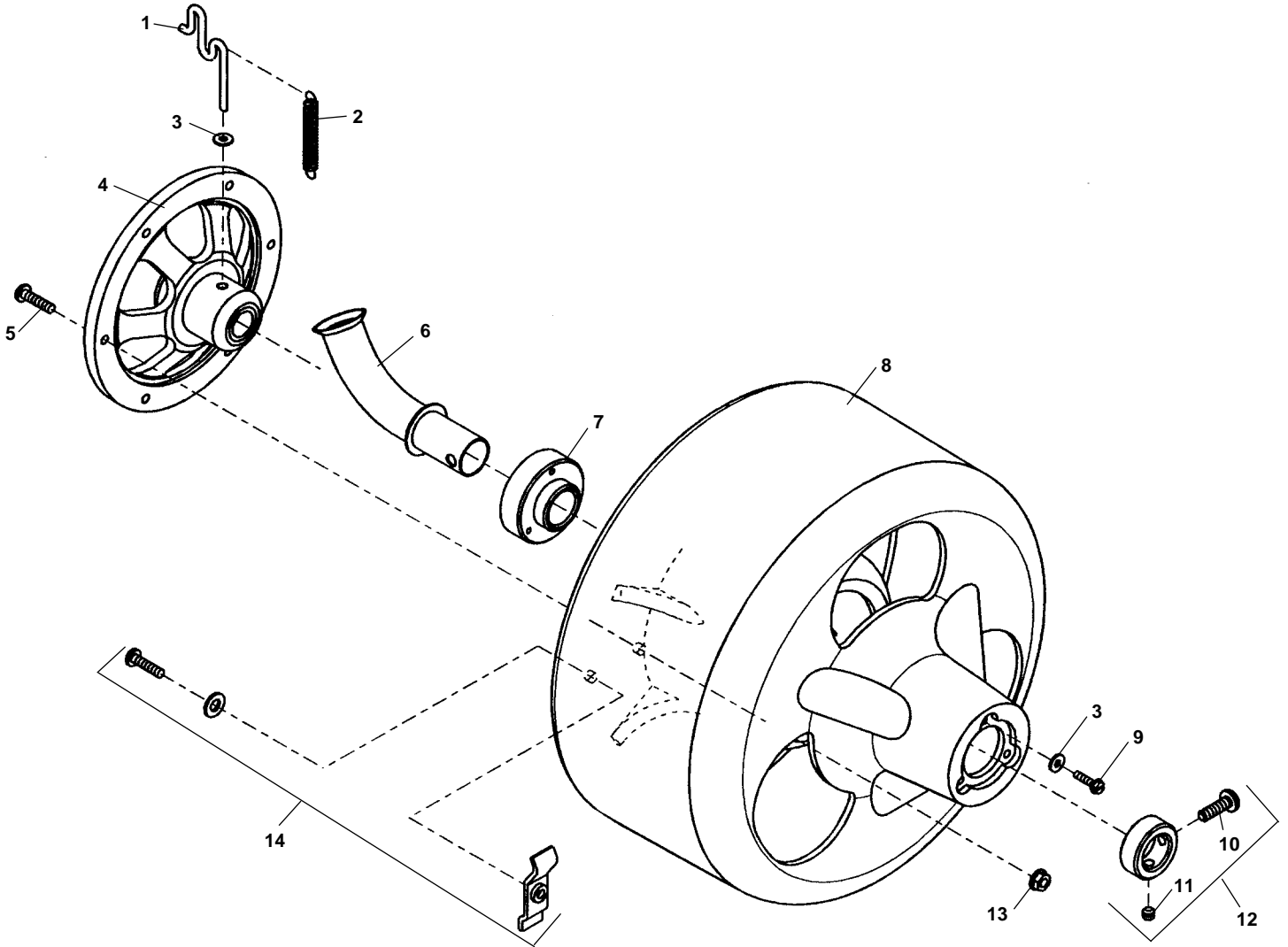
**Main Components**



**NOTE: Order parts by Catalog Number Only.  
DO NOT order by Reference Number.**

| Ref. No. | Catalog No. | Description                | Ref. No. | Catalog No. | Description            |
|----------|-------------|----------------------------|----------|-------------|------------------------|
| 1        | 37977       | Motor Assembly 120V 60Hz   | 12       | 37952       | Nylon Grommet (4)      |
|          | 44702       | Motor 220/240V 50Hz Export | 13       | 37957       | Spring (2)             |
|          | 44712       | Motor 220/240V 50Hz Europe | 14       | 37962       | Rubber End Cap (2)     |
| 2        | 33082       | Motor Pulley               | 15       | 13617       | Hex Nut 5/8" - 11      |
| 3        | 39557       | Wing Nut (2)               | 16       | 46682       | Lock Washer 5/8"       |
| 4        | 39767       | Belt Guard                 | 17       | 59230       | 3/8" Cable Pin Key     |
| 5        | 37872       | Drive Belt                 | 18       | 59225       | 1/2" Cable Pin Key     |
| 6        | 47077       | Drum Axle Washer           | 19       | 96730       | Hex Nut 5/16" - 18 (4) |
| 7        | 37937       | Drum Axle                  | 20       | 96740       | Flat Washer 5/16" (4)  |
| 8        | 37787       | Drum Assembly              | 21       | 33087       | Motor Mount            |
| 9        | 37942       | Frame                      | 22       | 54562       | Tool Holder            |
| 10       | 37947       | Spiral Ring (2)            | 23       | 61130       | Hex Bolt               |
| 11       | 37897       | Nylon Washer (2)           |          |             |                        |

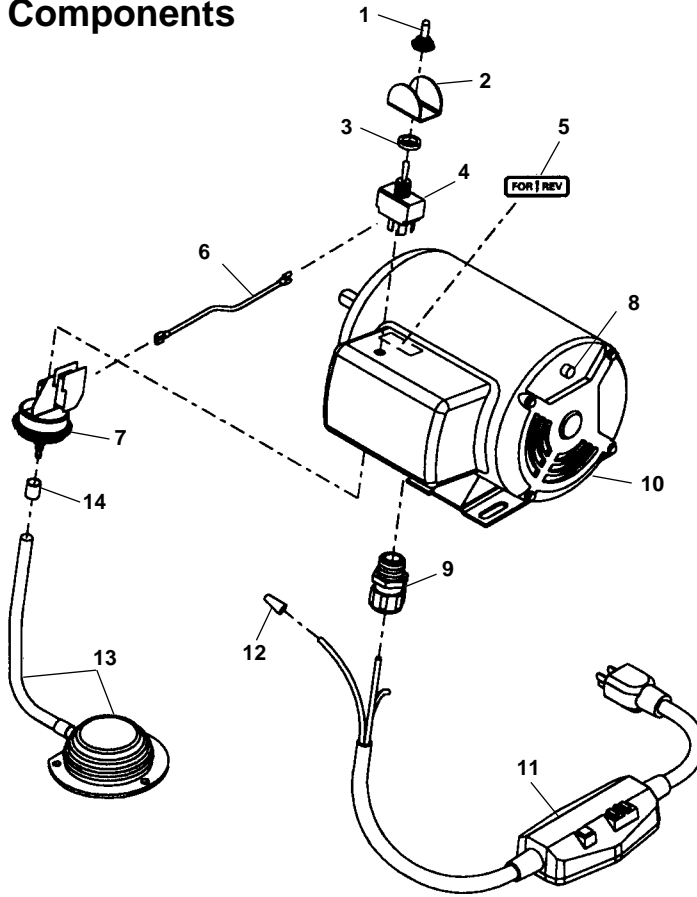
**Drum Assembly**



**NOTE: Order parts by Catalog Number Only.  
DO NOT order by Reference Number.**

| Ref. No. | Catalog No. | Description                   | Ref. No. | Catalog No. | Description                      |
|----------|-------------|-------------------------------|----------|-------------|----------------------------------|
| —        | 37787       | Drum Assembly                 | 8        | 37892       | Drum                             |
| 1        | 44872       | Drum Retainer                 | 9        | 37907       | Slotted Hex Screw #10 x 3/4" (3) |
| 2        | 37882       | Retainer Spring               | 10       | 39582       | Set Screw 5/16" - 18 x 1"        |
| 3        | 45365       | #10 Flat Washer (4)           | 11       | 46080       | Set Screw CP 5/16" - 18 x 1/2"   |
| 4        | 37927       | Drum Hub                      | 12       | 37912       | Set Collar Assembly              |
| 5        | 37932       | Cinch Stud 1/4" - 20 x 1" (6) | 13       | 47297       | Flange Nut 1/4" - 20 (6)         |
| 6        | 37922       | Guide Tube                    | 14       | 50207       | Cable Clamp Assembly             |
| 7        | 37917       | Sleeve Bushing                |          |             |                                  |

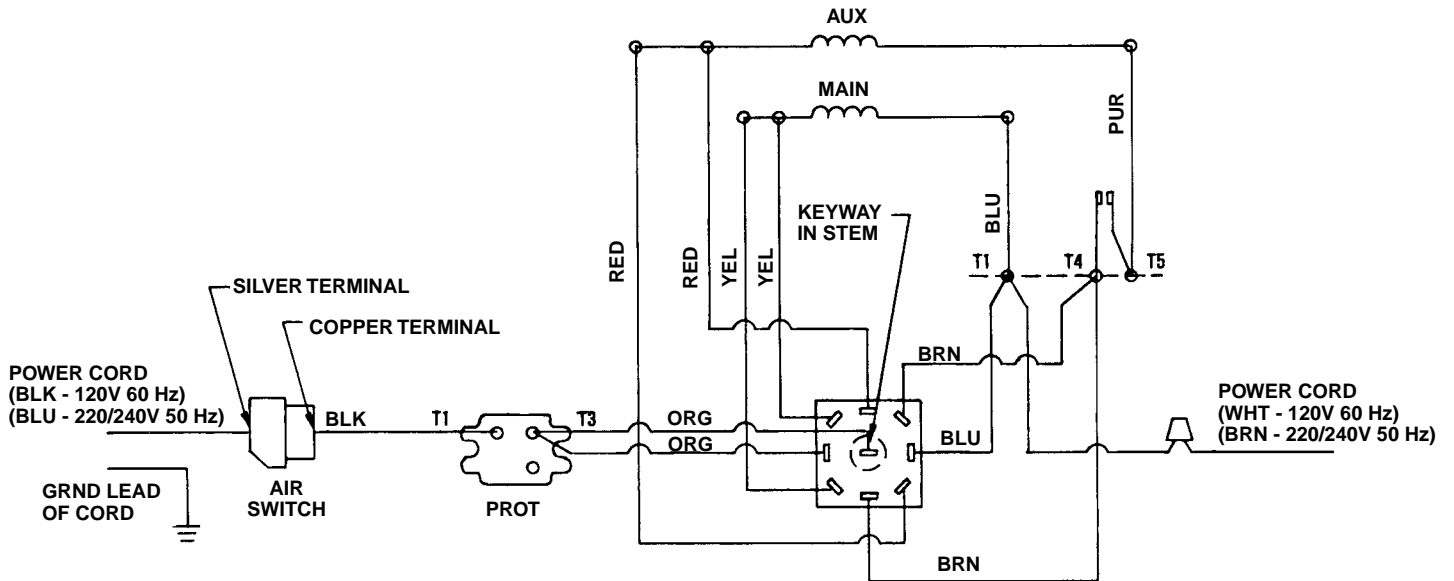
**Electrical Components**



**NOTE: Order parts by Catalog Number Only.  
DO NOT order by Reference Number.**

| Ref. No. | Catalog No. | Description   |
|----------|-------------|---|
| 1        | 23507       | Rubber Boot   |
| 2        | 61490       | Switch Guard  |
| 3        | 23512       | Rubber Washer   |
| 4        | 41817       | Switch  |
| 5        | 23687       | FOR/REV Label   |
| 6        | 44877       | Lead Wire Assembly                                    |
| 7        | 32992       | Air Switch  |
| 8        | 67412       | Thermal Overload                                      |
| 9        | 96265       | Strain Relief   |
| 10       | 37977       | 120V 60Hz Motor Assembly<br>(Includes Ref. No. 1 - 9) |
|          | 44702       | 220/240V 50Hz Motor Assy.<br>(Includes Ref. No. 1-9)  |
| 11       | 50507       | 120V Power Cord w/GFCI                                |
|          | 15707       | 220V Power Cord                                       |
| 12       | 44635       | Wire Nut  |
| 13       | 37967       | Foot Switch Assembly                                  |
| 14       | 35142       | Hose Clamp  |

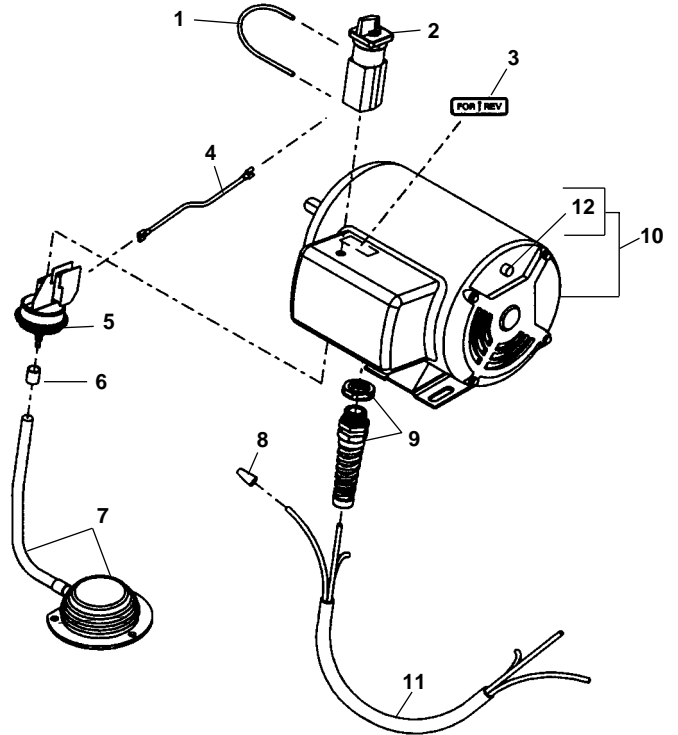
**Wiring Diagram**



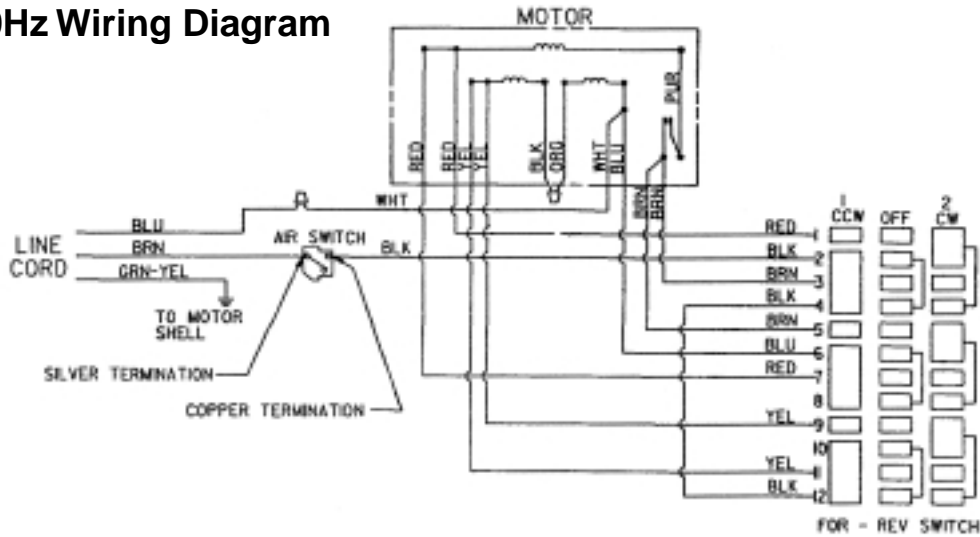
**Electrical Components Europe & Australia**

NOTE: Order parts by Catalog Number Only.  
DO NOT order by Reference Number.

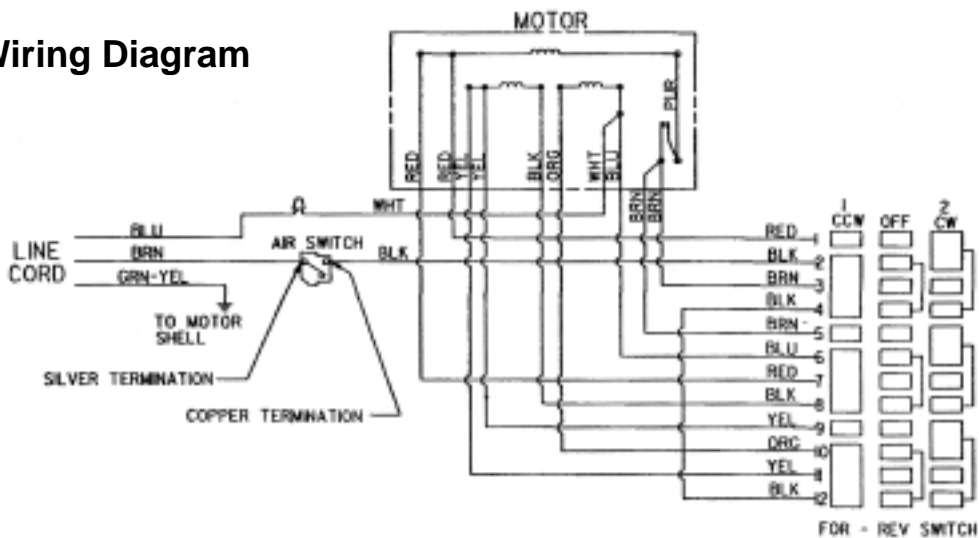
| Ref. No. | Catalog No. | Description                   |
|----------|-------------|-------------------------------|
| 1        | 44882       | Jumper Wire Assembly          |
| 2        | 44862       | Switch                        |
| 3        | 23687       | FOR/REV Label                 |
| 4        | 44877       | Lead Wire Assembly            |
| 5        | 32992       | Air Switch                    |
| 6        | 35142       | Hose Clamp                    |
| 7        | 37967       | Foot Switch Assembly          |
| 8        | 44635       | Wire Nut                      |
| 9        | 27187       | Strain Relief                 |
| 10       | 44712       | 110/220/240V 50Hz Motor Assy. |
| 11       | 39562       | 220V Power Cord (Europe)      |
|          | 44512       | 240V Power Cord (Australia)   |
| 12       | 67417       | Thermal Overload              |



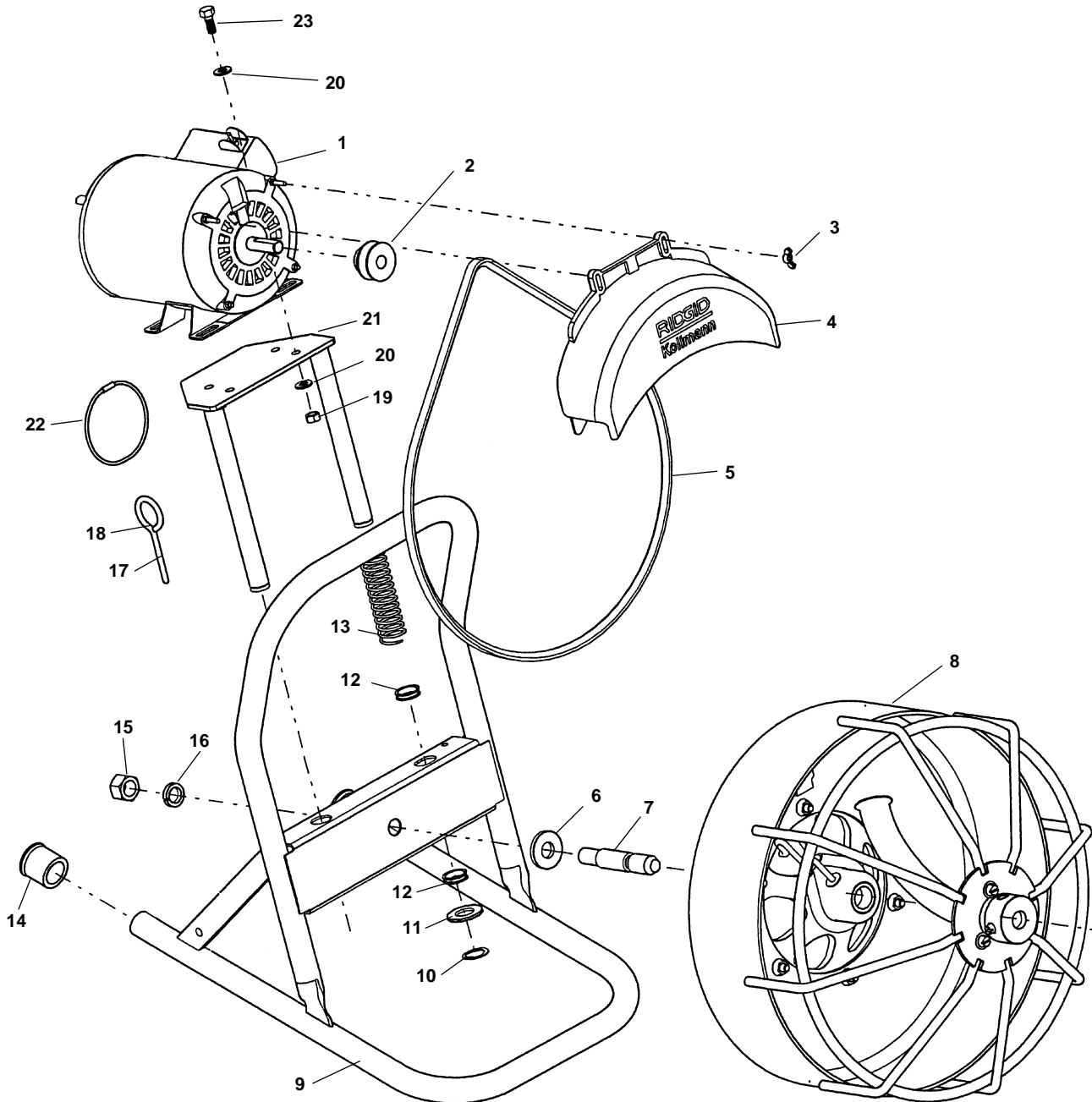
**220/240V 50Hz Wiring Diagram**



**110V 50Hz Wiring Diagram**



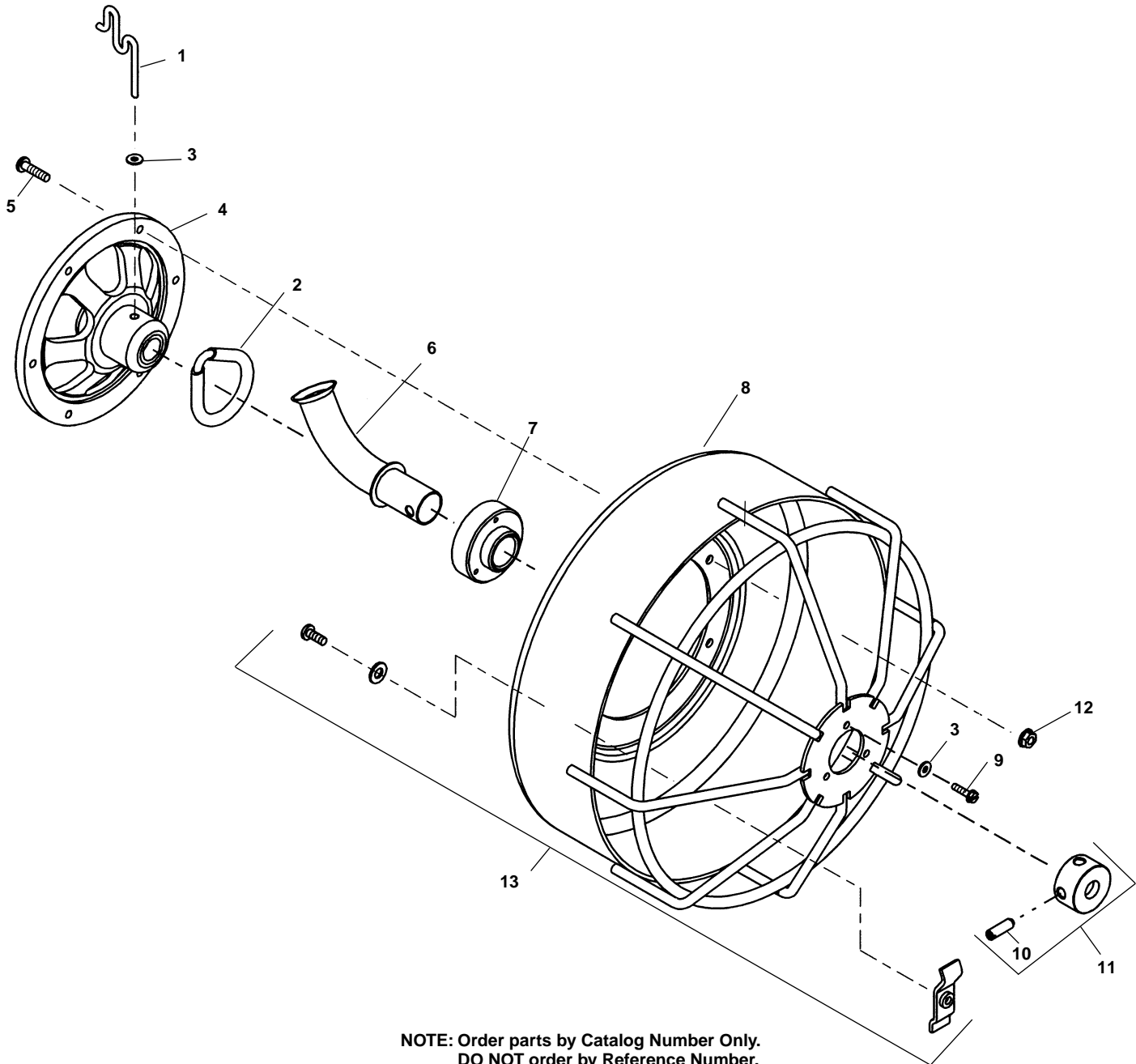
**Main Components**



**NOTE: Order parts by Catalog Number Only.  
DO NOT order by Reference Number.**

| Ref. No. | Catalog No. | Description          | Ref. No. | Catalog No. | Description                       |
|----------|-------------|----------------------|----------|-------------|-----------------------------------|
| 1        | 37977       | Motor Assy 120V 60Hz | 13       | 84512       | Spring (2)                        |
| 2        | 33082       | Motor Pulley         | 14       | 37962       | Rubber End Cap (2)                |
| 3        | 39557       | Wing Nut (2)         | 15       | 13617       | Hex Nut $\frac{5}{8}$ " - 11      |
| 4        | 39767       | Belt Guard           | 16       | 46682       | Lock Washer $\frac{5}{8}$ "       |
| 5        | 37872       | Drive Belt           | 17       | 59230       | $\frac{3}{8}$ " Cable Pin Key     |
| 6        | 47077       | Drum Axle Washer     | 18       | 59225       | $\frac{1}{2}$ " Cable Pin Key     |
| 7        | 37937       | Drum Axle            | 19       | 96730       | Hex Nut $\frac{5}{16}$ " - 18 (4) |
| 8        | 84517       | Drum Assembly        | 20       | 96740       | Flat Washer $\frac{5}{16}$ " (4)  |
| 9        | 37942       | Frame                | 21       | 33087       | Motor Mount                       |
| 10       | 37947       | Spiral Ring (2)      | 22       | 54562       | Tool Holder                       |
| 11       | 37897       | Nylon Washer (2)     | 23       | 61130       | Hex Bolt                          |
| 12       | 37952       | Nylon Grommet (4)    |          |             |                                   |

**Drum Assembly**

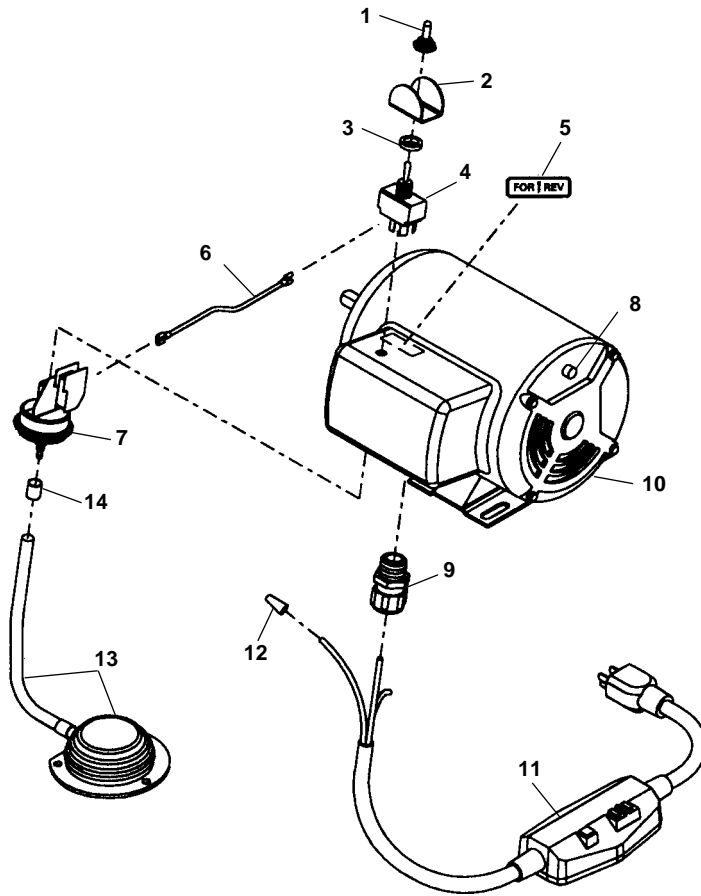


**NOTE: Order parts by Catalog Number Only.  
DO NOT order by Reference Number.**

| Ref. No. | Catalog No. | Description                                 |
|----------|-------------|---|
| —        | 84517       | Drum Assembly                               |
| 1        | 44872       | Drum Retainer                               |
| 2        | 37882       | Retainer Spring                             |
| 3        | 45365       | #10 Flat Washer (4)                         |
| 4        | 37927       | Drum Hub                                    |
| 5        | 37932       | Cinch Stud $\frac{1}{4}$ " - 20 x 1" (6)    |
| 6        | 37922       | Guide Tube                                  |
| 7        | 37917       | Sleeve Bushing                              |
| 8        | 84527       | Drum  |
| 9        | 37907       | Slotted Hex Screw #10 x $\frac{3}{4}$ " (3) |
| 10       | 39582       | Set Screw $\frac{5}{16}$ " - 18 x 1"        |
| 11       | 37912       | Set Collar Assembly                         |
| 12       | 47297       | Flange Nut $\frac{1}{4}$ " - 20 (6)         |
| 13       | 56147       | Cable Clamp Assembly                        |

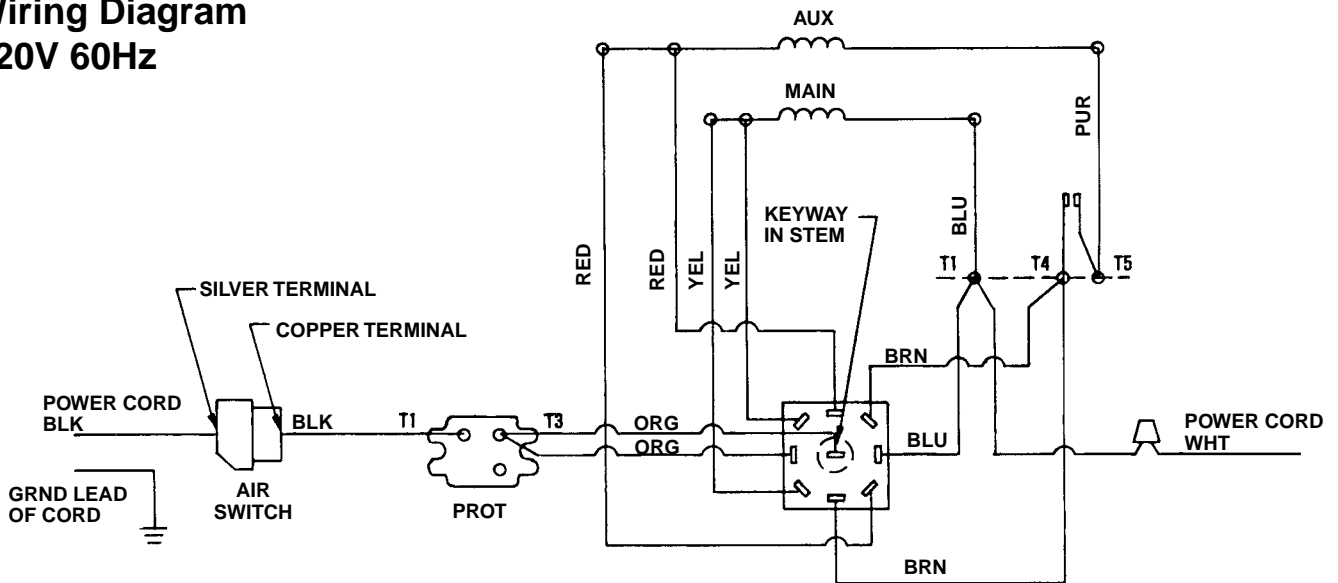
**120V 60 Hz Motor**

**NOTE: Order parts by Catalog Number Only.  
DO NOT order by Reference Number.**

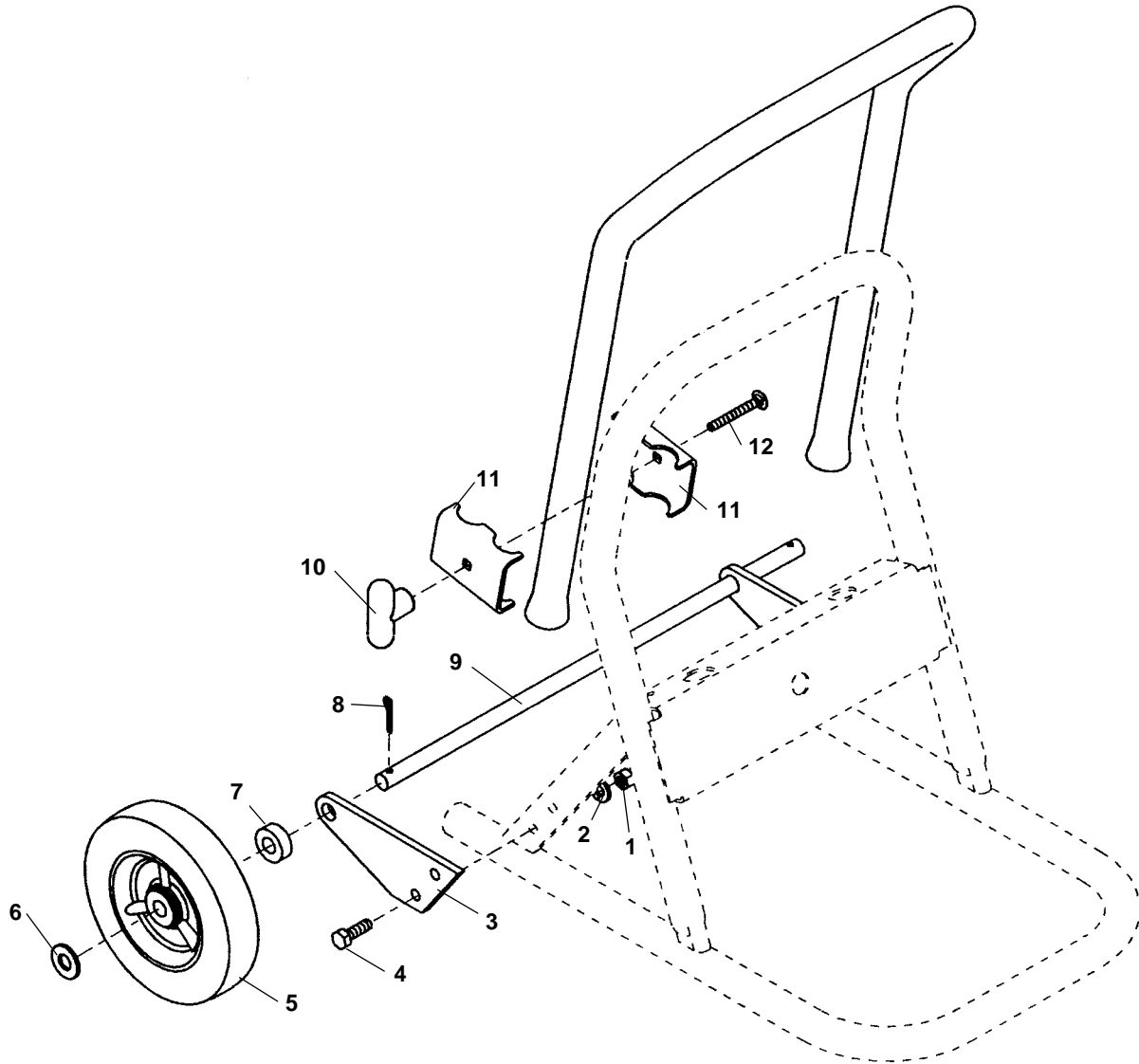


| Ref. No. | Catalog No. | Description  |
|----------|-------------|--|
| 1        | 23507       | Rubber Boot  |
| 2        | 61490       | Switch Guard                                       |
| 3        | 23512       | Rubber Washer                                      |
| 4        | 41817       | Switch   |
| 5        | 23687       | FOR/REV Label                                      |
| 6        | 44877       | Lead Wire Assembly                                 |
| 7        | 32992       | Air Switch   |
| 8        | 67412       | Thermal Overload                                   |
| 9        | 96265       | Strain Relief                                      |
| 10       | 37977       | 120V 60Hz Motor Assembly (Includes Ref. No. 1 - 9) |
|          | 44702       | 220/240V 50Hz Motor Assy. (Includes Ref. No. 1-9)  |
| 11       | 50507       | 120V Power Cord w/GFCI                             |
|          | 15707       | 220V Power Cord                                    |
| 12       | 44635       | Wire Nut   |
| 13       | 37967       | Foot Switch Assembly                               |
| 14       | 35142       | Hose Clamp   |

**Wiring Diagram  
120V 60Hz**



**Transportation Cart Assembly**

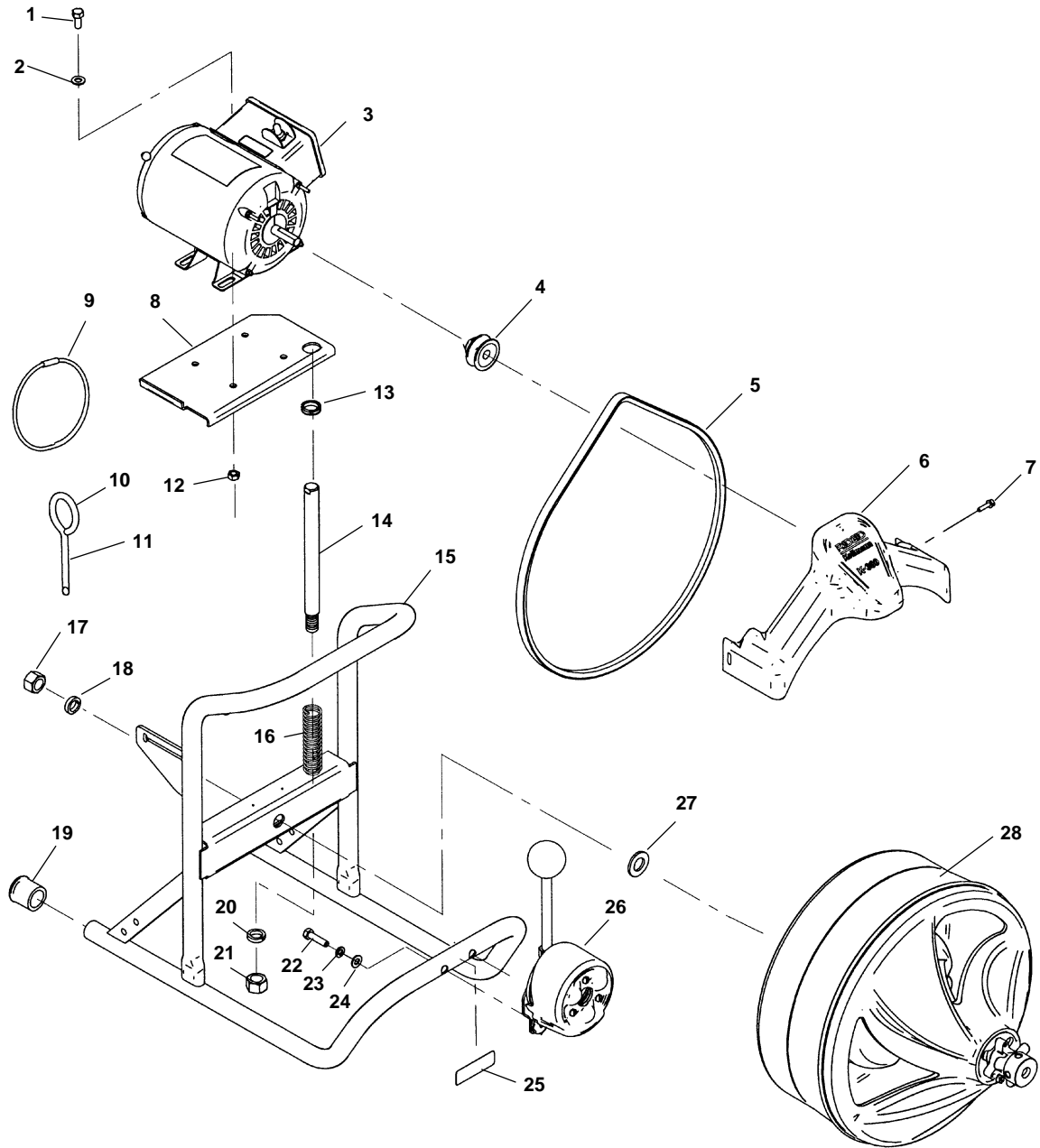


**NOTE: Order parts by Catalog Number Only.  
DO NOT order by Reference Number.**

| Ref. No. | Catalog No. | Description                                 |
|----------|-------------|---|
| —        | 59782       | Cart Assembly                               |
| 1        | 60230       | Hex Nut $\frac{5}{16}$ " (4)                |
| 2        | 60080       | Lock Washer $\frac{5}{16}$ " (4)            |
| 3        | 60837       | Axle Bracket (2)                            |
| 4        | 44590       | Screw $\frac{5}{16}$ "-18 x 1" (4)          |
| 5        | 60842       | Wheel (2)                                   |
| 6        | 60847       | Flat Washer $\frac{1}{2}$ " (2)             |
| 7        | 60852       | Axle Spacer (2)                             |
| 8        | 47030       | Cotter Pin $\frac{1}{8}$ " x 1" (2)         |
| 9        | 60857       | Axle  |
| 10       | 60862       | T-Knob (2)                                  |
| 11       | 60867       | Adjustment Bracket (4)                      |
| 12       | 60872       | Carriage Bolt $\frac{1}{4}$ " - 20 x 2" (2) |
| 13       | 60877       | Handle                                      |



**Main Components**

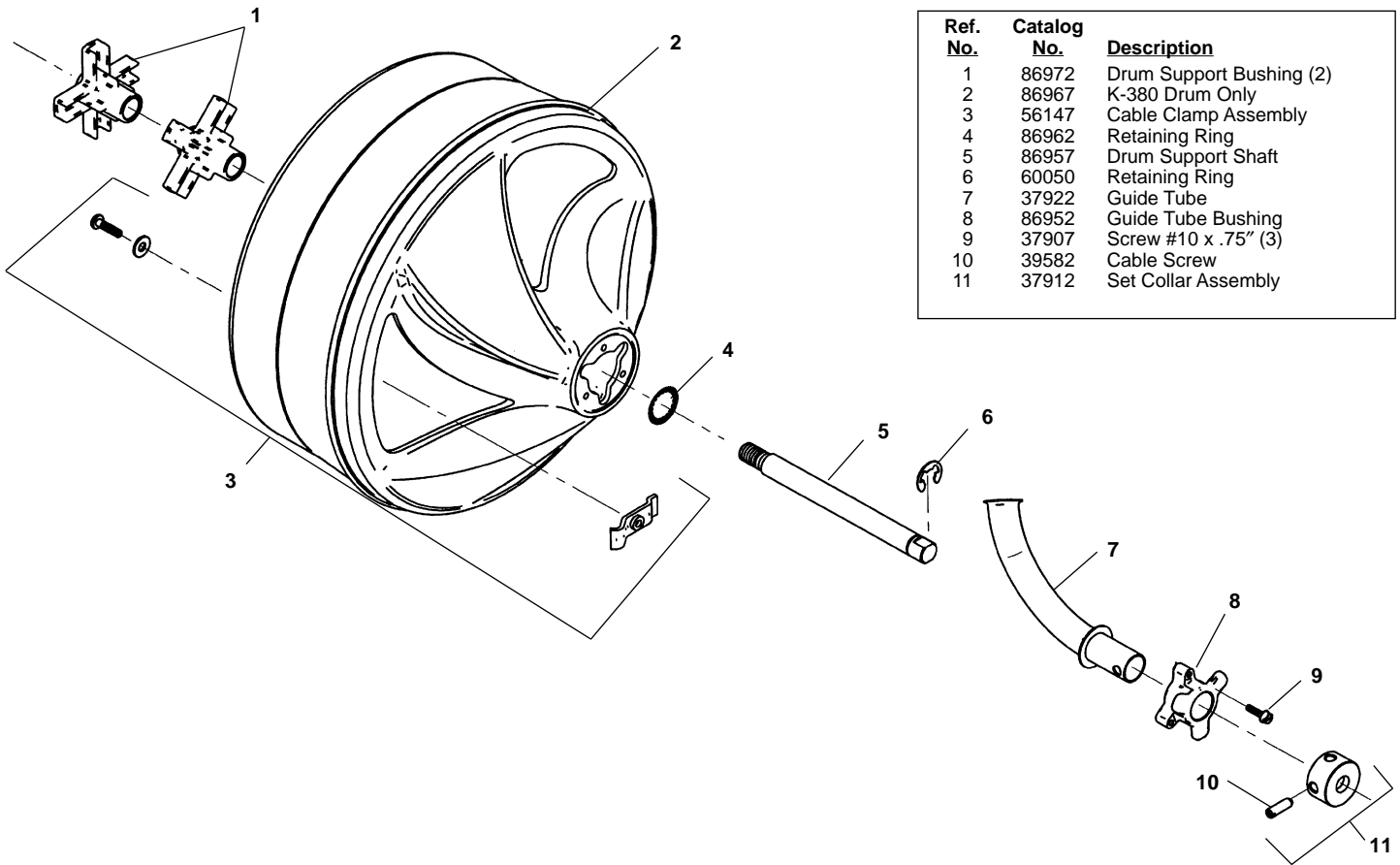


**NOTE: Order parts by Catalog Number Only.  
DO NOT order by Reference Number.**

| Ref. No. | Catalog No. | Description              | Ref. No. | Catalog No. | Description                     |
|----------|-------------|--------------------------|----------|-------------|---------------------------------|
| 1        | 61130       | Hex Screw 5/16" - 18 (4) | 15       | 87007       | K-380 Frame                     |
| 2        | 60060       | Flat Washer (4)          | 16       | 87002       | Compression Spring              |
| 3        | 37977       | Motor 115V               | 17       | 13617       | 5/8" - 11 Nut                   |
| 4        | 86987       | Pulley w/Set Screw       | 18       | 46682       | 5/8" Lockwasher                 |
| 5        | 86977       | Belt                     | 19       | 37962       | Rubber Tip (2)                  |
| 6        | 86982       | Belt Guard               | 20       | 46682       | 5/8" Lockwasher (2)             |
| 7        | 37907       | #10 Screw (5)            | 21       | 13617       | 5/8" - 11 Nut (2)               |
| 8        | 86992       | Motor Base Plate         | 22       | 60515       | Hex Screw .31" - 18 x 1.25" (2) |
| 9        | 54562       | Tool Holder              | 23       | 60080       | 11/32" Lockwasher (2)           |
| 10       | 59230       | 3/8" Pin Key             | 24       | 60060       | 5/16" Flat Washer (6)           |
| 11       | 59225       | 1/2" Pin Key             | 25       | 87012       | K-380 Label                     |
| 12       | 27517       | Lock Nut (4)             | 26       | 87337       | K-380 Power Feed Assembly       |
| 13       | 37952       | Split Grommet            | 27       | 41790       | Flat Washer                     |
| 14       | 86997       | Spring Support Shaft     | 28       | 87077       | K-380 Drum Assembly             |

**Drum Assembly**

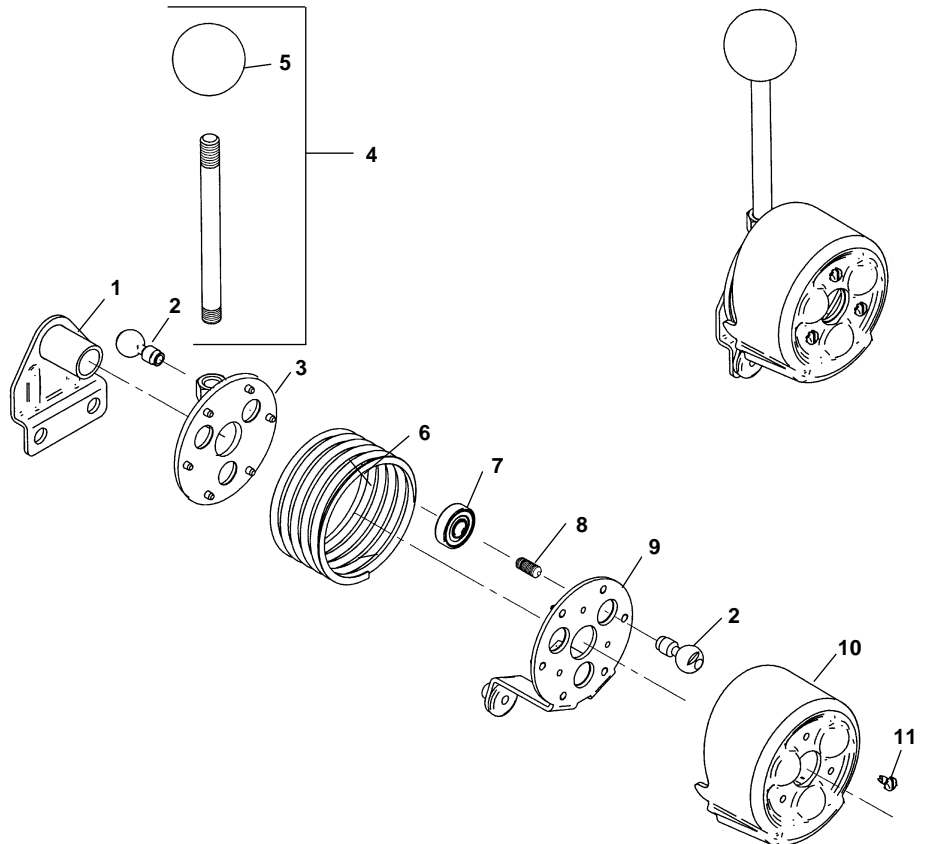
**NOTE: Order parts by Catalog Number Only.  
DO NOT order by Reference Number.**



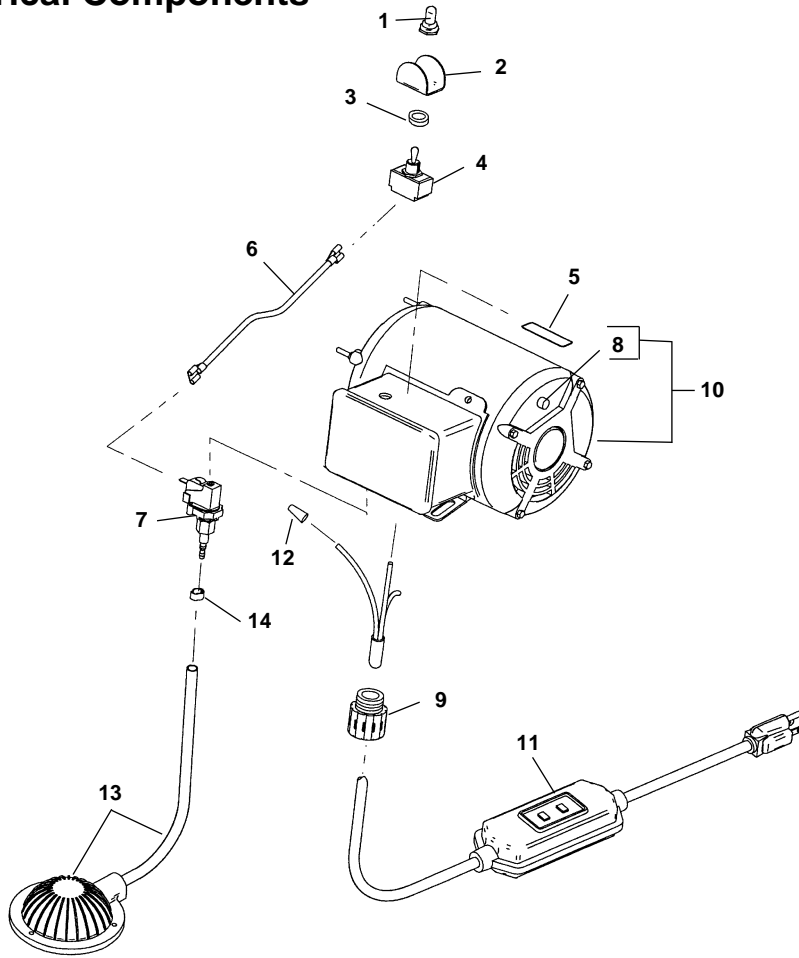
| Ref. No. | Catalog No. | Description              |
|----------|-------------|--------------------------|
| 1        | 86972       | Drum Support Bushing (2) |
| 2        | 86967       | K-380 Drum Only          |
| 3        | 56147       | Cable Clamp Assembly     |
| 4        | 86962       | Retaining Ring           |
| 5        | 86957       | Drum Support Shaft       |
| 6        | 60050       | Retaining Ring           |
| 7        | 37922       | Guide Tube               |
| 8        | 86952       | Guide Tube Bushing       |
| 9        | 37907       | Screw #10 x .75" (3)     |
| 10       | 39582       | Cable Screw              |
| 11       | 37912       | Set Collar Assembly      |

**Autofeed Assembly**

| Ref. No. | Catalog No. | Description                     |
|----------|-------------|---------------------------------|
| —        | 87337       | Autofeed Assembly               |
| 1        | 87627       | Mounting Bracket                |
| 2        | 87607       | Roller Shaft (6)                |
| 3        | 87622       | Back Plate                      |
| 4        | 93630       | Clutch Handle                   |
| 5        | 59585       | Ball for Handle                 |
| 6        | 87617       | Spring                          |
| 7        | 44077       | Ball Bearing (3)                |
| 8        | 41502       | Set Screw 5/16" - 18 x 3/4" (3) |
| 9        | 87612       | Front Plate                     |
| 10       | 87632       | Autofeed Cover                  |
| 11       | 45420       | Screw 10 - 24 x 3/8" (3)        |



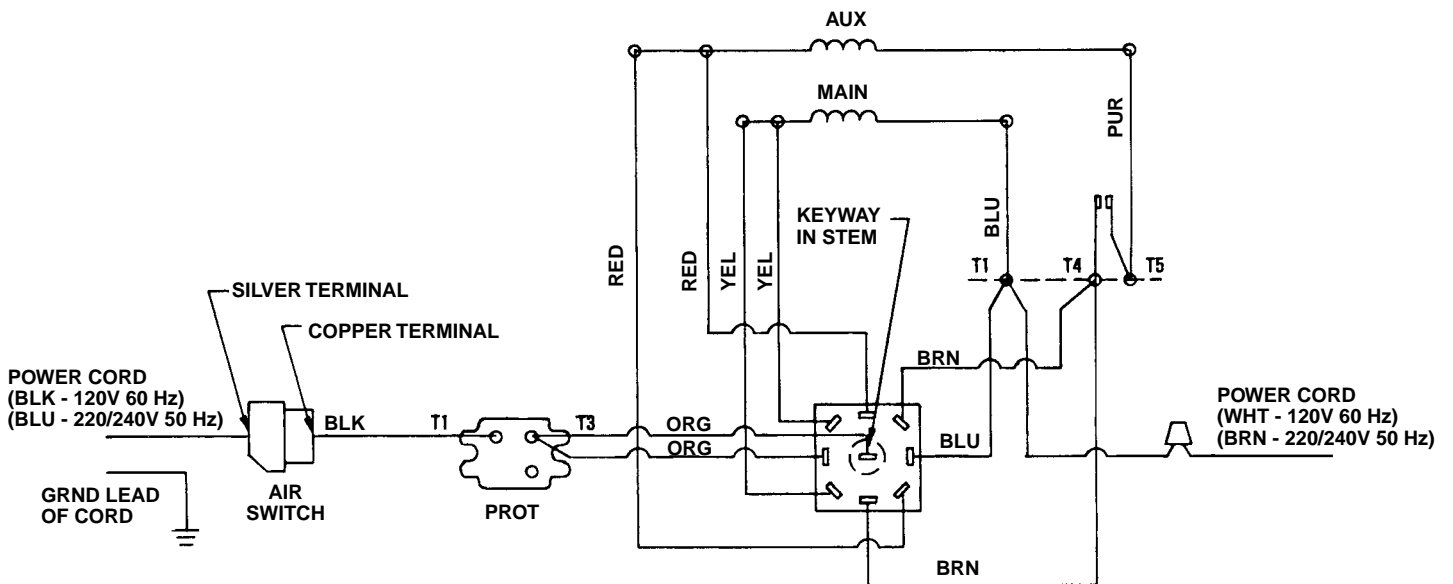
**Electrical Components**



**NOTE: Order parts by Catalog Number Only. DO NOT order by Reference Number.**

| Ref. No. | Catalog No. | Description  |
|----------|-------------|--|
| 1        | 23507       | Rubber Boot  |
| 2        | 61490       | Switch Guard   |
| 3        | 23512       | Rubber Washer  |
| 4        | 41817       | Switch   |
| 5        | 23687       | FOR/REV Label  |
| 6        | 44877       | Lead Wire Assembly                                     |
| 7        | 32992       | Air Switch   |
| 8        | 67412       | Thermal Overload                                       |
| 9        | 96265       | Strain Relief  |
| 10       | 37977       | 120V 60Hz Motor Assembly<br>(Includes Ref. No. 1 - 9)  |
|          | 44702       | 220/240V 50Hz Motor Assy.<br>(Includes Ref. No. 1 - 9) |
| 11       | 50507       | 120V Power Cord w/GFCI                                 |
|          | 15707       | 220V Power Cord  |
| 12       | 44635       | Wire Nut   |
| 13       | 37967       | Foot Switch Assembly                                   |
| 14       | 35142       | Hose Clamp   |

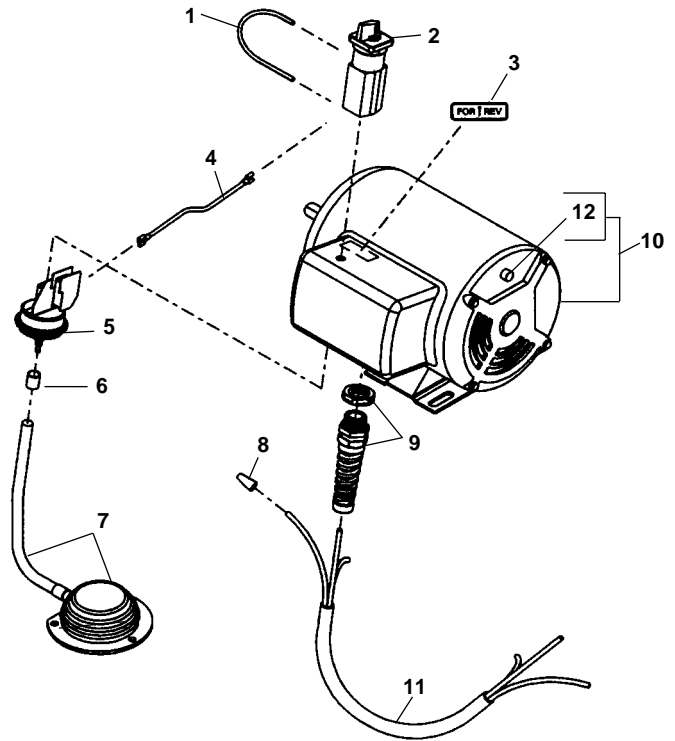
**Wiring Diagram**



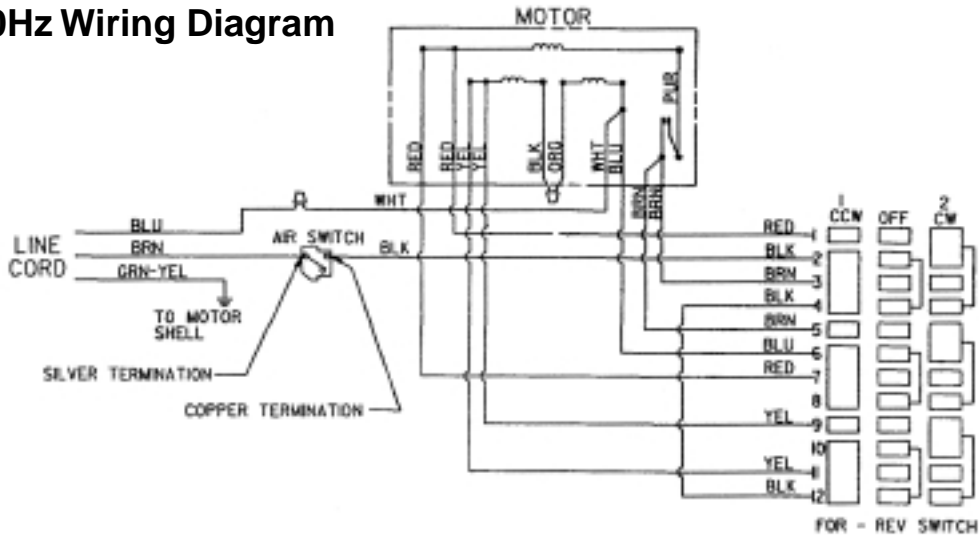
**Electrical Components Europe & Australia**

NOTE: Order parts by Catalog Number Only.  
DO NOT order by Reference Number.

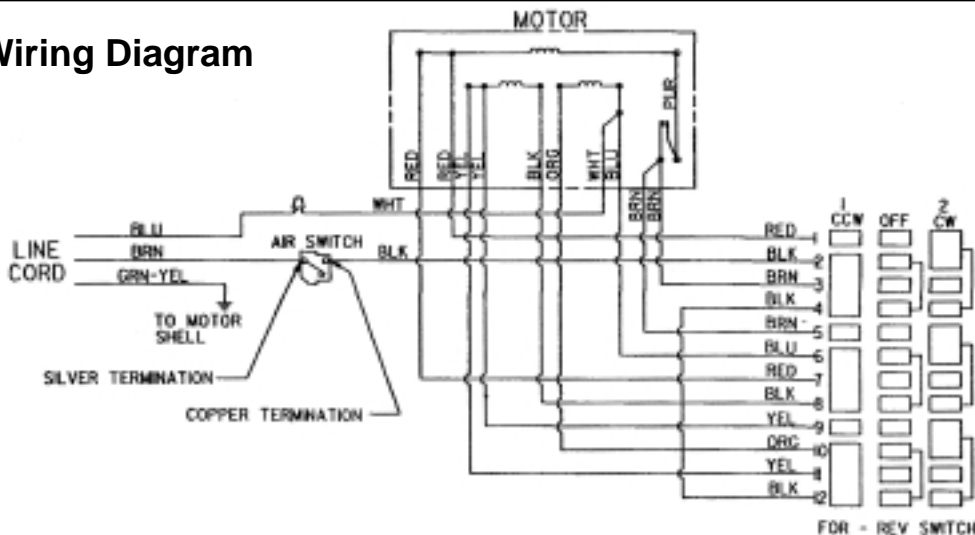
| Ref. No. | Catalog No. | Description                   |
|----------|-------------|-------------------------------|
| 1        | 44882       | Jumper Wire Assembly          |
| 2        | 44862       | Switch                        |
| 3        | 23687       | FOR/REV Label                 |
| 4        | 44877       | Lead Wire Assembly            |
| 5        | 32992       | Air Switch                    |
| 6        | 35142       | Hose Clamp                    |
| 7        | 37967       | Foot Switch Assembly          |
| 8        | 44635       | Wire Nut                      |
| 9        | 27187       | Strain Relief                 |
| 10       | 44712       | 110/220/240V 50Hz Motor Assy. |
| 11       | 39562       | 220V Power Cord (Europe)      |
|          | 44512       | 240V Power Cord (Australia)   |
| 12       | 67417       | Thermal Overload              |



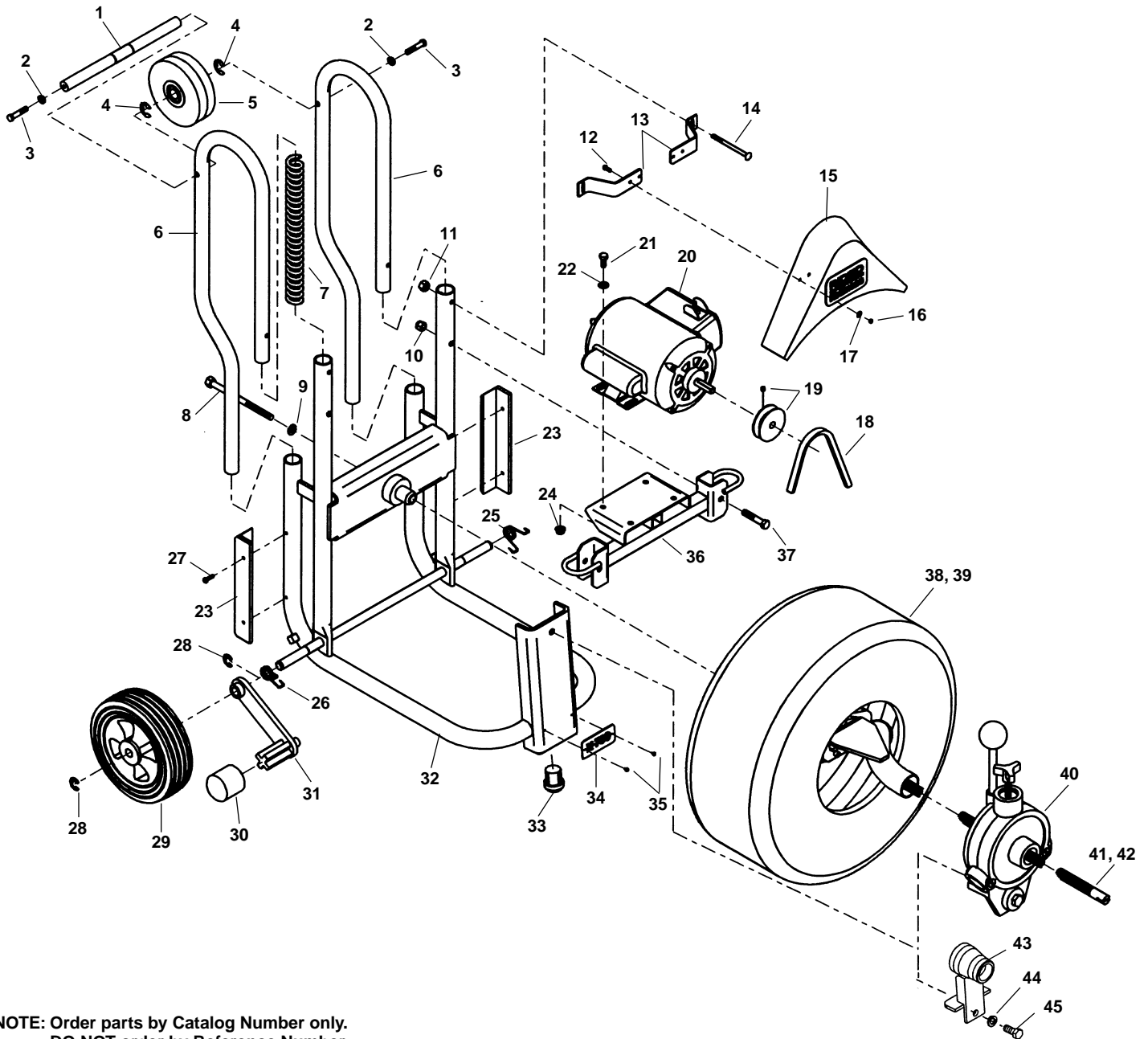
**220/240V 50Hz Wiring Diagram**



**110V 50Hz Wiring Diagram**



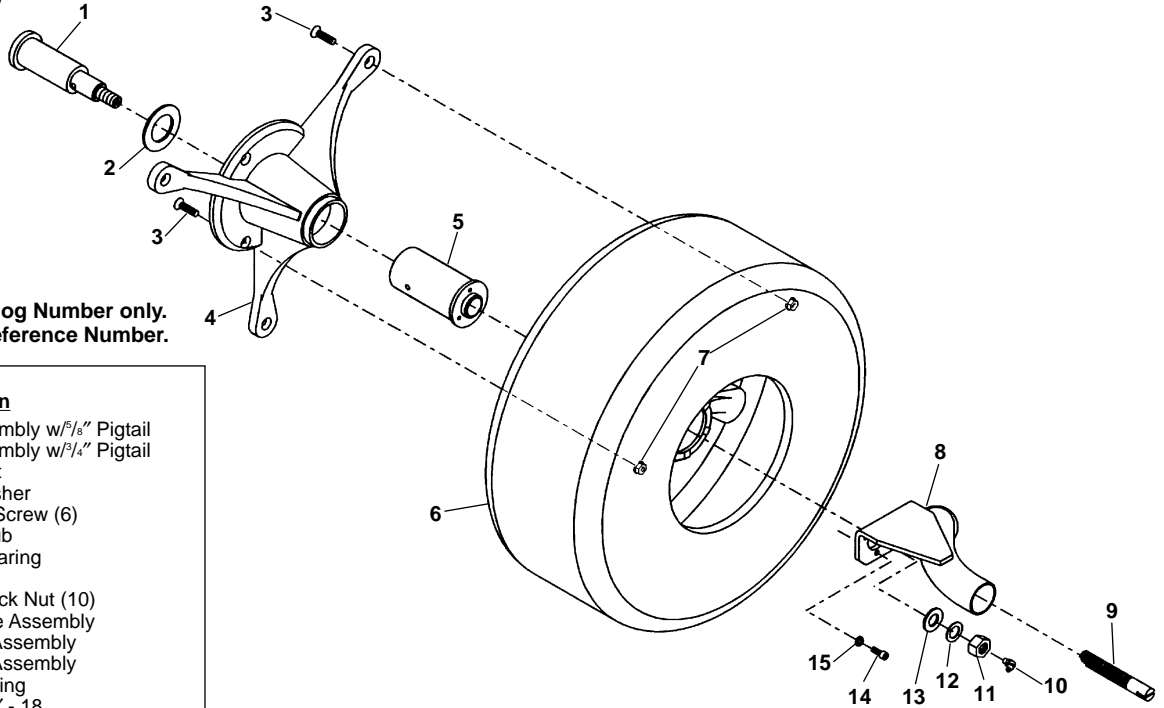
**Frame and Drum Assembly**



**NOTE: Order parts by Catalog Number only.  
DO NOT order by Reference Number.**

| Ref. No. | Catalog No. | Description   | Ref. No. | Catalog No. | Description                     | Ref. No. | Catalog No. | Description                   |
|----------|-------------|---|----------|-------------|---------------------------------|----------|-------------|-------------------------------|
| 1        | 46632       | Axle  | 16       | 87970       | Nut 10-24 (4)                   | 30       | 23607       | End Cap (2)                   |
| 2        | 60080       | Lock Washer 5/16"   | 17       | 61310       | External Lock Washer (4)        | 31       | 43912       | Stabilizer (2)                |
| 3        | 43847       | Hex Bolt 5/16" - 18 x 1 1/2"                                | 18       | 43997       | Drive Belt                      | 32       | 43902       | Frame Assembly                |
| 4        | 60050       | Retaining Ring  | 19       | 43982       | Motor Pulley                    | 33       | 61470       | Rest Button                   |
| 5        | 46637       | Loading Wheel   | 20       | 43977       | 120V 60Hz Motor Assembly        | 34       | 43907       | Name Plate                    |
| 6        | 43952       | Handle (2)  |          | 45052       | 220/240V 50Hz Motor Assembly    | 35       | 76730       | Drive Screw (4)               |
| 7        | 43957       | Compression Spring  |          | 44517       | 220/240V 50Hz Motor (Europe)    | 36       | 43987       | Motor Mount Assembly          |
| 8        | 43937       | Screw 1/2" - 13 x 5" Hex Head<br>(Torque to 60-65 ft. lbs.) |          | 44522       | 220/240V 50Hz Motor (Australia) | 37       | 43992       | Hex Head Screw 3/8"-16 x 2"   |
| 9        | 43942       | 1/2" Lock Washer (2)  | 21       | 61130       | Screw (4)                       | 38       | 43637       | Drum Assembly w/5/8" Pigtail  |
| 10       | 43947       | Lock Nut  | 22       | 60060       | 5/16" Flat Washer (4)           | 39       | 41982       | Drum Assembly w/3/4" Pigtail  |
| 11       | 45407       | 1/4" - 20 Handle Nut (2)                                    | 23       | 43927       | Stair Climber (2)               | 40       | 43642       | Autofeed Assembly             |
| 12       | 43962       | Screw 10 - 24 x 1/2" (4)                                    | 24       | 27517       | 5/16"-18 Lock Nut               | 41       | 44117       | 3/4" Pigtail Assembly         |
| 13       | 43967       | Guard Bracket (2)   | 25       | 43922       | Stabilizer Spring R.H.          | 42       | 44122       | 5/8" Pigtail Assembly         |
|          | 44502       | Guard Bracket (Eur. & Aust.) (2)                            | 26       | 43917       | Stabilizer Spring L.H.          | 43       | 54427       | Manual Feed Assembly          |
| 14       | 43972       | Carriage Bolt (2)   | 27       | 43932       | Self Tapping Screw (4)          | 44       | 43942       | 1/2" Lock Washer              |
| 15       | 44027       | Belt Guard  | 28       | 42580       | Retaining Clip (4)              | 45       | 45287       | Hex Head Screw 1/2" - 13 x 2" |
|          |             |   | 29       | 93325       | Wheel (2)                       |          |             |                               |

**Drum Assembly**

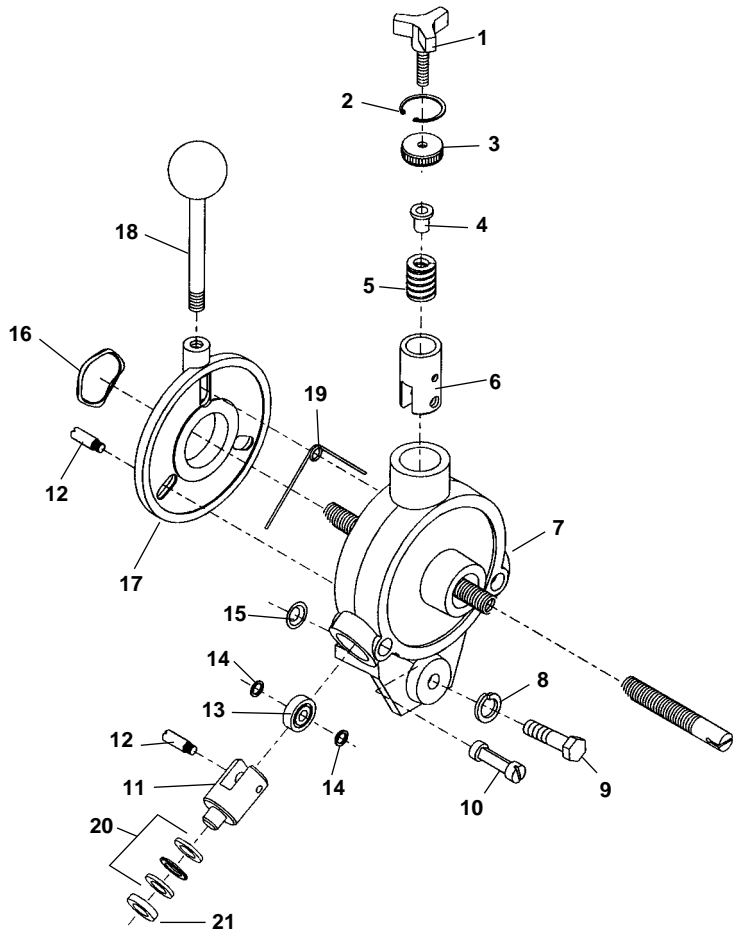


**NOTE: Order parts by Catalog Number only. DO NOT order by Reference Number.**

| Ref. No. | Catalog No. | Description   |
|----------|-------------|---|
| —        | 43637       | Drum Assembly w <sup>5/8</sup> " Pigtail                |
| —        | 41982       | Drum Assembly w <sup>3/4</sup> " Pigtail                |
| 1        | 44002       | Drum Shaft  |
| 2        | 44007       | Thrust Washer   |
| 3        | 44012       | Flat Head Screw (6)                                     |
| 4        | 44017       | Support Hub   |
| 5        | 44022       | Spindle Bearing   |
| 6        | 44032       | Drum  |
| 7        | 27517       | <sup>5/16</sup> " - 18 Lock Nut (10)                    |
| 8        | 44037       | Guide Tube Assembly                                     |
| 9        | 44117       | <sup>3/4</sup> " Pigtail Assembly                       |
|          | 44122       | <sup>5/8</sup> " Pigtail Assembly                       |
| 10       | 89815       | Grease Fitting  |
| 11       | 44057       | Hex Nut <sup>5/8</sup> " - 18                           |
| 12       | 44047       | Internal Lock Washer                                    |
| 13       | 44042       | <sup>5/8</sup> " Flat Washer                            |
| 14       | 44052       | Screw <sup>1/4</sup> " - 20 x <sup>5/8</sup> " S.H. (3) |
| 15       | 45150       | <sup>1/4</sup> " Lock Washer (3)                        |

**Autofeed Assembly**

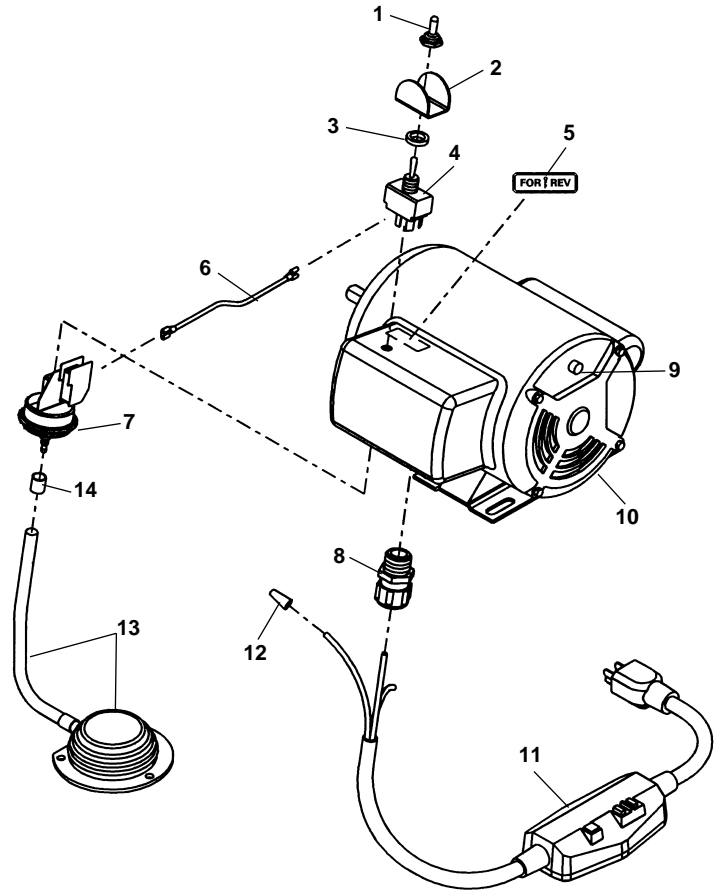
| Ref. No. | Catalog No. | Description   |
|----------|-------------|---|
| —        | 43642       | Autofeed Assembly   |
| 1        | 93580       | Feed Knob   |
| 2        | 93500       | Retaining Ring  |
| 3        | 93600       | Knurled Nut   |
| 4        | 93475       | Ball Holder   |
| 5        | 93375       | Spring  |
| 6        | 44062       | Moveable Roller Holder  |
| 7        | 44067       | Autofeed Housing  |
| 8        | 43942       | <sup>1/2</sup> " Lock Washer (2)  |
| 9        | 45287       | Screw <sup>1/2</sup> " - 13 x 2" Hex Head<br>(Torque to 25-30 ft. lbs.) |
| 10       | 44092       | Roller Holder Cam (2)   |
| 11       | 45417       | Stationary Roller Hld (2)   |
| 12       | 44082       | Actuator Pin (6)  |
| 13       | 44077       | Ball Bearing (3)  |
| 14       | 93460       | Spacer (6)  |
| 15       | 44102       | Bolt Retainer   |
| 16       | 44112       | Retaining Ring  |
| 17       | 44107       | Feed Actuator   |
| 18       | 93630       | Clutch Handle Assembly  |
| 19       | 44097       | Torsion Spring (3)  |
| 20       | 68367       | Thrust Washer (4)   |
| 21       | 68372       | Spacer (2)  |



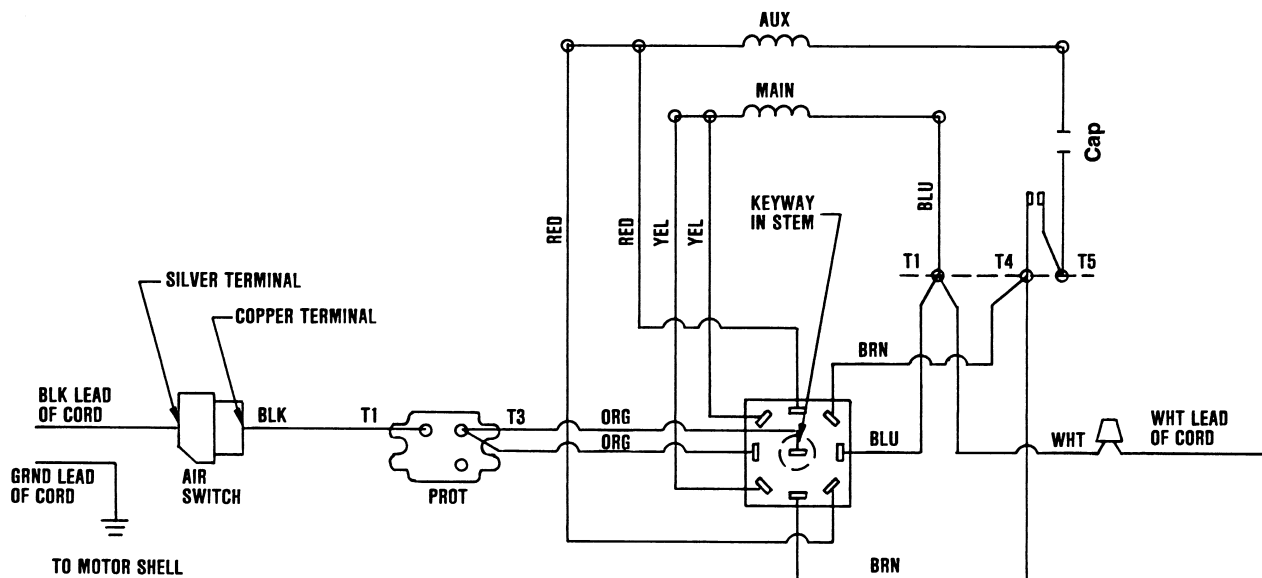
**120V 60 Hz Motor**

**NOTE: Order parts by Catalog Number only.  
DO NOT order by Reference Number.**

| Ref. No. | Catalog No. | Description   |
|----------|-------------|---|
| 1        | 23507       | Rubber Boot   |
| 2        | 61490       | Switch Guard  |
| 3        | 23512       | Rubber Washer   |
| 4        | 41817       | Switch  |
| 5        | 23687       | FOR/REV Label   |
| 6        | 44877       | Lead Wire Assembly                                    |
| 7        | 32992       | Air Switch  |
| 8        | 96265       | Strain Relief   |
| 9        | 67422       | Thermal Protector                                     |
| 10       | 70447       | 120V 60Hz Motor Assembly<br>(Includes Ref. No. 1 - 9) |
| 11       | 50507       | 120V Power Cord w/GFCI                                |
| 12       | 44635       | Wire Nut  |
| 13       | 44072       | Foot Switch Assembly                                  |
| 14       | 35142       | Hose Clamp  |



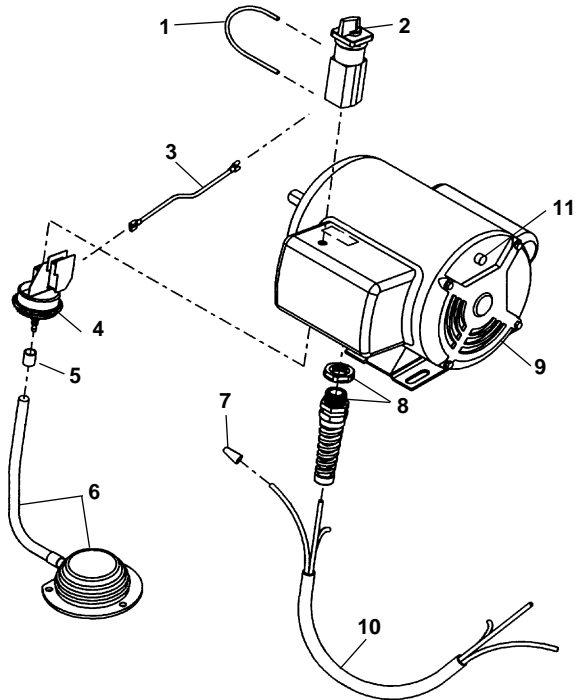
**Wiring Diagram  
120V 60 Hz Motor**



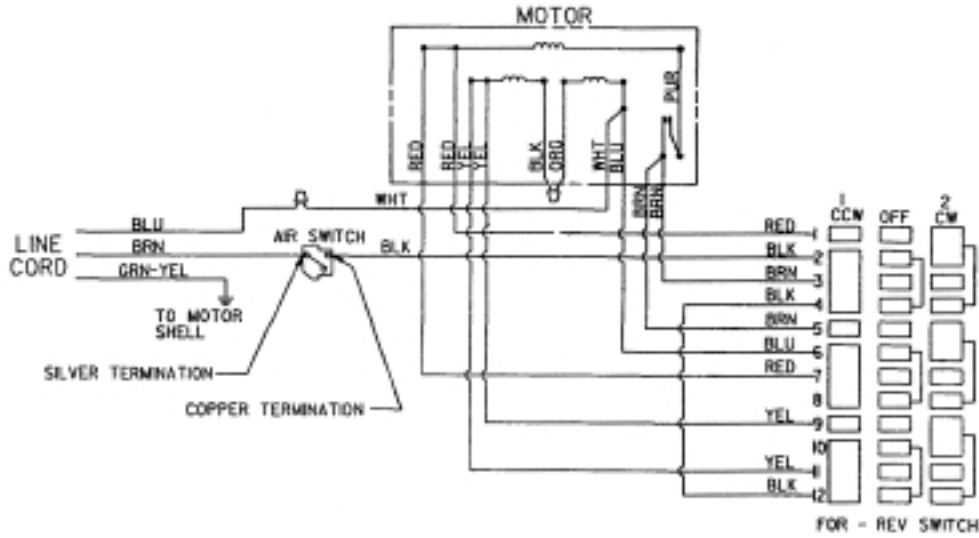
**50Hz Motor**

NOTE: Order parts by Catalog Number only.  
DO NOT order by Reference Number.

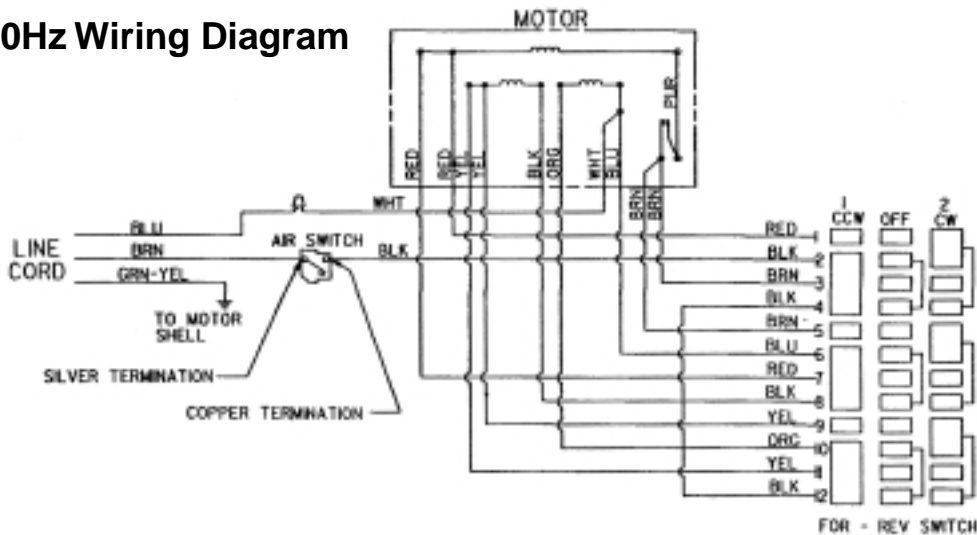
| Ref. No. | Catalog No. | Description                       |
|----------|-------------|-----------------------------------|
| 1        | 44882       | Jumper Wire Assembly              |
| 2        | 44862       | Switch (Australia & Europe)       |
| 3        | 44877       | Lead Wire Assembly                |
| 4        | 32992       | Air Switch                        |
| 5        | 35142       | Hose Clamp                        |
| 6        | 44072       | Foot Switch Assembly              |
| 7        | 44635       | Wire Nut                          |
| 8        | 27187       | Strain Relief                     |
| 9        | 45052       | 220/240V 50Hz Motor Assembly      |
|          | 44517       | 220/240V 50Hz Motor Assy. (Eur.)  |
|          | 44522       | 220/230V 50Hz Motor Assy. (Aust.) |
| 10       | 15707       | 220V Power Cord                   |
|          | 39562       | 220V Power Cord (Europe)          |
|          | 44512       | 240V Power Cord (Australia)       |
| 11       | 67417       | Thermal Protector                 |



**220/240V 50Hz Wiring Diagram**

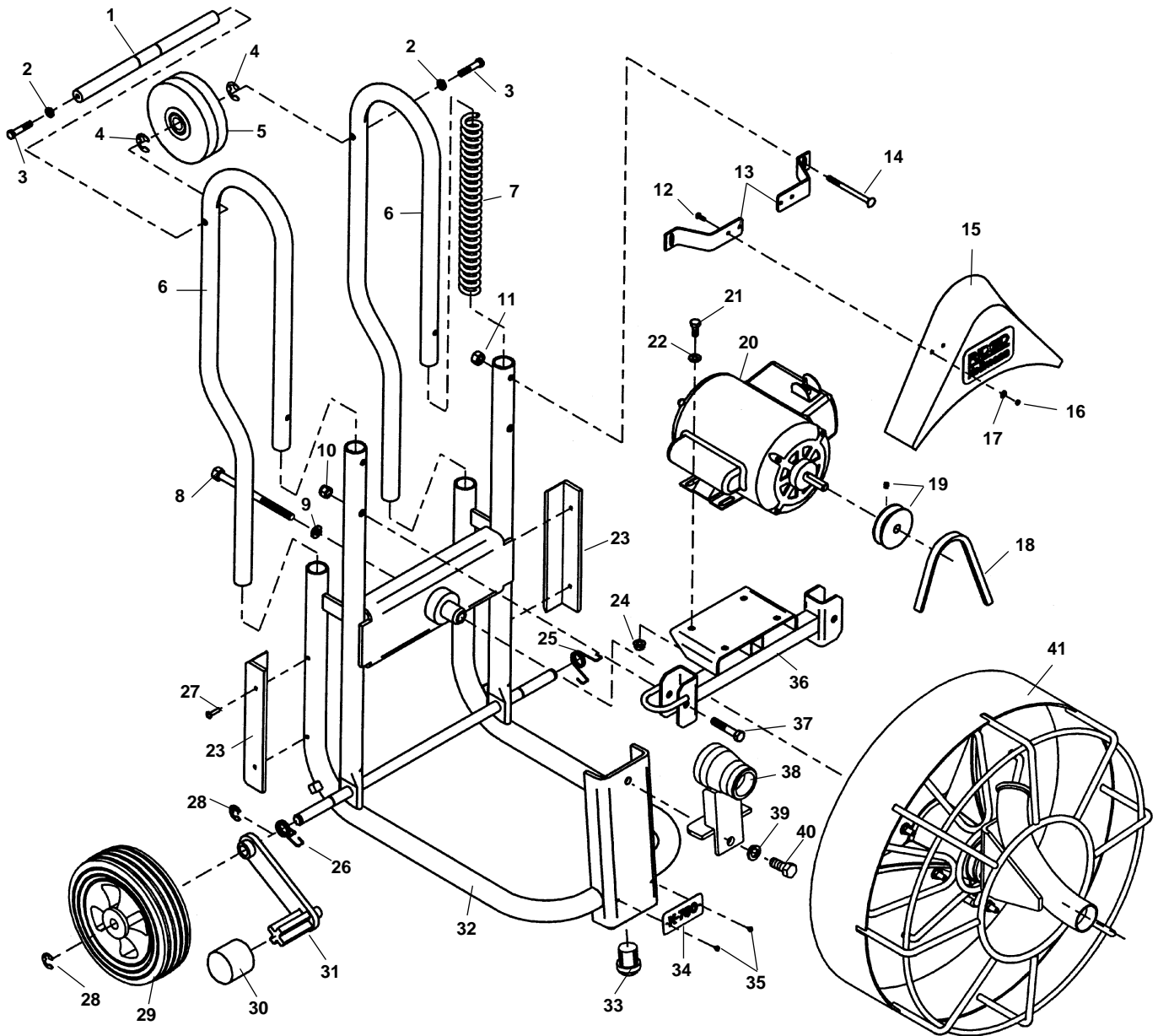


**110V 50Hz Wiring Diagram**





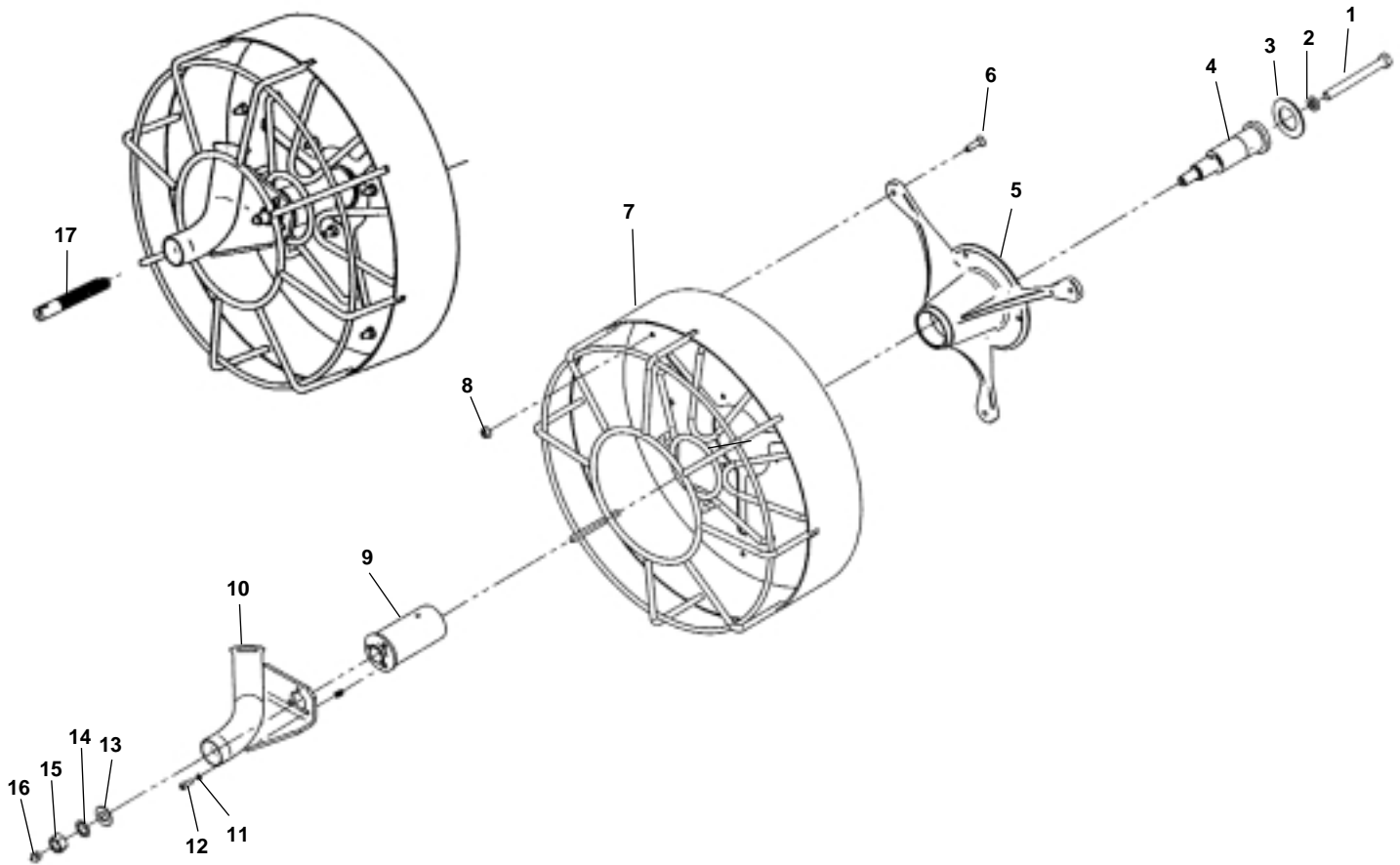
**Frame and Drum Assembly**



**NOTE: Order parts by Catalog Number only.  
DO NOT order by Reference Number.**

| Ref. No. | Catalog No. | Description                      | Ref. No. | Catalog No. | Description              | Ref. No. | Catalog No. | Description                 |
|----------|-------------|----------------------------------|----------|-------------|--------------------------|----------|-------------|-----------------------------|
| 1        | 46632       | Axle                             | 15       | 44027       | Belt Guard               | 29       | 93325       | Wheel (2)                   |
| 2        | 60080       | Lock Washer 5/16" (2)            | 16       | 87970       | Nut 10-24 (2)            | 30       | 23607       | End Cap (2)                 |
| 3        | 43847       | Hex Bolt 5/16" - 18 x 1 1/2" (2) | 17       | 61310       | External Lock Washer (2) | 31       | 43912       | Stabilizer (2)              |
| 4        | 60050       | Retaining Ring (2)               | 18       | 43997       | Drive Belt               | 32       | 43902       | Frame Assembly              |
| 5        | 46637       | Loading Wheel                    | 19       | 43982       | Motor Pulley             | 33       | 61470       | Rest Button                 |
| 6        | 43952       | Handle (2)                       | 20       | 70447       | 120V 60Hz Motor Assembly | 34       | 43907       | Name Plate                  |
| 7        | 84127       | Compression Spring               | 21       | 61130       | Screw (4)                | 35       | 76730       | Drive Screw (4)             |
| 8        | 43937       | Screw 1/2" - 13 x 5"             | 22       | 60060       | 5/16" Flat Washer (4)    | 36       | 43987       | Motor Mount Assembly        |
| 9        | 43942       | 1/2" Lock Washer                 | 23       | 43927       | Stair Climber (2)        | 37       | 43992       | Hex Head Screw 3/8"-16 x 2" |
| 10       | 43947       | Lock Nut                         | 24       | 27517       | 5/16"-18 Lock Nut (4)    | 38       | 54427       | Manual Feed Assembly        |
| 11       | 45407       | 1/4" - 20 Handle Nut             | 25       | 43922       | Stabilizer Spring R.H.   | 39       | 43942       | 1/2" Lock Washer            |
| 12       | 43962       | Screw 10 - 24 x 1/2" (2)         | 26       | 43917       | Stabilizer Spring L.H.   | 40       | 45287       | Hex Head Screw 1/2"-13 x 2" |
| 13       | 43967       | Guard Bracket                    | 27       | 43932       | Self Tapping Screw (4)   | 41       | 84122       | K-750R Drum Assembly        |
| 14       | 43972       | Carriage Bolt (2)                | 28       | 42580       | Retaining Clip (4)       |          |             |                             |

**Drum Assembly**



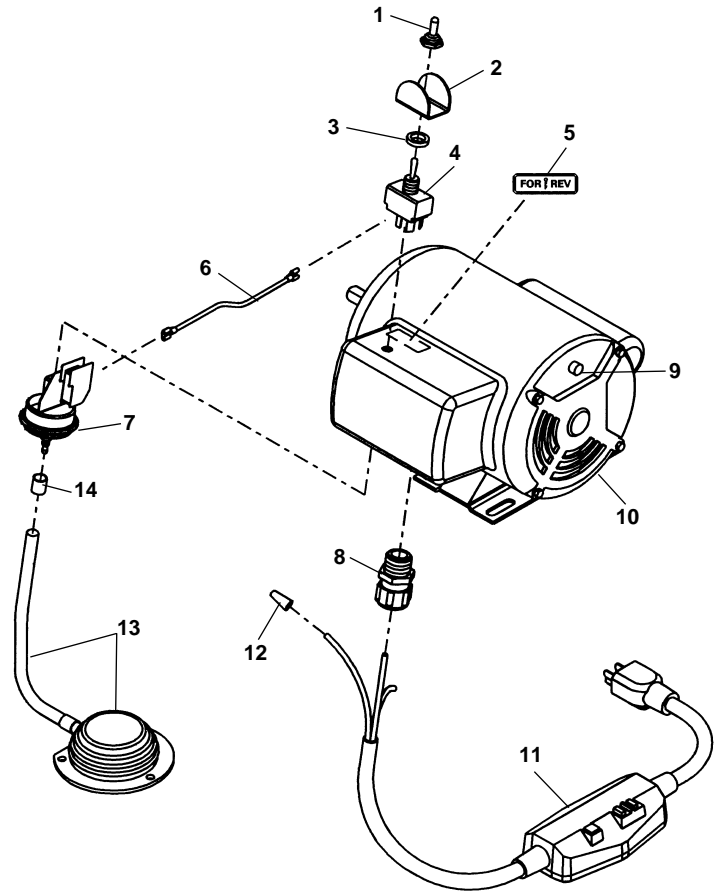
**NOTE: Order parts by Catalog Number only.  
DO NOT order by Reference Number.**

| Ref. No. | Catalog No. | Description                   |
|----------|-------------|-------------------------------|
| —        | 84122       | Drum Assembly                 |
| 1        | 43937       | Hex Head Screw 1/2" - 13 x 5" |
| 2        | 43942       | 1/2" Lock Washer              |
| 3        | 44007       | Thrust Washer                 |
| 4        | 44002       | Drum Shaft                    |
| 5        | 44017       | Support Hub                   |
| 6        | 44012       | Hex Screw 5/16" - 18 x 1" (3) |
| 7        | 84422       | K-750 Cage Weldment           |
| 8        | 27517       | Lock Nut (3)                  |
| 9        | 44022       | Spindle Bearing               |
| 10       | 44037       | Guide Tube Assembly           |
| 11       | 45150       | 1/4" HiCollar Washer          |
| 12       | 44052       | 1/4" - 20 Washer              |
| 13       | 44042       | 5/8" Flat Washer              |
| 14       | 44047       | 5/8" Internal Lock Washer     |
| 15       | 44057       | Hex Nut 5/8" - 18             |
| 16       | 89815       | Grease Fitting                |
| 17       | 44122       | 5/8" Pigtail Assembly         |

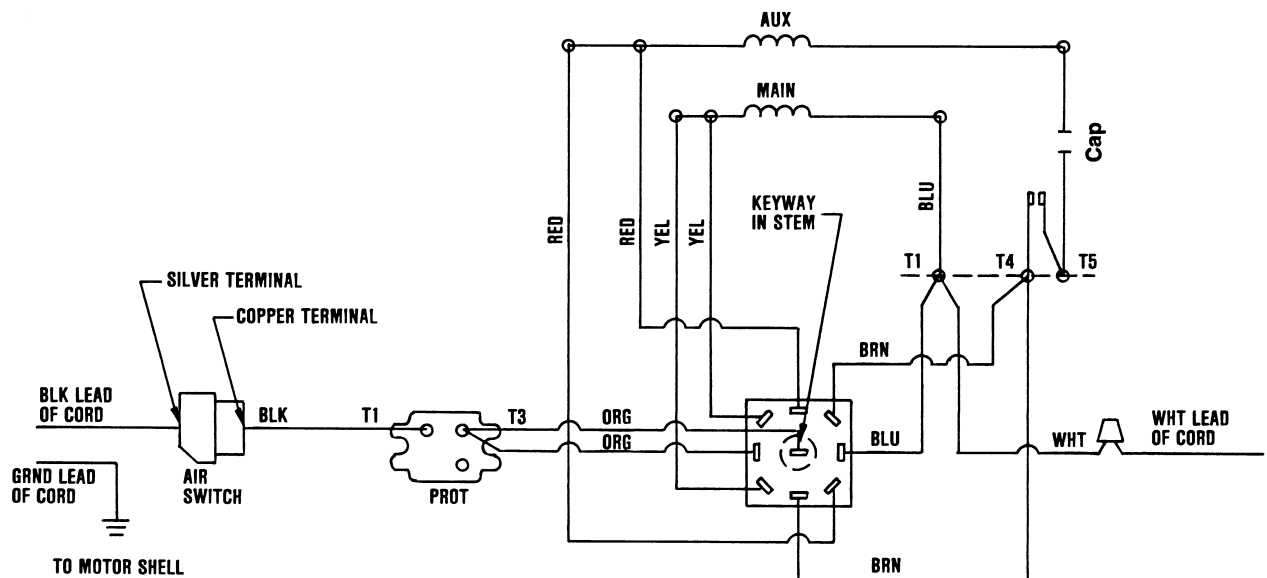
**120V 60 Hz Motor**

**NOTE: Order parts by Catalog Number only.  
DO NOT order by Reference Number.**

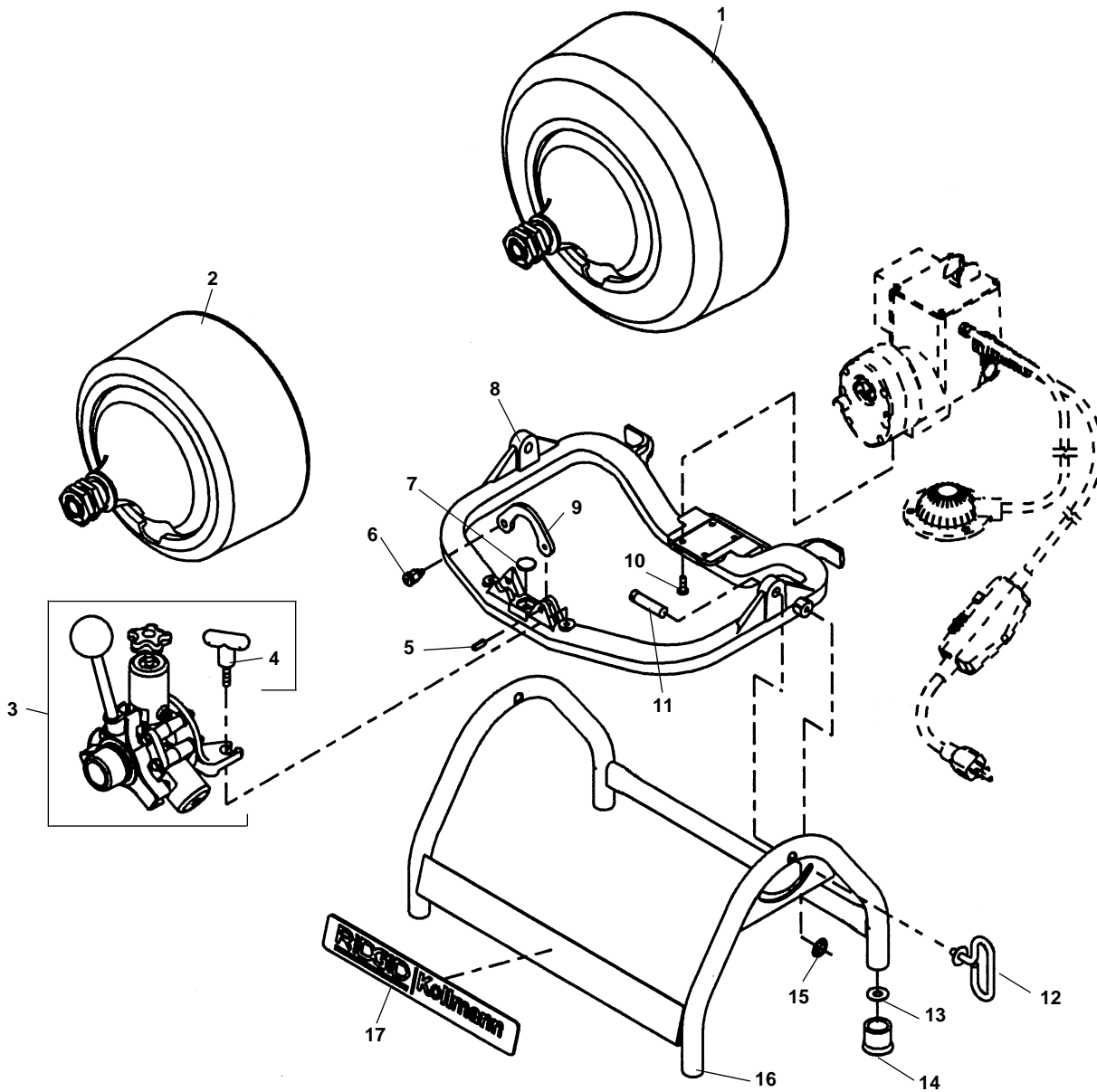
| Ref. No. | Catalog No. | Description   |
|----------|-------------|---|
| 1        | 23507       | Rubber Boot   |
| 2        | 61490       | Switch Guard  |
| 3        | 23512       | Rubber Washer   |
| 4        | 41817       | Switch  |
| 5        | 23687       | FOR/REV Label   |
| 6        | 44877       | Lead Wire Assembly                                    |
| 7        | 32992       | Air Switch  |
| 8        | 96265       | Strain Relief   |
| 9        | 67422       | Thermal Protector                                     |
| 10       | 70447       | 120V 60Hz Motor Assembly<br>(Includes Ref. No. 1 - 9) |
| 11       | 50507       | 120V Power Cord w/GFCI                                |
| 12       | 44635       | Wire Nut  |
| 13       | 44072       | Foot Switch Assembly                                  |
| 14       | 35142       | Hose Clamp  |



**Wiring Diagram  
120V 60 Hz Motor**



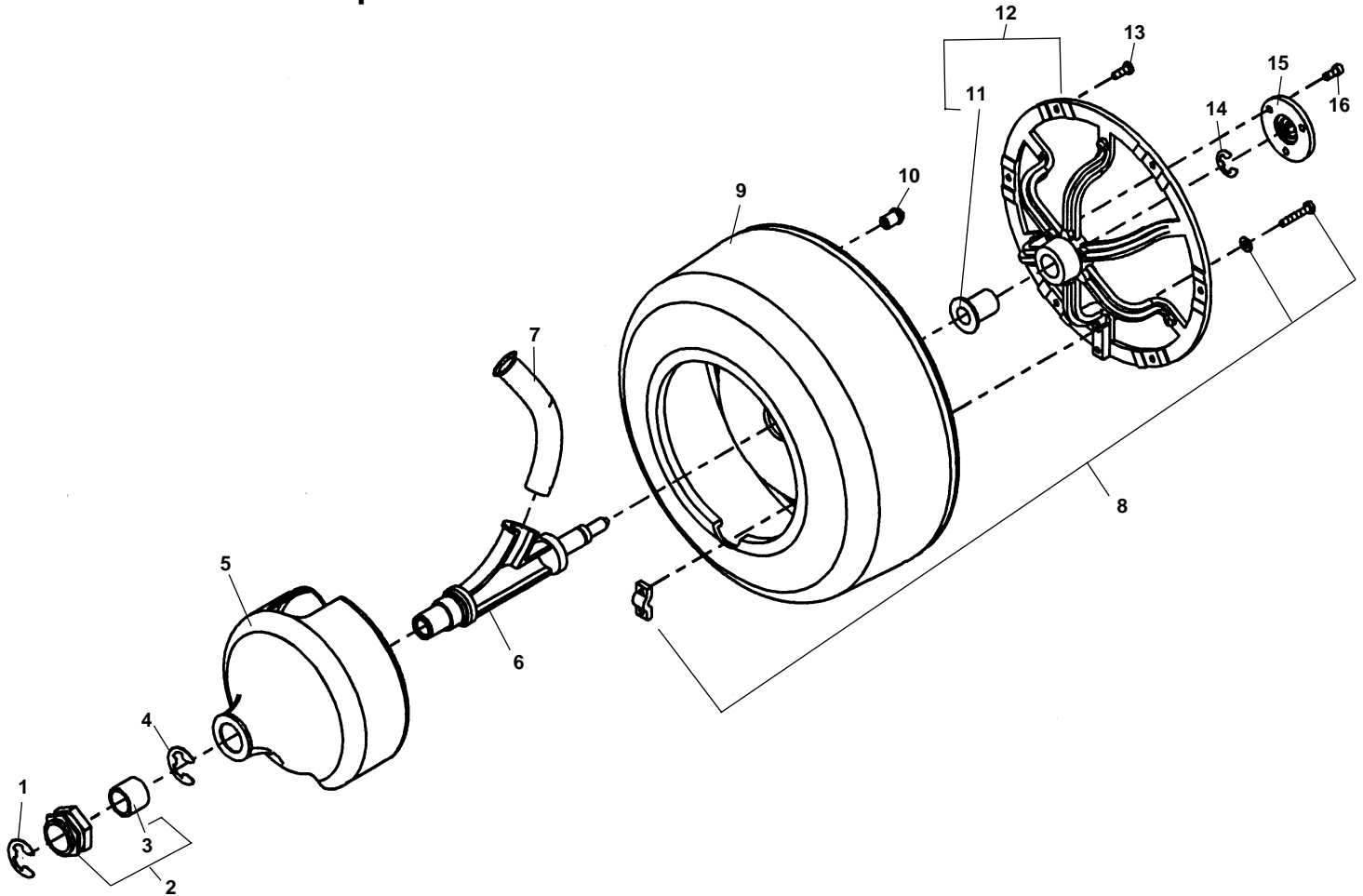
**Main Components**



**NOTE: Order parts by Catalog Number only.  
DO NOT order by Reference Number.**

| Ref. No. | Catalog No. | Description            | Ref. No. | Catalog No. | Description                |
|----------|-------------|------------------------|----------|-------------|----------------------------|
| 1        | 55002       | Standard Drum Assembly | 10       | 56152       | Screw 1/4" - 20 x 3/4" (4) |
| 2        | 55007       | Sink Drum Assembly     | 11       | 56172       | Pivot Pin                  |
| 3        | 60087       | Autofeed Assembly      | 12       | 56192       | Swivel Locking Handle      |
| 4        | 60672       | Retaining Knob (2)     | 13       | 44230       | Flat Washer 3/8"           |
| 5        | 56177       | Roll Pin 1/4" - 3/4"   | 14       | 37962       | Rubber End Cap (4)         |
| 6        | 59510       | Plunger Pin            | 15       | 67427       | Push Nut (2)               |
| 7        | 34320       | Wear Plug              | 16       | 56197       | Base                       |
| 8        | 56182       | Yoke                   | 17       | 56202       | Nameplate                  |
| 9        | 56187       | Bearing Clamp          |          |             |                            |

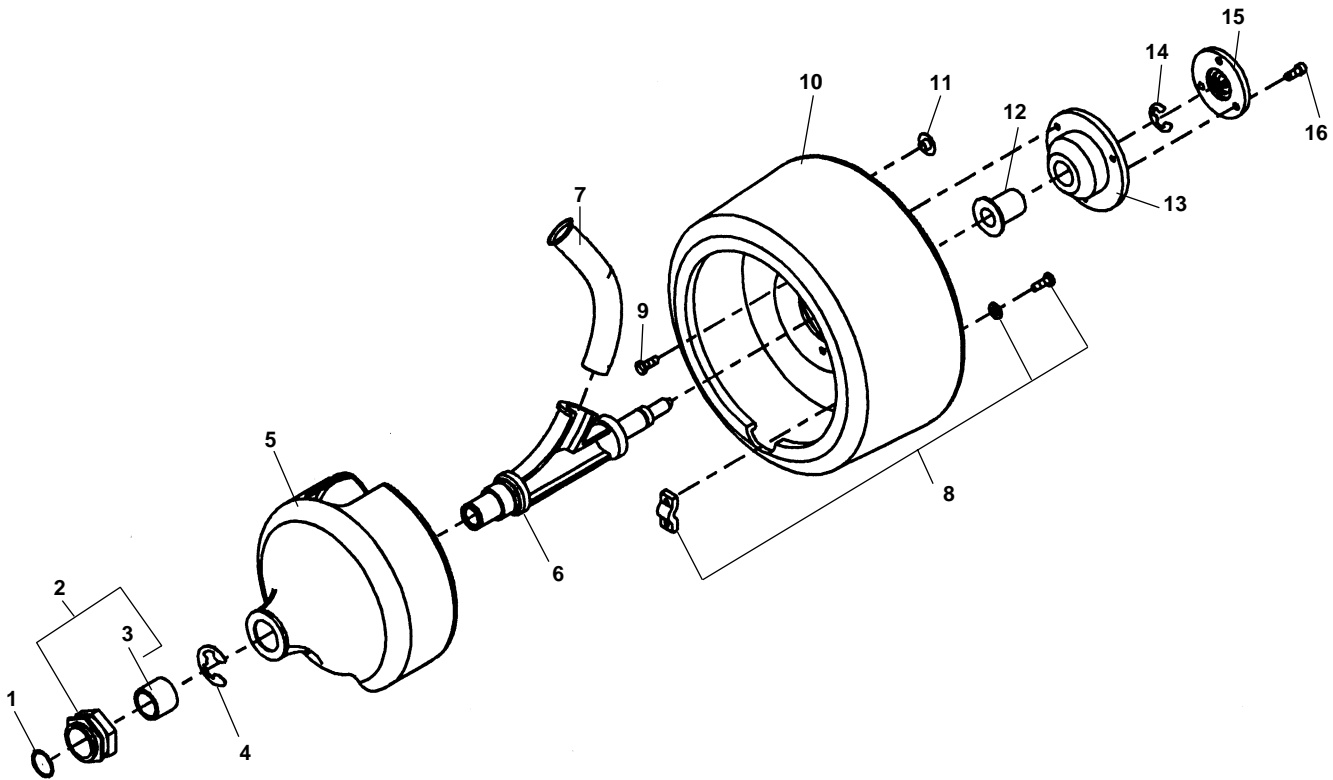
**Standard Drum Components**



**NOTE: Order parts by Catalog Number only.  
DO NOT order by Reference Number.**

| Ref. No. | Catalog No. | Description             | Ref. No. | Catalog No. | Description                |
|----------|-------------|-------------------------|----------|-------------|----------------------------|
| —        | 55002       | Standard Drum Assembly  | 9        | 56137       | Drum                       |
| 1        | 44860       | Retaining Ring          | 10       | 60552       | Drain Plug                 |
| 2        | 56107       | Bearing Block w/Bearing | 11       | 56157       | Flange Bearing             |
| 3        | 56112       | Front Bearing           | 12       | 56162       | Drum Support w/Bearing     |
| 4        | 56117       | Retaining Ring          | 13       | 56152       | Screw 1/4" - 20 x 3/4" (6) |
| 5        | 56122       | Inner Drum              | 14       | 60050       | Retaining Ring             |
| 6        | 56127       | Guide Tube Support      | 15       | 56167       | Drive Lug                  |
| 7        | 56132       | Guide Tube              | 16       | 39830       | Screw 1/4" - 20 x 5/8" (3) |
| 8        | 56147       | Cable Clamp Assembly    |          |             |                            |

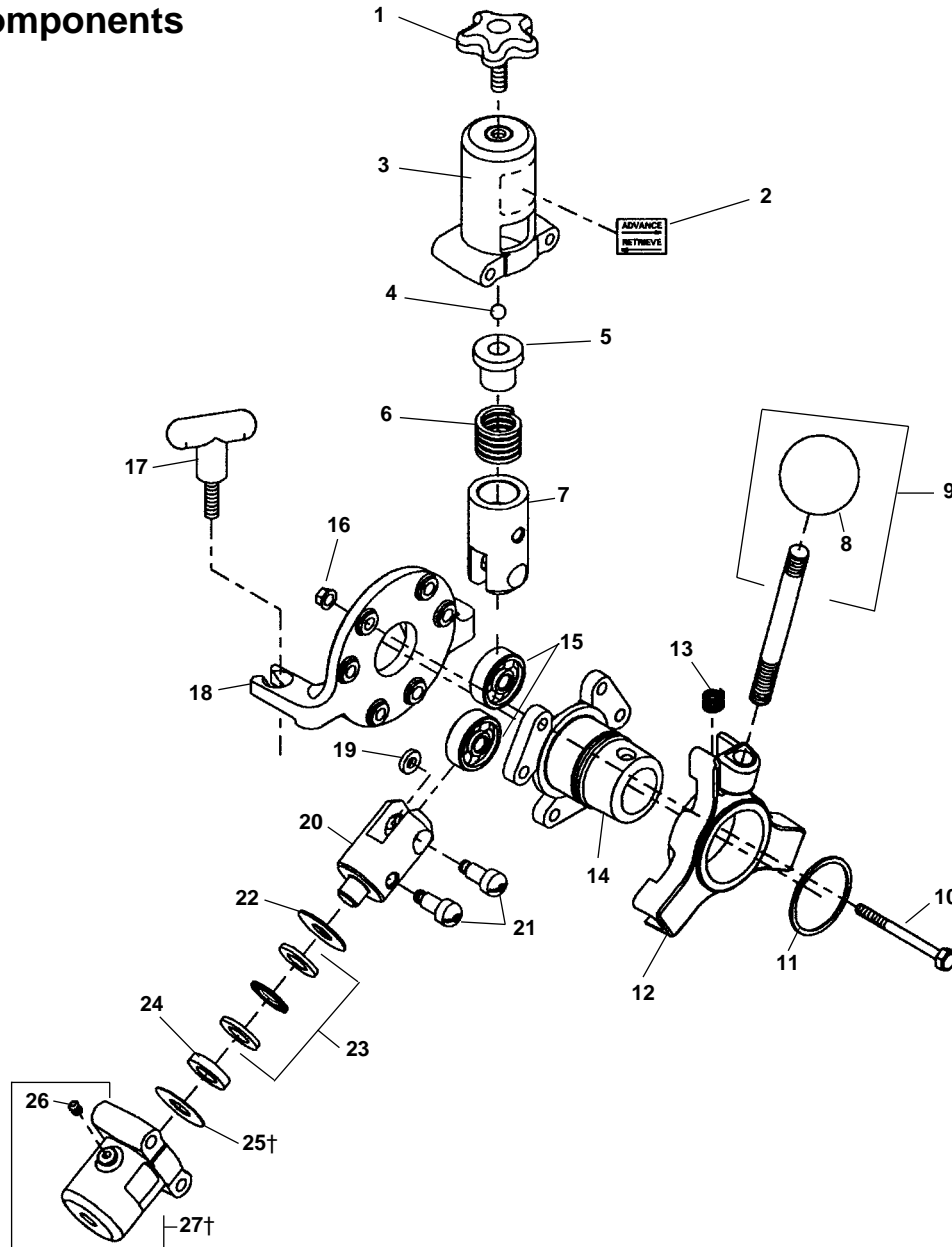
**Sink Drum Components**



**NOTE: Order parts by Catalog Number only.  
DO NOT order by Reference Number.**

| Ref. No. | Catalog No. | Description             | Ref. No. | Catalog No. | Description                |
|----------|-------------|-------------------------|----------|-------------|----------------------------|
| —        | 55007       | Sink Drum Assembly      | 9        | 56152       | Screw 1/4" - 20 x 3/4" (3) |
| 1        | 62402       | Retaining Ring          | 10       | 61212       | Sink Drum                  |
| 2        | 56107       | Bearing Block w/Bearing | 11       | 56142       | Drain Plug                 |
| 3        | 56112       | Front Bearing           | 12       | 56157       | Flange Bearing             |
| 4        | 56117       | Retaining Ring          | 13       | 61217       | Drum Support               |
| 5        | 56122       | Inner Drum              | 14       | 60050       | Retaining Ring             |
| 6        | 56127       | Guide Tube Support      | 15       | 56167       | Drive Lug                  |
| 7        | 56132       | Guide Tube              | 16       | 39830       | Screw 1/4" - 20 x 5/8" (3) |
| 8        | 56147       | Cable Clamp Assembly    |          |             |                            |

**Autofeed Components**

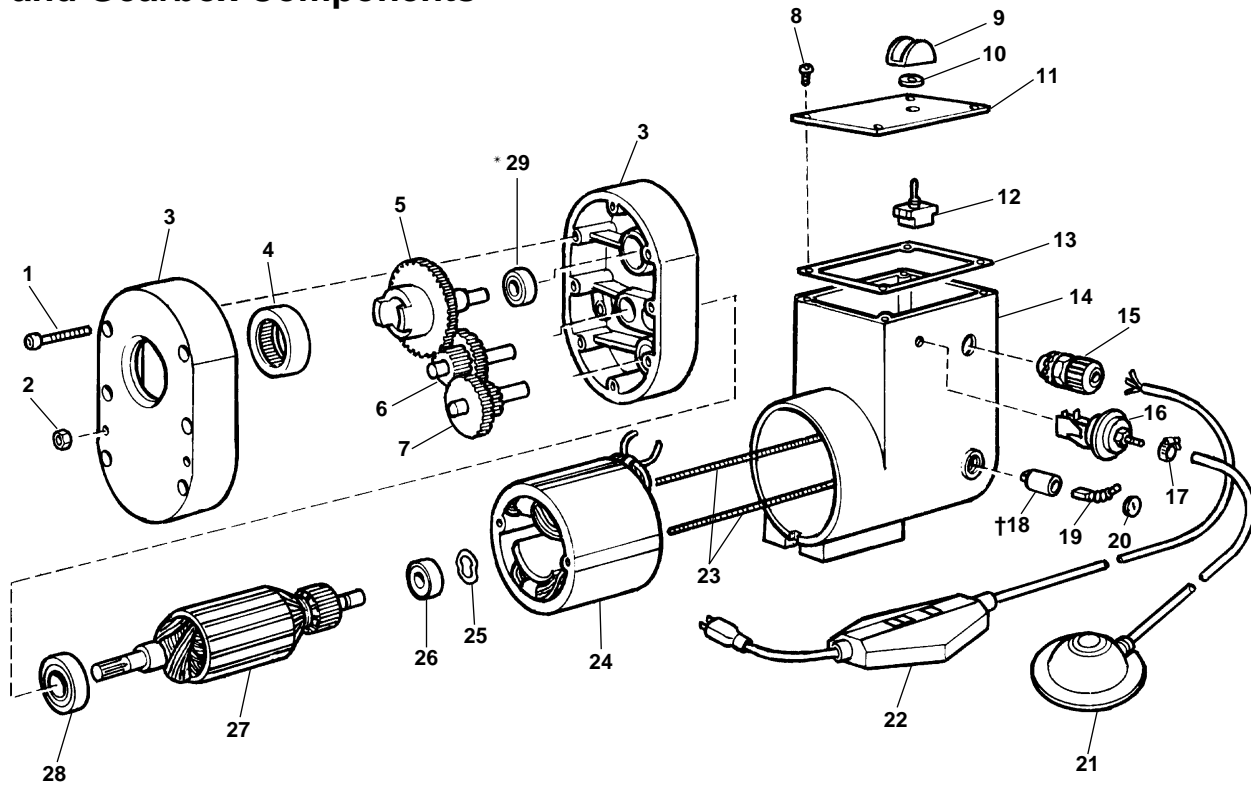


**NOTE: Order parts by Catalog Number only.  
DO NOT order by Reference Number.**

| Ref. No. | Catalog No. | Description   | Ref. No. | Catalog No. | Description                                      |
|----------|-------------|---|----------|-------------|--|
| —        | 60087       | Autofeed Assembly   | 14       | 60747       | Front Support Plate                              |
| 1        | 60682       | Feed Knob   | 15       | 60752       | Roller Bearing (3)                               |
| 2        | 60762       | Advance/Retrieve Label                                      | 16       | 27517       | Lock Nut <sup>5</sup> / <sub>16</sub> " - 18 (6) |
| 3        | 60692       | Top Roller Housing  | 17       | 60672       | Handle (2)                                       |
| 4        | 60702       | Ball  | 18       | 61222       | Back Support Plate                               |
| 5        | 93475       | Ball Holder   | 19       | 60717       | Bearing Spacer (3)                               |
| 6        | 93375       | Spring  | 20       | 60722       | Stationary Roller Housing (2)                    |
| 7        | 60707       | Movable Roller Holder                                       | 21       | 60732       | Actuator Pin (6)                                 |
| 8        | 59585       | Knob  | 22       | 68362       | Spacer 0.12" (2)                                 |
| 9        | 93630       | Clutch Handle Assy. w/Knob                                  | 23       | 68367       | Thrust Bearing Assembly (2)                      |
| 10       | 60737       | Bolt <sup>9</sup> / <sub>16</sub> " - 18 x 3", Hex Head (6) | 24       | 68372       | Spacer 0.235" (2)                                |
| 11       | 44112       | Retaining Ring  | 25†      | 68377       | Spacer 0.06" (2)                                 |
| 12       | 60742       | Actuator  | 26       | 89810       | Grease Fitting (4)                               |
| 13       | 60697       | Return Spring   | 27†      | 60727       | Stationary Roller Housing (2)                    |

† Service Note: Remove the 0.06" spacers (Ref. No. 25) from the stationary roller holders (Ref. No. 27) to use the autofeed on 1/2" cable.

**Motor and Gearbox Components**



**NOTE: Order parts by Catalog Number only.  
DO NOT order by Reference Number.**

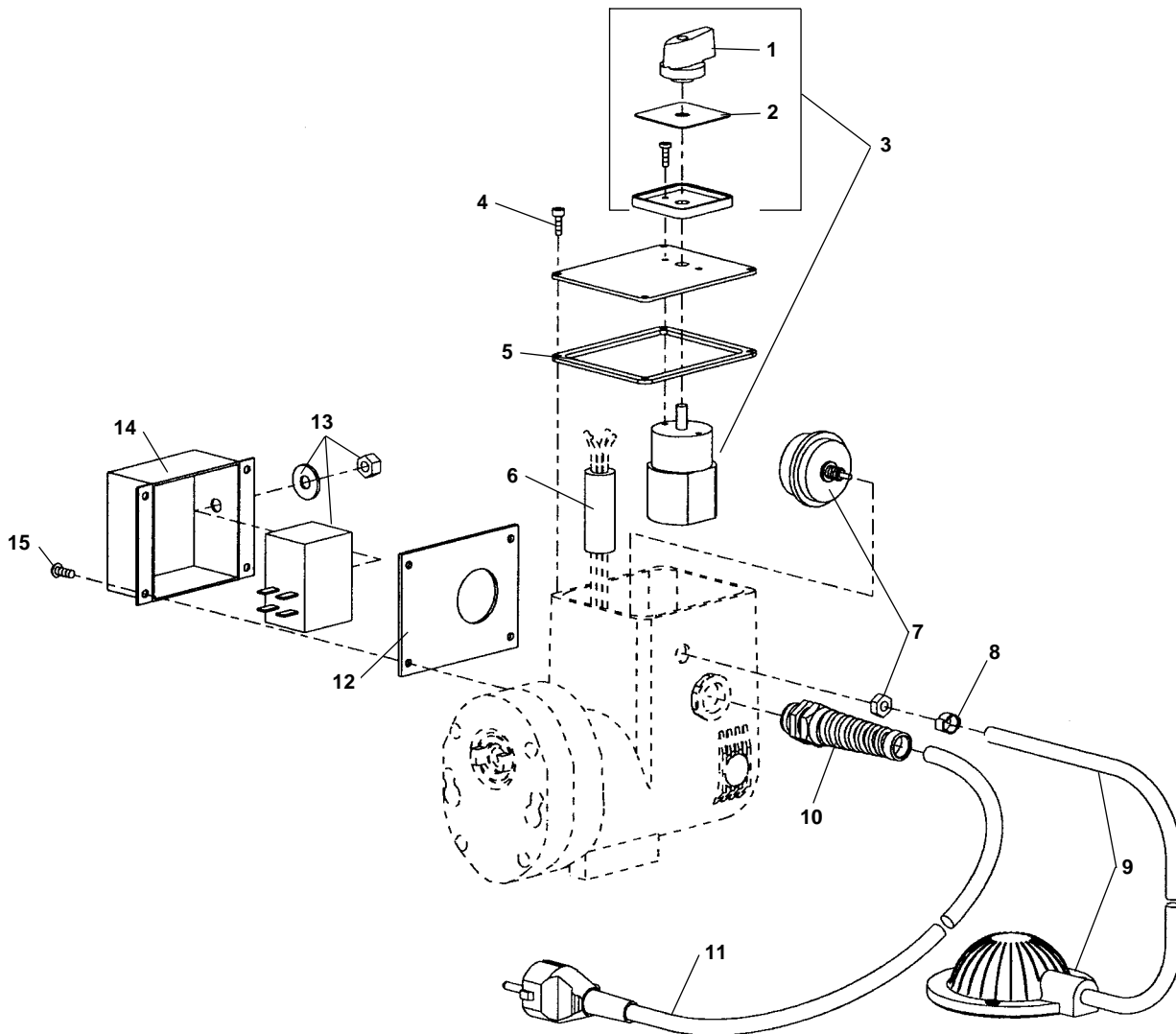
| Ref. No. | Catalog No. | Description                     | Ref. No. | Catalog No.         | Description             |
|----------|-------------|---------------------------------|----------|---------------------|-------------------------|
| —        | 56207       | Motor/Gear Box Assembly 115V    | †18      | 56267               | Brush Holder Set        |
| —        | 62432       | Motor/Gear Box Assembly 230V    | —        | 56272               | Brush Holder Screw (2)  |
| —        | 61707       | Motor/Gear Box Assy. 100V Japan | 19       | 56277               | Brush Set               |
| 1        | 65942       | 10 - 32 x 1" Screw (6)          | 20       | 56282               | Brush Cap Set           |
| 2        | 76190       | 8 - 32 Hex Nut (4)              | 21       | 37967               | Foot Switch Assembly    |
| 3        | 56217       | Gear Box Housing w/Bearings     | 22       | 50507               | GFI Line Cord 115V      |
| 4        | 56222       | Bearing and Seal Set            | 15707    | Line Cord 230V      |                         |
| 5        | 56227       | Output Shaft Assembly           | 60237    | Line Cord 100V      |                         |
| 6        | 66792       | 2nd Int. Gear                   | 23       | 56287               | Field Stud (2)          |
| 7        | 66787       | 1st Int. Gear                   | 24       | 56292               | Field Assembly 110/115V |
| 8        | 81125       | 10 - 32 x 1/2" Screw (4)        | 60257    | Field Assembly 230V |                         |
| 9        | 61490       | Switch Guard                    | 60247    | Field Assembly 100V |                         |
| 10       | 23512       | Rubber Washer                   | 25       | 56297               | Wavy Washer             |
| 11       | 56247       | Cover                           | 26       | 56302               | Bearing                 |
| 12       | 56252       | Toggle Switch                   | 27       | 56307               | Armature 110/115V       |
| 13       | 56257       | Cover Gasket                    | 60252    | Armature 230V       |                         |
| 14       | 56262       | Motor Housing                   | 60242    | Armature 100V       |                         |
| 15       | 96265       | Strain Relief                   | 28       | 56312               | Bearing                 |
| 16       | 32992       | Air Switch                      | *29      | 56332               | Thrust Bearing          |
| 17       | 35142       | Hose Clamp                      |          |                     |                         |

†Service Note: Brush holder screws are located under field studs (Ref. No. 23).

\* Ref. 29 Assemble stamped end into housing.



**European Electrical Components**

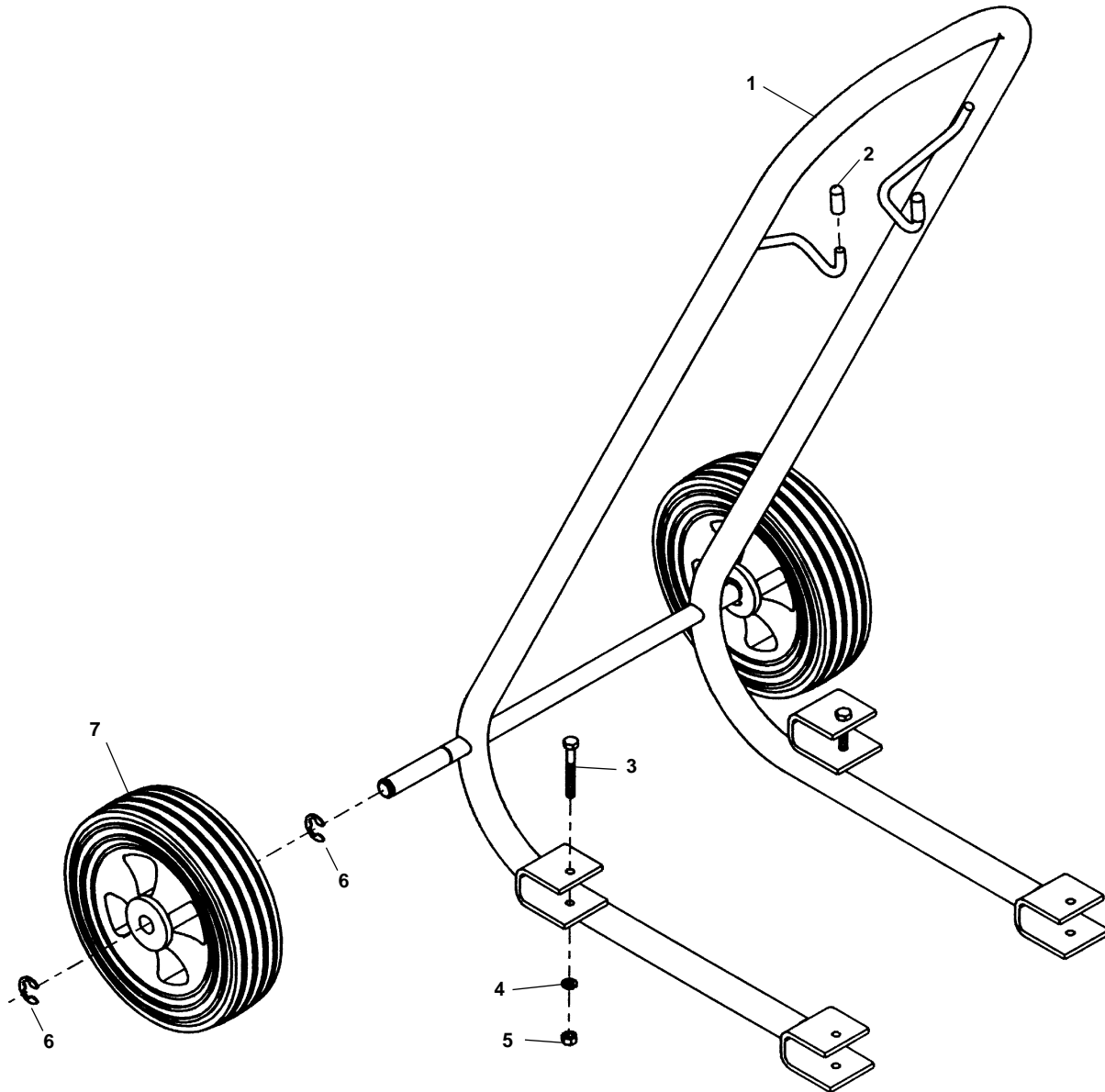


**NOTE: Order parts by Catalog Number only.  
DO NOT order by Reference Number.**

| Ref. No. | Catalog No. | Description                  | Ref. No. | Catalog No. | Description               |
|----------|-------------|------------------------------|----------|-------------|---------------------------|
| —        | 67892       | 220V Motor Assembly - Europe | 8        | 35142       | Clamp                     |
| —        | 67897       | 110V Motor Assembly - Europe | 9        | 37967       | Foot Switch w/Hose        |
| 1        | 61397       | Switch Knob                  | 10       | 27187       | Strain Relief w/Lock Nut  |
| 2        | 57517       | Face Plate                   | 11       | 39562       | Power Cord - 220V         |
| 3        | 54157       | Switch Assembly              |          | 45022       | Power Cord - 110V         |
| 4        | 81125       | Screw 10 - 32 x 1/2" (4)     | 12       | 67907       | Gasket                    |
| 5        | 56257       | Gasket                       | 13       | 63372       | Suppressor w/Washer & Nut |
| 6        | 63377       | Ferrite Bead                 | 14       | 67902       | Suppressor Box            |
| 7        | 32992       | Air Switch                   | 15       | 36787       | Screw #10 Self-tapping    |

Note: Refer to Motor and Gearbox Components for internal motor parts.

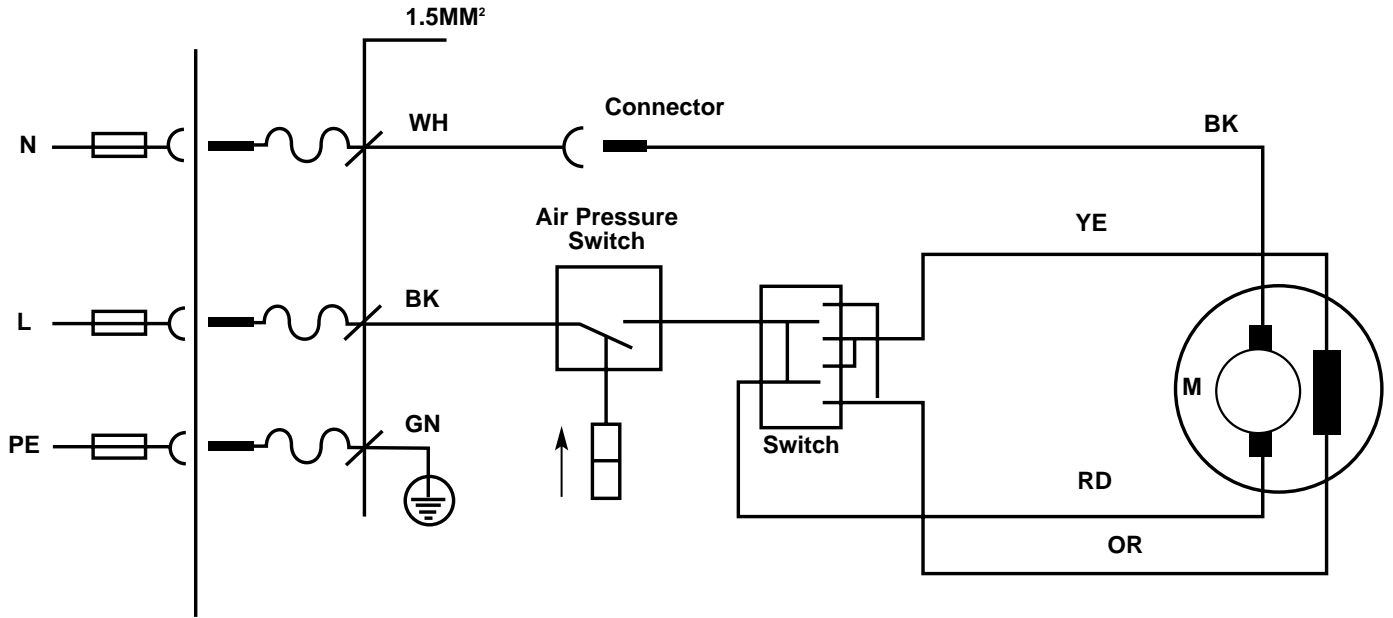
**Transport Cart Components**



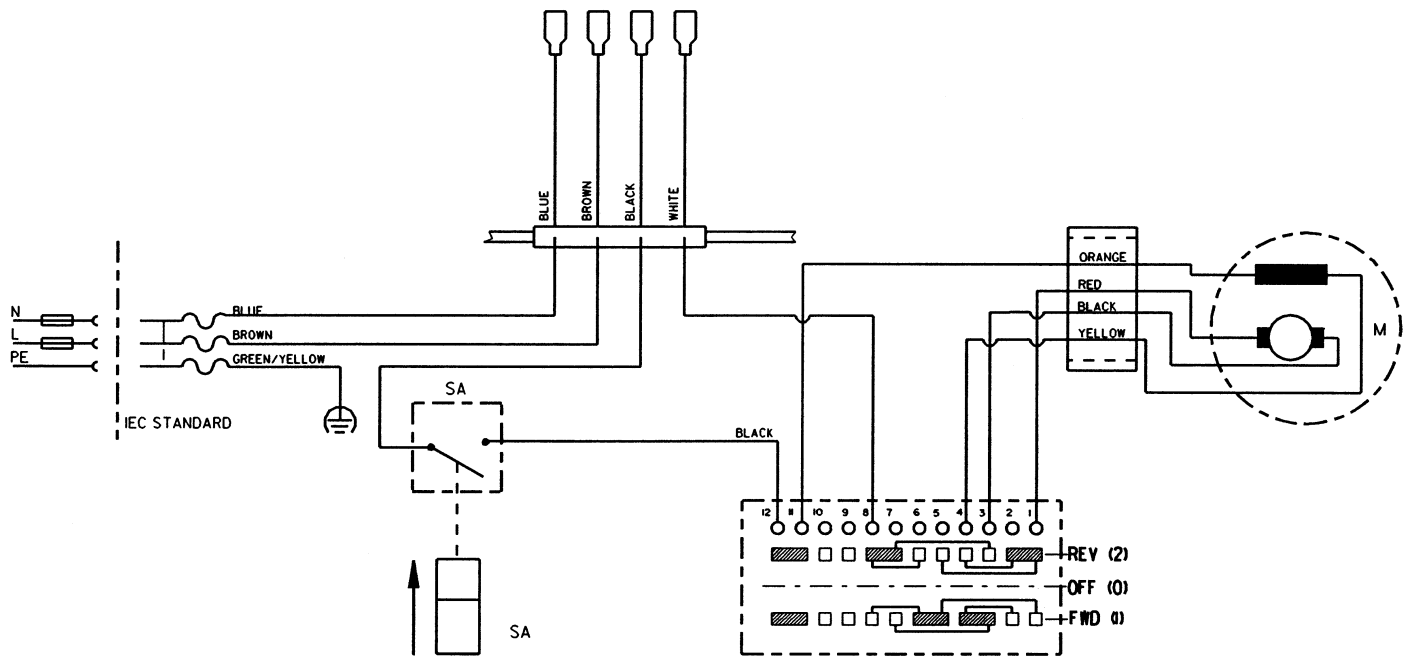
**NOTE: Order parts by Catalog Number only.  
DO NOT order by Reference Number.**

| <b>Ref. No.</b> | <b>Catalog No.</b> | <b>Description</b>      |
|-----------------|--------------------|-------------------------|
| —               | 55017              | Transport Cart          |
| 1               | 64872              | Frame                   |
| 2               | 50202              | Vinyl Cap (2)           |
| 3               | 64877              | Bolt 1/4" – 20 x 2" (2) |
| 4               | 60075              | Lock Washer (2)         |
| 5               | 77710              | Jam Nut (2)             |
| 6               | 62647              | Retaining Ring (4)      |
| 7               | 93325              | Wheel (2)               |

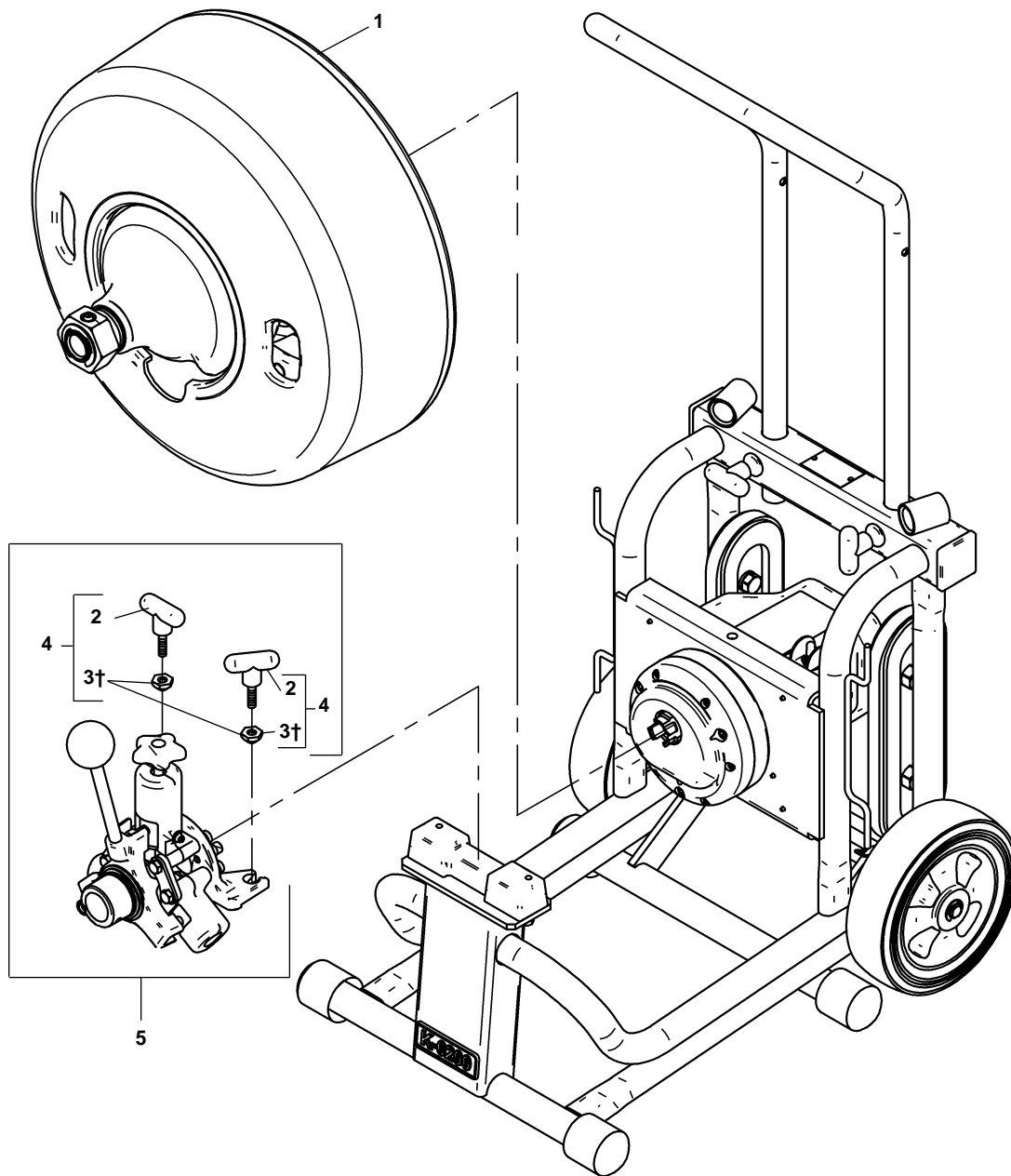
**Wiring Diagram 115V/25-60 Hz**



**Wiring Diagram 110/220V 50 Hz**



**Main Components**

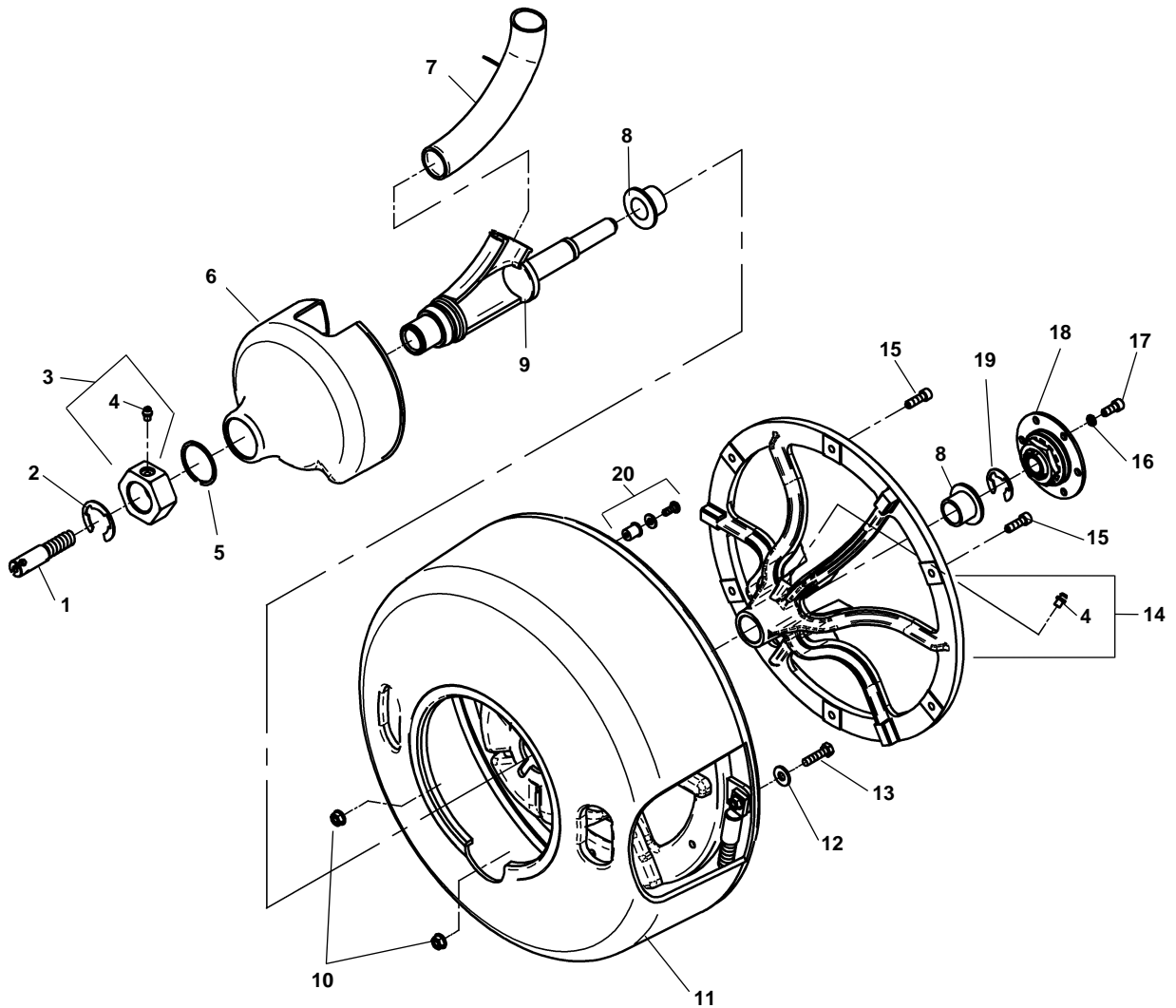


**NOTE: Order parts by Catalog Number only.  
DO NOT order by Reference Number.**

| Ref. No. | Catalog No. | Description                |
|----------|-------------|----------------------------|
| 1        | 95802       | Drum Assembly              |
| 2        | 60622       | Mounting Knob (2)          |
| 3†       | 95832       | Locator Ring (2)           |
| 4        | 60672       | Mounting Knob Assembly (2) |
| 5        | 95812       | Autofeed Assembly          |

† Apply Loctite to Locator Ring.

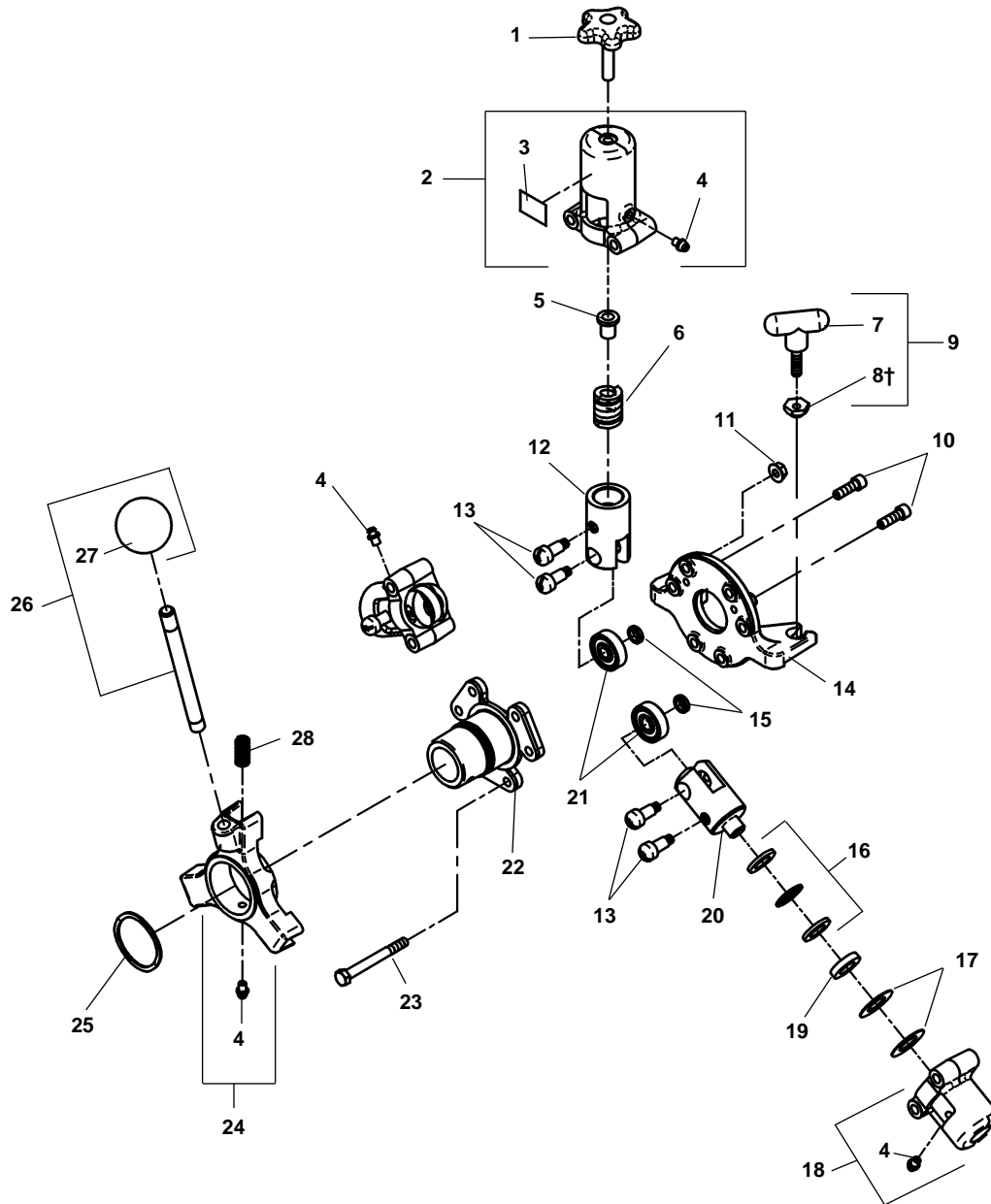
**Standard Drum Components**



**NOTE: Order parts by Catalog Number only.  
DO NOT order by Reference Number.**

| Ref. No. | Catalog No. | Description                           | Ref. No. | Catalog No. | Description  |
|----------|-------------|---------------------------------------|----------|-------------|--|
| —        | 95802       | Drum Assembly                         | 11       | 95662       | Drum   |
| 1        | 44122       | Pigtail                               | 12       | 35005       | Washer, Flat $\frac{5}{16}$ "                            |
| 2        | 64042       | Retaining Clip                        | 13       | 60515       | Screw, Hex Head $\frac{5}{16}$ " - 18 x $1\frac{1}{4}$ " |
| 3        | 95692       | Bearing Block                         | 14       | 95667       | Drum Support   |
| 4        | 89810       | Grease Fitting (2)                    | 15       | 61020       | Screw, Socket Head $\frac{5}{16}$ " - 18 x 1" (6)        |
| 5        | 95697       | Retaining Ring                        | 16       | 95837       | Washer, Lock $\frac{5}{16}$ " (3)                        |
| 6        | 95687       | Inner Drum                            | 17       | 32270       | Screw, $\frac{5}{16}$ " - 18 x $\frac{3}{4}$ " (3)       |
| 7        | 95682       | Guide Tube                            | 18       | 95702       | Clutch Assembly  |
| 8        | 95672       | Flange Bearing (2)                    | 19       | 44860       | Retaining Clip   |
| 9        | 95677       | Guide Tube Shaft                      | 20       | 60552       | Drain Plug   |
| 10       | 27517       | Nut, Flange $\frac{5}{16}$ " - 18 (7) |          |             |  |

**Autofeed**

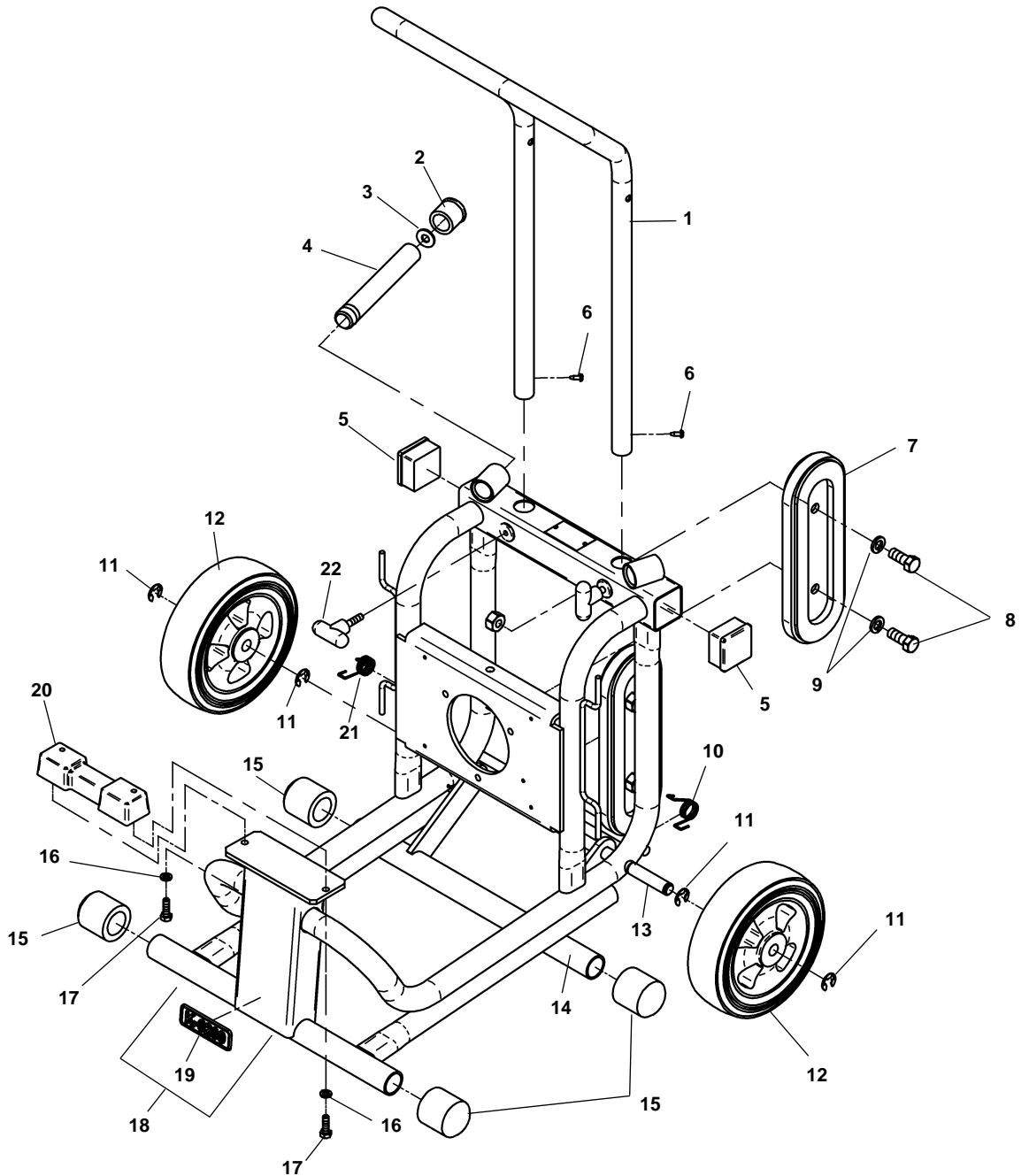


**NOTE: Order parts by Catalog Number only.  
DO NOT order by Reference Number.**

| Ref. No. | Catalog No. | Description                             | Ref. No. | Catalog No. | Description                        |
|----------|-------------|---|----------|-------------|------------------------------------|
| —        | 95812       | Autofeed Assembly                       | 15       | 60717       | Bearing Spacer (3)                 |
| 1        | 60682       | Feed Knob                               | 16       | 68367       | Thrust Bearing Assembly (2)        |
| 2        | 60692       | Top Roller Housing                      | 17       | 60037       | Spacer (4)                         |
| 3        | 60762       | Advance/Retrieve Label                  | 18       | 60727       | Stationary Roller Housing (2)      |
| 4        | 89810       | Grease Fitting (4)                      | 19       | 68372       | Spacer 0.235" (2)                  |
| 5        | 93475       | Ball Holder                             | 20       | 60722       | Stationary Roller Holder (2)       |
| 6        | 93375       | Spring                                  | 21       | 60752       | Roller Bearing (3)                 |
| 7        | 60622       | Mounting Knob (2)                       | 22       | 60747       | Front Support Plate                |
| 8†       | 95832       | Locator Ring (2)                        | 23       | 60737       | Bolt 5/16" - 18 x 3", Hex Head (6) |
| 9        | 60672       | Mounting Knob Assembly (2)              | 24       | 60742       | Actuator                           |
| 10       | 32270       | Screw Socket Head 5/16" - 18 x 3/4" (2) | 25       | 44112       | Retaining Ring                     |
| 11       | 27517       | Lock Nut 5/16" - 18 (6)                 | 26       | 93630       | Clutch Handle Assembly w/Knob      |
| 12       | 60707       | Movable Roller Holder                   | 27       | 59585       | Knob                               |
| 13       | 60732       | Actuator Pin (6)                        | 28       | 60697       | Return Spring                      |
| 14       | 95632       | Back Support Plate                      |          |             |                                    |

† Apply Loctite to Locator Ring

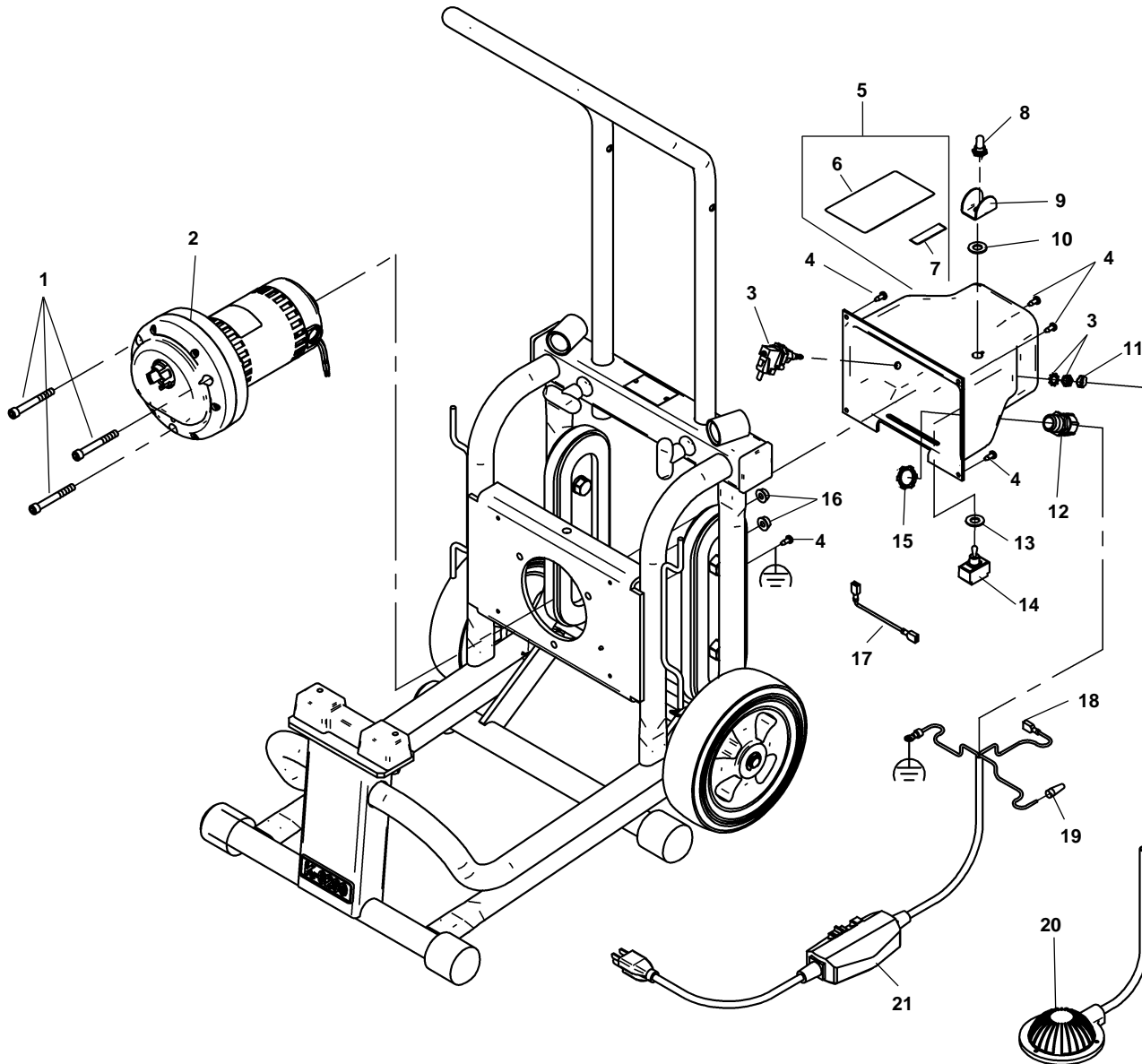
**Frame**



**NOTE: Order parts by Catalog Number only.  
DO NOT order by Reference Number.**

| Ref. No. | Catalog No. | Description                           | Ref. No. | Catalog No. | Description                         |
|----------|-------------|---------------------------------------|----------|-------------|-------------------------------------|
| 1        | 95657       | Handle                                | 12       | 93325       | Wheel (2)                           |
| 2        | 37962       | Rubber Tip (2)                        | 13       | 95642       | Axle                                |
| 3        | 44215       | Washer, Flat (2)                      | 14       | 95647       | Stabilizer                          |
| 4        | 95867       | Pipe Leg (2)                          | 15       | 23607       | End Cap (2)                         |
| 5        | 66027       | Square Plug (2)                       | 16       | 60080       | Washer, Lock 5/16" (2)              |
| 6        | 68937       | Self-Tap Screw (2)                    | 17       | 60820       | Screw, Hex Head 5/16" - 18 x 1" (2) |
| 7        | 60607       | Stairclimber (2)                      | 18       | 95637       | Frame                               |
| 8        | 60020       | Bolt, Hex Head 1/2" - 13 x 1 1/2" (4) | 19       | 95707       | Model Plate                         |
| 9        | 43942       | Washer, Lock 1/2" (4)                 | 20       | 95652       | Autofeed Support                    |
| 10       | 43917       | Spring LH                             | 21       | 43922       | Spring RH                           |
| 11       | 42580       | Retaining Ring (4)                    | 22       | 60622       | Mounting Knob (2)                   |

**Electrical Components**

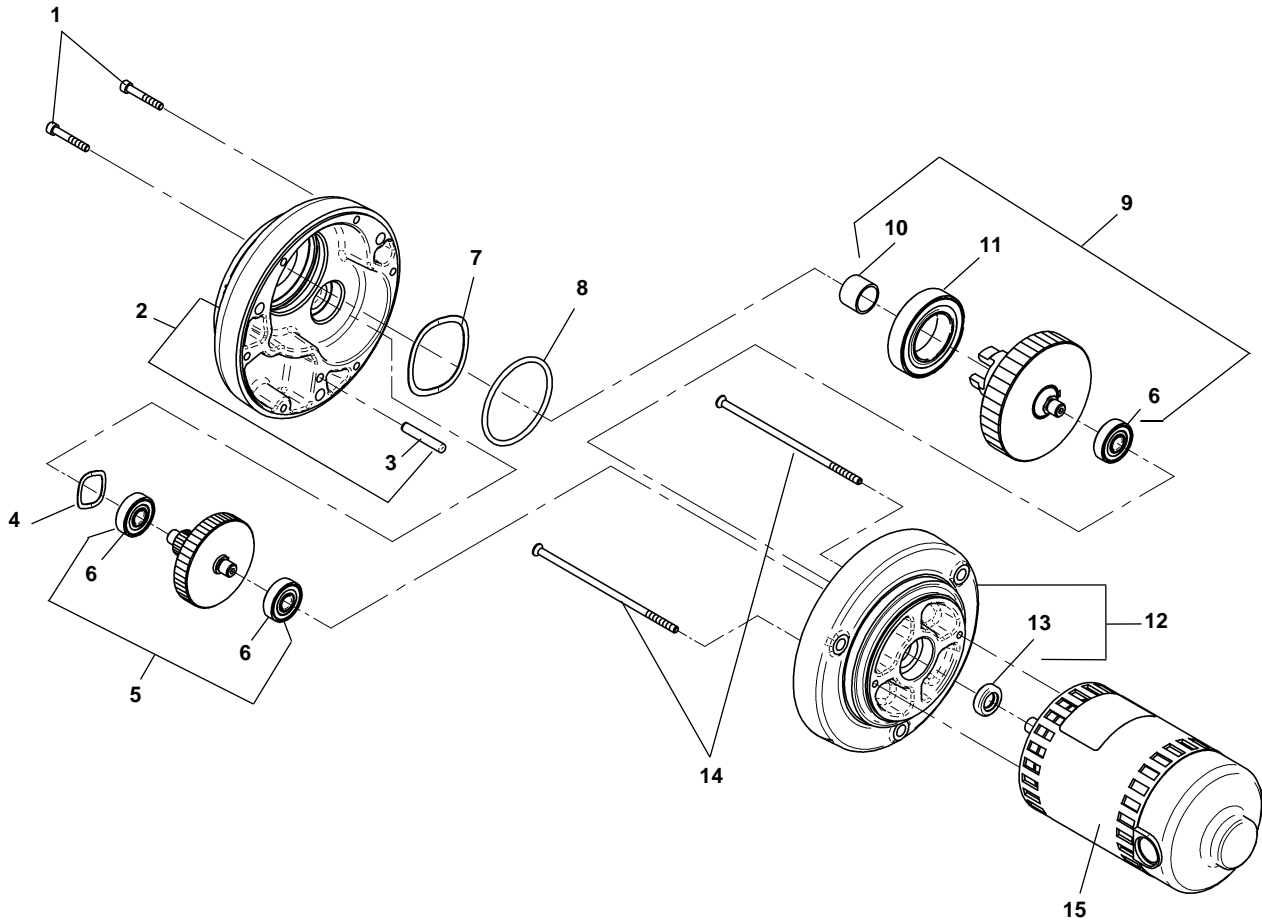


**NOTE: Order parts by Catalog Number only.  
DO NOT order by Reference Number.**

| Ref. No. | Catalog No. | Description   | Ref. No. | Catalog No. | Description                           |
|----------|-------------|---|----------|-------------|---------------------------------------|
| 1        | 27107       | Screw, Socket Head $\frac{5}{16}$ " - 18 x $2\frac{1}{2}$ " (3) | 12       | 96265       | Strain Relief                         |
| 2        | 95622       | Motor Gearbox Assembly  | 13       | 66892       | Locking Ring                          |
| 3        | 32992       | Air Switch  | 14       | 56252       | Switch                                |
| 4        | 68937       | Screw, Self-Tapping (5)   | 15       | 80065       | Nut, $\frac{3}{4}$ " NPT              |
| 5        | 92627       | Motor Cover   | 16       | 27517       | Nut, Flange $\frac{5}{16}$ " - 18 (3) |
| 6        | 60767       | Warning Decal   | 17       | 95842       | Jumper Wire Assembly                  |
| 7        | 23687       | Forward-Off-Reverse Decal                                       | 18       | 48072       | Quick Disconnect, Female (6)          |
| 8        | 23507       | Rubber Boot   | 19       | 44635       | Wire Nut                              |
| 9        | 61940       | Switch Guard  | 20       | 60462       | Foot Switch                           |
| 10       | 23512       | Rubber Washer   | 21       | 50507       | Power Cord, GFCI                      |
| 11       | 35142       | Hose Clamp  |          |             |                                       |



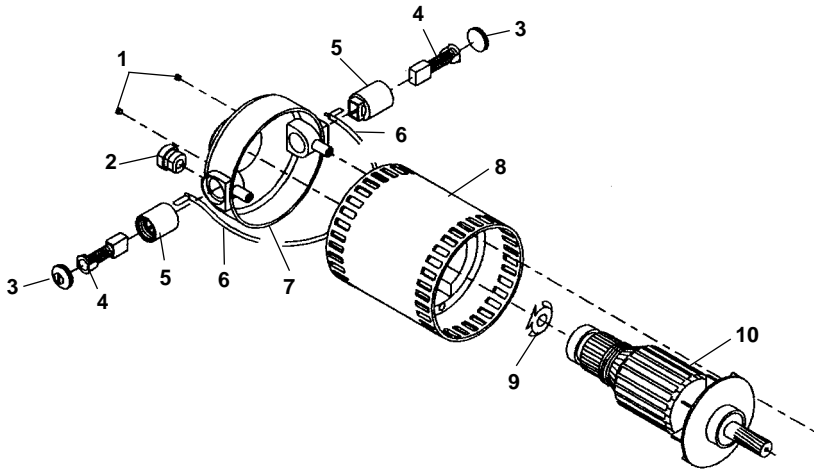
**Motor/Gearbox Components**



**NOTE: Order parts by Catalog Number only.  
DO NOT order by Reference Number.**

| Ref. No. | Catalog No. | Description                     | Ref. No. | Catalog No. | Description          |
|----------|-------------|---------------------------------|----------|-------------|----------------------|
| —        | 95622       | Motor/Gearbox Assembly          | 8        | 95942       | O-Ring               |
| 1        | 90255       | Screw                           | 9        | 95947       | Output Gear Assembly |
| 2        | 95922       | Gearcase, Front                 | 10       | 95952       | Sleeve Bearing       |
| 3        | 95927       | Pin                             | 11       | 95957       | Bearing              |
| 4        | 58502       | Wave Washer                     | 12       | 95962       | Gear Case, Back      |
| 5        | 95932       | Gear Assembly, 1st Intermediate | 13       | 95967       | Seal                 |
| 6        | 44760       | Bearing                         | 14       | 60532       | Screw                |
| 7        | 95937       | Wave Washer                     | 15       | 95972       | Motor                |

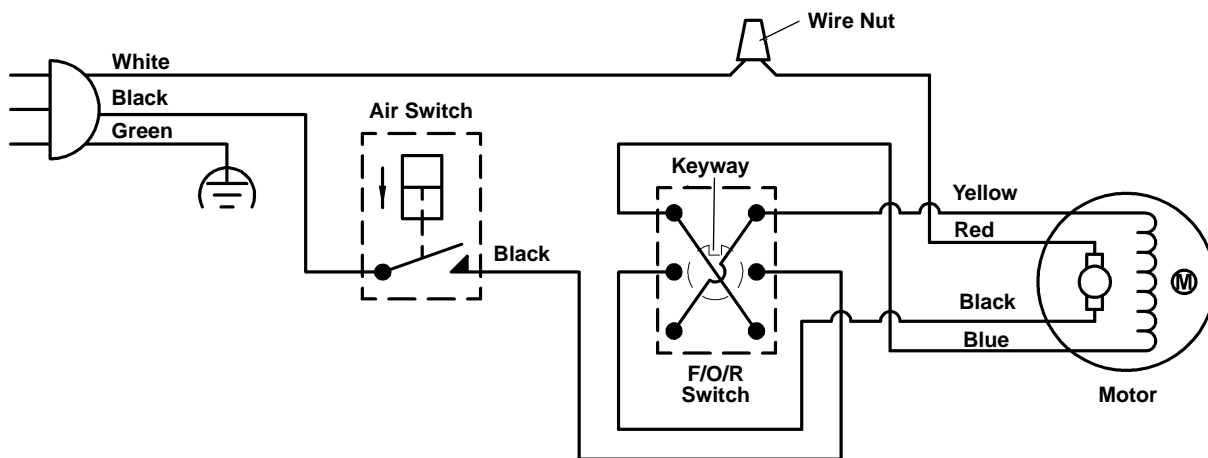
**Motor Components**



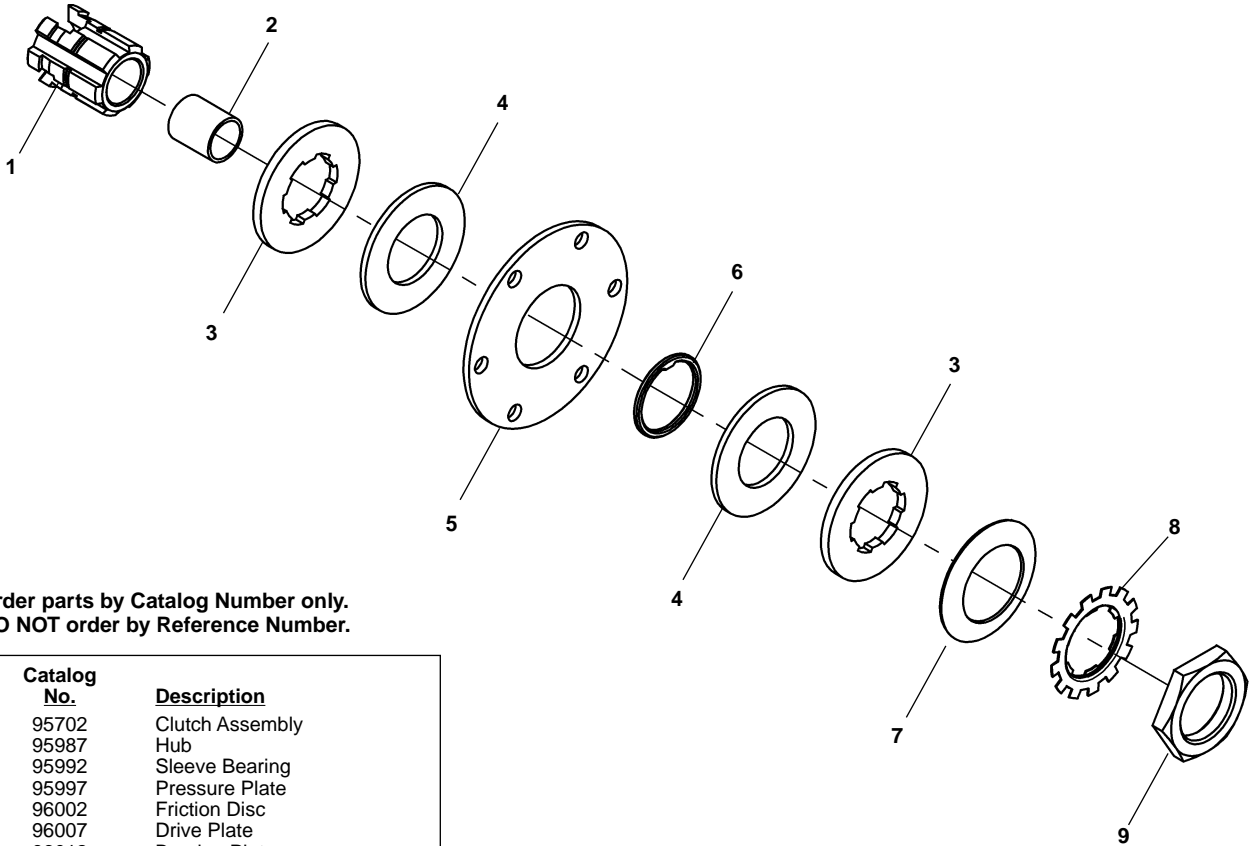
**NOTE: Order parts by Catalog Number only.  
DO NOT order by Reference Number.**

| Ref. No. | Catalog No. | Description        |
|----------|-------------|--------------------|
| —        | 95972       | Motor              |
| 1        | 60492       | Brush Holder Screw |
| 2        | 69467       | Strain Relief      |
| 3        | 60467       | Brush Cap Set      |
| 4        | 60472       | Brush Set          |
| 5        | 60482       | Brush Holder Set   |
| 6        | 60487       | Brush Lead Set     |
| 7        | 60522       | Rear Housing       |
| 8        | 95927       | Field w/Housing    |
| 9        | 60512       | Loading Spring     |
| 10       | 95982       | Armature w/Bearing |

**Wiring Diagram**



**Clutch**

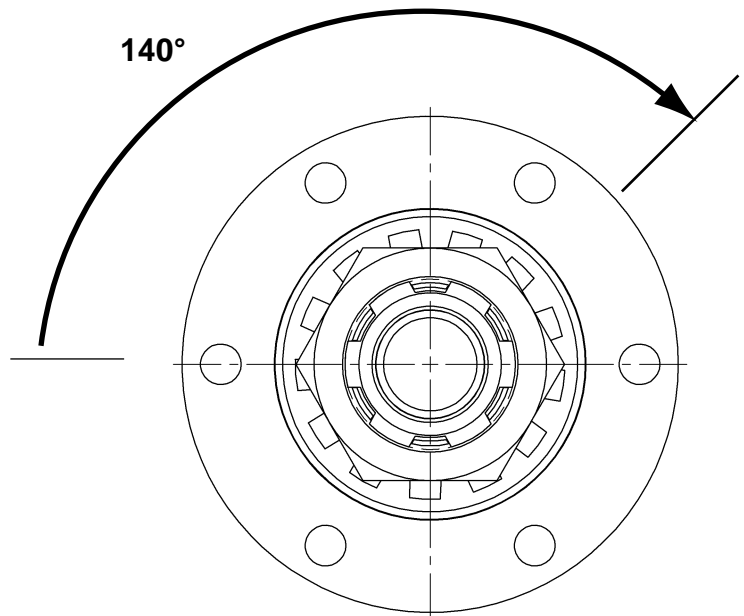


**NOTE: Order parts by Catalog Number only.  
DO NOT order by Reference Number.**

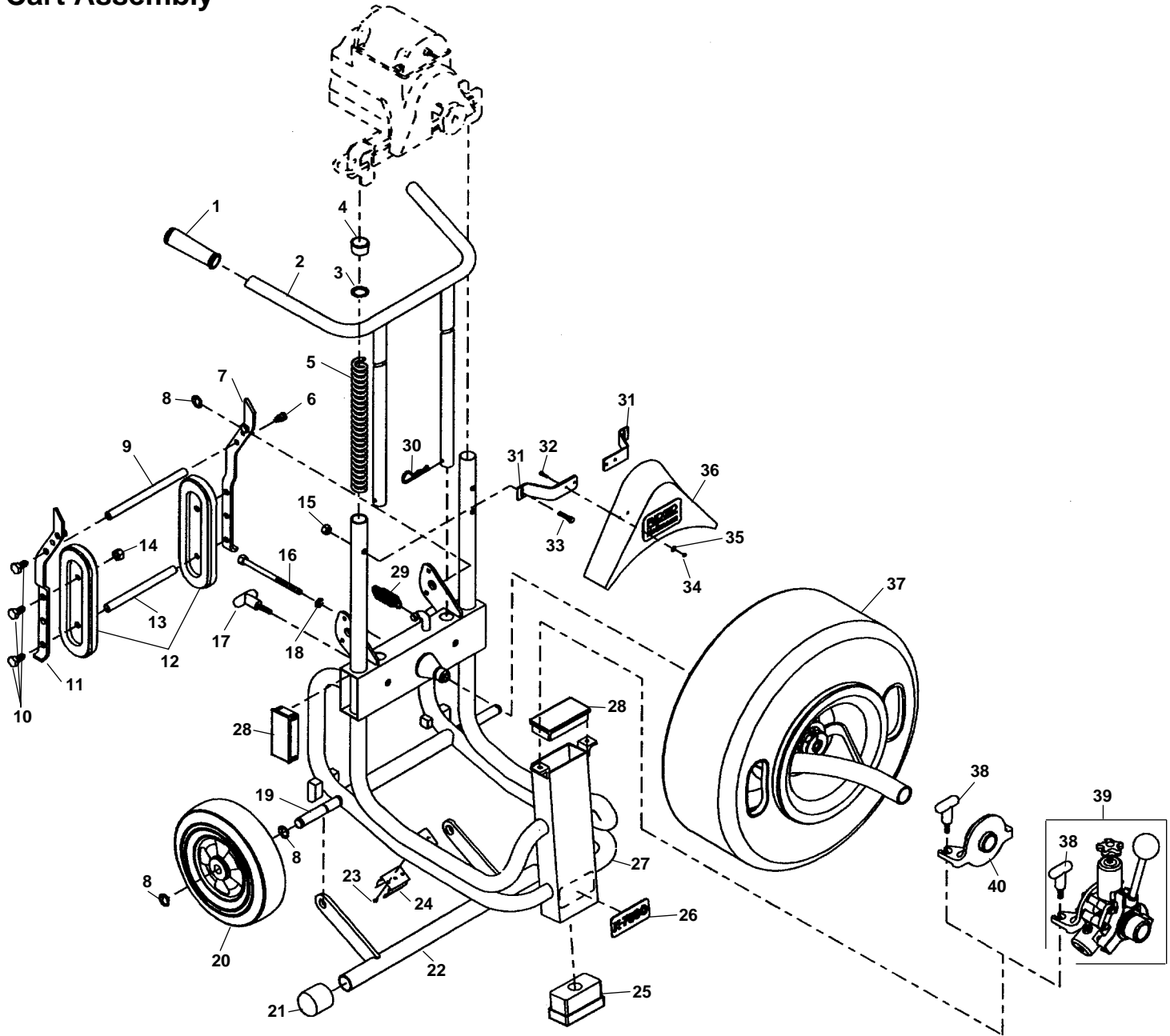
| Ref. No. | Catalog No. | Description     |
|----------|-------------|-----------------|
| —        | 95702       | Clutch Assembly |
| 1        | 95987       | Hub             |
| 2        | 95992       | Sleeve Bearing  |
| 3        | 95997       | Pressure Plate  |
| 4        | 96002       | Friction Disc   |
| 5        | 96007       | Drive Plate     |
| 6        | 96012       | Bearing Plate   |
| 7        | 96017       | Spring Disc     |
| 8        | 96022       | Lock Washer     |
| 9        | 96027       | Nut             |

**Clutch Tightening Specification**

1. Hand tighten clutch nut.
2. Tighten nut 140 degrees past hand tight.



**Cart Assembly**



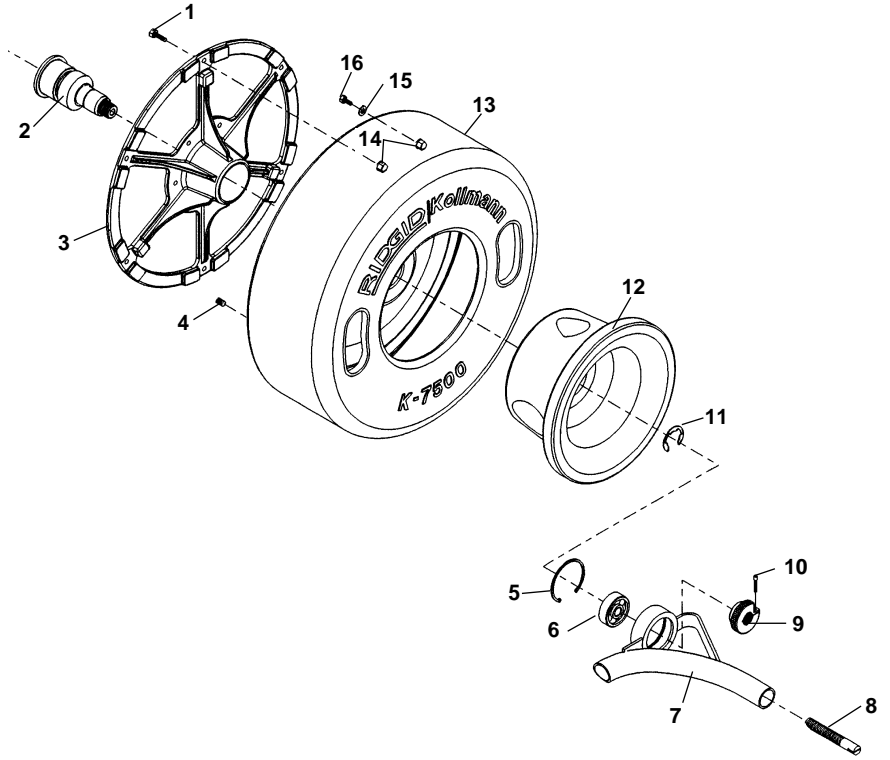
**NOTE: Order parts by Catalog Number only.  
DO NOT order by Reference Number.**

| Ref. No. | Catalog No. | Description                     | Ref. No. | Catalog No. | Description                | Ref. No. | Catalog No. | Description                  |
|----------|-------------|---------------------------------|----------|-------------|----------------------------|----------|-------------|------------------------------|
| 1        | 60827       | Hand Grips (2)                  | 15       | 69010       | Nut 1/4" - 20 (2)          | 29       | 60667       | Spring                       |
| 2        | 60587       | Handle                          | 16       | 60617       | Bolt 1/2" - 13 x 6"        | 30       | 60677       | Cotter Hairpin (2)           |
| 3        | 61472       | Washer                          | 17       | 60622       | Mounting Knob (2)          | 31       | 43967       | Guard Bracket (2)            |
| 4        | 60422       | Cap Plug (2)                    | 18       | 43942       | Lock Washer 1/2"           | 32       | 43962       | Screws #10 - 24 x 3/4" (8)   |
| 5        | 43957       | Compression Spring              | 19       | 60627       | Axle                       | 33       | 43972       | Carriage Bolt (2)            |
| 6        | 59510       | Plunger Pin                     | 20       | 23602       | Wheel (2)                  | 34       | 87970       | Hex Nut #10 - 24 (4)         |
| 7        | 60592       | Right Pivot Arm                 | 21       | 23607       | End Cap (2)                | 35       | 61310       | Lock Washer #10 (4)          |
| 8        | 60050       | Retaining Ring (8)              | 22       | 60632       | Stabilizer                 | 36       | 44027       | Belt Guard                   |
| 9        | 60597       | Tie-Spring Bar                  | 23       | 60637       | Self-Tap Screw #6 - 32 (2) | 37       | 61107       | Drum Assembly w/5/8" Pigtail |
| 10       | 60020       | Hex Bolt 1/2" - 13 x 1 1/4" (6) | 24       | 60642       | Spring Clip                |          | 60042       | Drum Assembly w/3/4" Pigtail |
| 11       | 60602       | Left Pivot Arm                  | 25       | 60647       | Rest Pad                   | 38       | 60672       | Assembly Knob (2)            |
| 12       | 60607       | Stairclimber (2)                | 26       | 60652       | Model Plate                | 39       | 60032       | Autofeed Assembly            |
| 13       | 60612       | Stairclimber Bar                | 27       | 60657       | Frame                      | 40       | 61227       | Manual Feed Assembly         |
| 14       | 78005       | Nut 1/2" - 13 (2)               | 28       | 60662       | Cap Plug                   |          |             |                              |

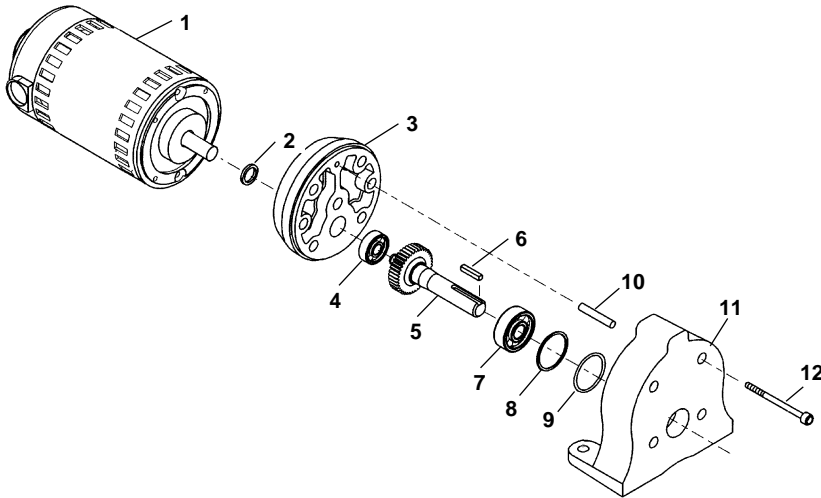
**Drum Assembly**

**NOTE: Order parts by Catalog Number only.  
DO NOT order by Reference Number.**

| Ref. No. | Catalog No. | Description                                    |
|----------|-------------|--|
| —        | 61107       | Drum Assembly. w <sup>5/8"</sup> Pigtail       |
| —        | 60042       | Drum Assembly w <sup>3/4"</sup> Pigtail        |
| 1        | 44590       | Bolt <sup>5/16"</sup> - 18 x 1" (9)            |
| 2        | 60537       | Drum Shaft                                     |
| 3        | 60547       | Drum Support                                   |
| 4        | 60552       | Drain Plug                                     |
| 5        | 60567       | Retaining Ring                                 |
| 6        | 50802       | Bearing  |
| 7        | 60557       | Guide Tube                                     |
| 8        | 44117       | <sup>3/4"</sup> Pigtail                        |
|          | 44122       | <sup>5/8"</sup> Pigtail                        |
| 9        | 60562       | Knurled Knob                                   |
| 10       | 40910       | Screw  |
| 11       | 64042       | Retaining Ring                                 |
| 12       | 60572       | Inner Drum                                     |
| 13       | 60577       | Outer Drum                                     |
| 14       | 27517       | Lock Nut <sup>5/16"</sup> - 18                 |
| 15       | 35055       | Washer   |
| 16       | 60515       | Bolt <sup>5/16"</sup> - 18 x 1 <sup>1/4"</sup> |

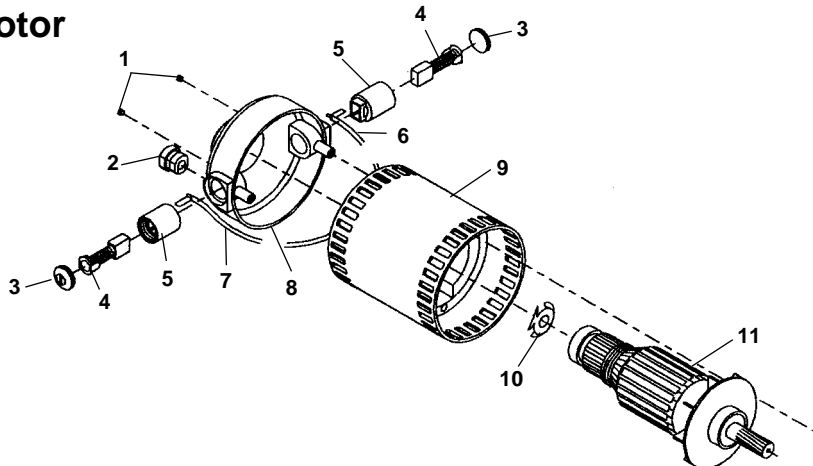


**Motor/Gearbox Assembly**



| Ref. No. | Catalog No. | Description                                    |
|----------|-------------|--|
| —        | 72587       | Motor/Gearbox Assembly - 115V                  |
| —        | 72582       | Motor/Gearbox Assembly - 230V                  |
| 1        | 75622       | Motor Only - 115V                              |
|          | 75627       | Motor - 230V                                   |
| 2        | 60442       | Seal   |
| 3        | 60437       | Rear Gear Housing                              |
| 4        | 44760       | Bearing  |
| 5        | 60432       | Main Drive Shaft w/Key                         |
| 6        | 60457       | Key  |
| 7        | 44565       | Bearing  |
| 8        | 60427       | Wave Spring                                    |
| 9        | 61837       | O-Ring   |
| 10       | 60452       | Dowel Pin <sup>3/16"</sup> x 1 <sup>5/8"</sup> |
| 11       | 60397       | Front Gear Housing                             |
| 12       | 60402       | Screw #10-32 x 2 <sup>3/4"</sup>               |

**Motor**

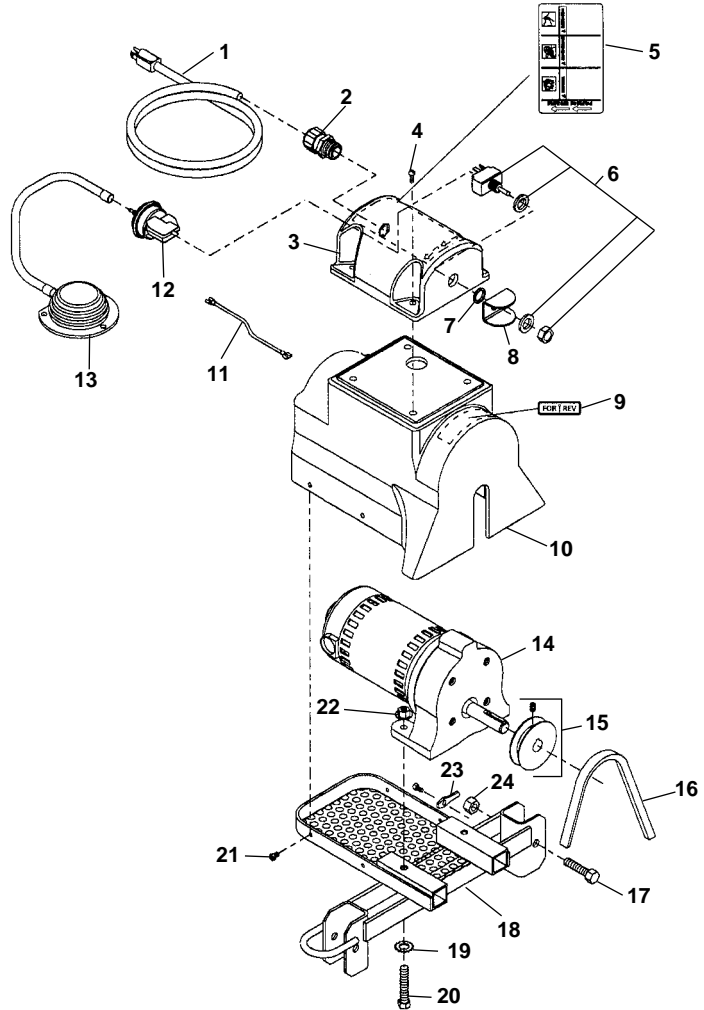


| Ref. No. | Catalog No. | Description               |
|----------|-------------|---------------------------|
| —        | 75622       | Motor - 115V              |
|          | 75627       | Motor - 230V              |
| 1        | 60492       | Brush Holder Screw        |
| 2        | 60497       | Strain Relief             |
| 3        | 60467       | Brush Cap Set             |
| 4        | 72482       | Brush Set (115V)          |
|          | 60472       | Brush Set (230V)          |
| 5        | 60482       | Brush Holder Set          |
| 6        | 60487       | Black Brush Lead          |
| 7        | 60502       | Red Brush Lead            |
| 8        | 60522       | Rear Housing              |
| 9        | 60507       | Field w/Housing (115V)    |
|          | 72487       | Field w/Housing (230V)    |
| 10       | 60512       | Loading Spring            |
| 11       | 60517       | Armature w/Bearing (115V) |
|          | 72492       | Armature w/Bearing (230V) |

**Motor Table**

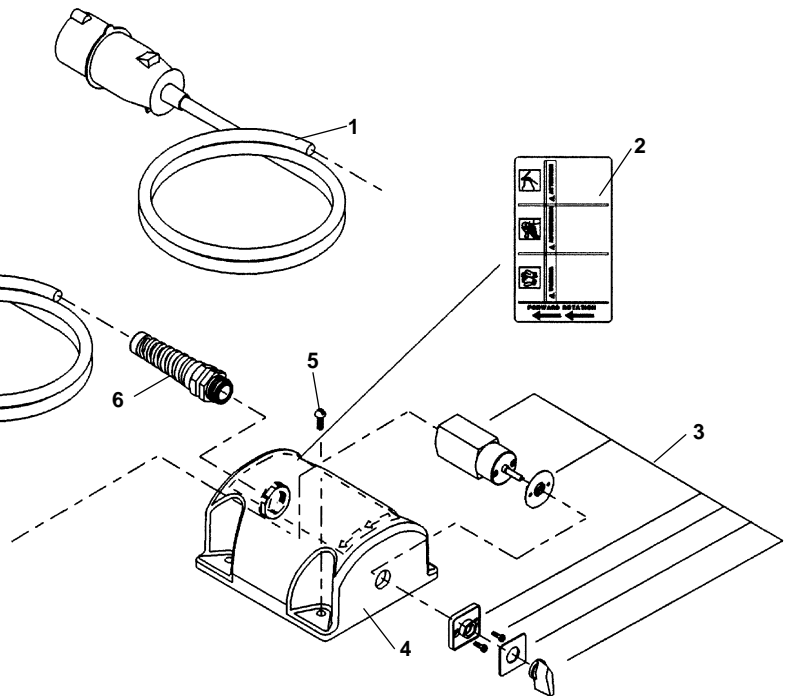
**NOTE: Order parts by Catalog Number only.  
DO NOT order by Reference Number.**

| Ref. No. | Catalog No. | Description                 |
|----------|-------------|-----------------------------|
| 1        | 50507       | Line Cord w/GFI             |
| 2        | 96265       | Strain Relief               |
| 3        | 60387       | Switch Cover                |
| 4        | 43962       | Screw #10 - 24 x 3/4" (8)   |
| 5        | 60767       | Safety Sticker              |
| 6        | 56252       | Switch                      |
| 7        | 23512       | Rubber Washer               |
| 8        | 61490       | Switch Guard                |
| 9        | 23687       | FOR/REV Label               |
| 10       | 60392       | Motor Cover                 |
| 11       | 61477       | Connecting Wire             |
| 12       | 32992       | Air Switch                  |
| 13       | 60462       | Foot Switch Assembly        |
| 14       | 72587       | 115V Motor/Gearbox Assembly |
| 14       | 72582       | 230V Motor/Gearbox Assembly |
| 15       | 60407       | Pulley                      |
| 16       | 60412       | V-Belt                      |
| 17       | 43992       | Screw 3/8" - 16 x 2"        |
| 18       | 60417       | Motor Table                 |
| 19       | 61445       | Lock Washer 5/16"           |
| 20       | 43757       | Screw 5/16" - 18 x 2 (2)    |
| 21       | 36787       | Screw #10 - 24 (5)          |
| 22       | 27517       | Lock Nut 5/16" - 18 (18)    |
| 23       | 62857       | Bonding Braid               |
| 24       | 79985       | Lock Nut 3/8"               |



**Electrical Components Europe Only**

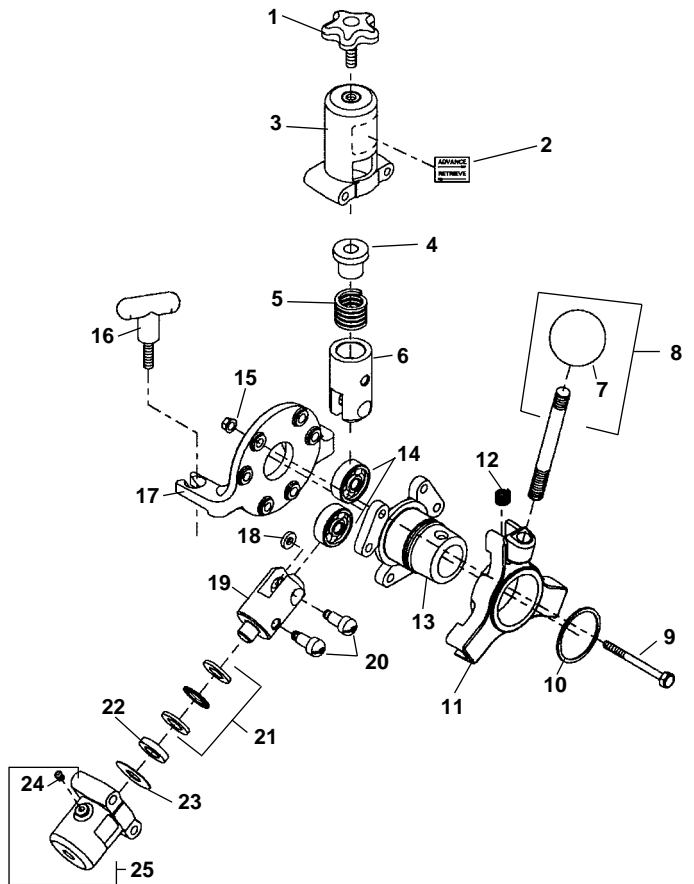
| Ref. No. | Catalog No. | Description                    |
|----------|-------------|--------------------------------|
| 1        | 45022       | Line Cord 110V Europe          |
| 2        | 62837       | Warning Label Europe           |
| 3        | 54157       | Switch Rotary                  |
| 4        | 62832       | Switch Cap - Rotary            |
| 5        | 43962       | Round Hd. Scr. #10 - 24 x 1/2" |
| 6        | 54177       | Strain Relief                  |
| 7        | 39562       | 230V Line Cord                 |



### Autofeed Assembly

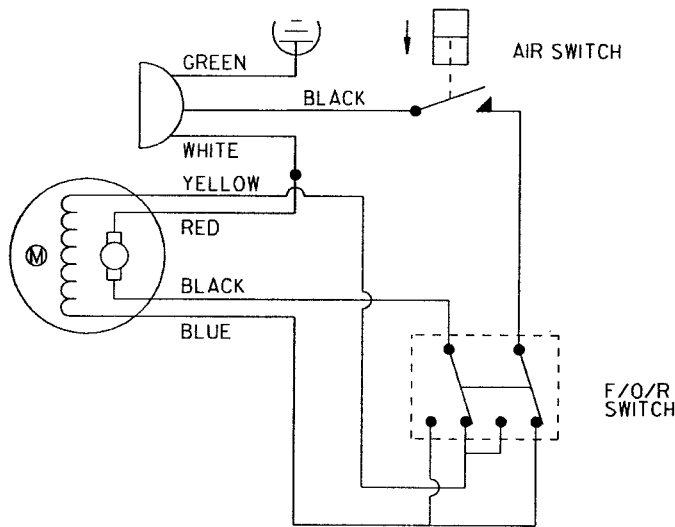
NOTE: Order parts by Catalog Number only.  
DO NOT order by Reference Number.

| Ref. No. | Catalog No. | Description                        |
|----------|-------------|------------------------------------|
| —        | 60032       | Autofeed Assembly                  |
| 1        | 60682       | Feed Knob                          |
| 2        | 60762       | Advance/Retrieve Label             |
| 3        | 60692       | Top Roller Housing                 |
| 4        | 93475       | Ball Holder                        |
| 5        | 93375       | Spring                             |
| 6        | 60707       | Movable Roller Holder              |
| 7        | 59585       | Knob                               |
| 8        | 93630       | Clutch Handle Assy. w/Knob         |
| 9        | 60737       | Bolt 5/16" - 18 x 3", Hex Head (6) |
| 10       | 44112       | Retaining Ring                     |
| 11       | 60742       | Actuator                           |
| 12       | 60697       | Return Spring                      |
| 13       | 60747       | Front Support Plate                |
| 14       | 60752       | Roller Bearing (3)                 |
| 15       | 27517       | Lock Nut 5/16" - 18 (6)            |
| 16       | 60672       | Handle (2)                         |
| 17       | 60712       | Back Support Plate                 |
| 18       | 60717       | Bearing Spacer (3)                 |
| 19       | 60722       | Stationary Roller Housing (2)      |
| 20       | 60732       | Actuator Pin (6)                   |
| 21       | 68367       | Thrust Bearing Assembly (2)        |
| 22       | 68372       | Spacer 0.235" (2)                  |
| 23†      | 68377       | Spacer 0.06" (2)                   |
| 24       | 89810       | Grease Fitting (4)                 |
| 25†      | 60727       | Stationary Roller Housing (2)      |

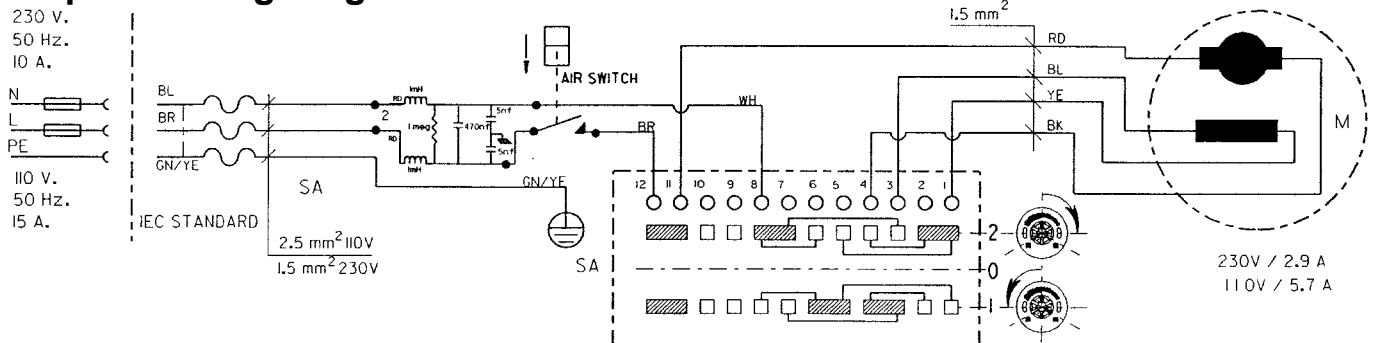


† Service Note: Add the 0.06" spacers (Ref. No. 24) to the stationary roller holders (Ref. No. 25) to use the autofeed on 5/8" cable.

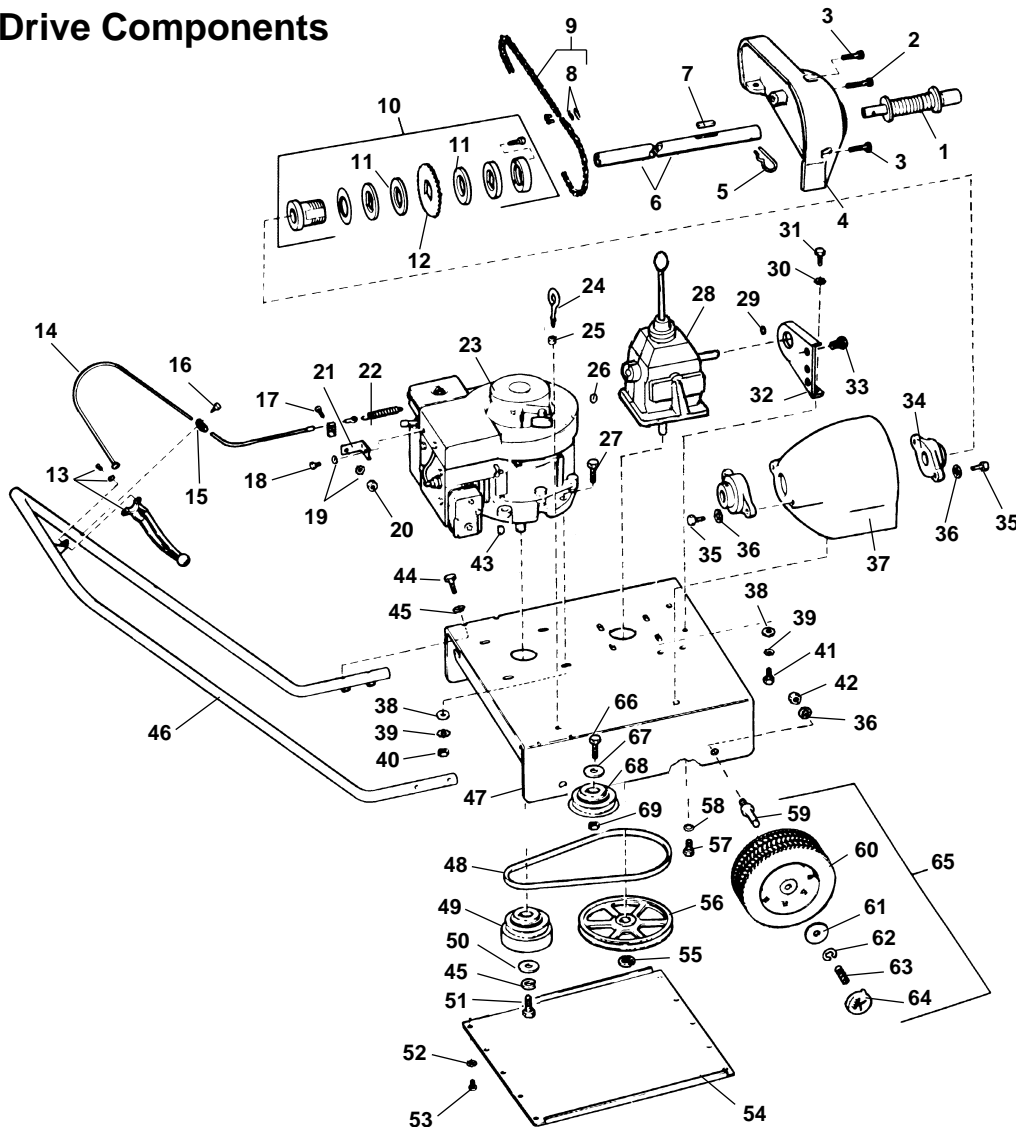
### Wiring Diagram



### European Wiring Diagram



**Cart and Drive Components**



**NOTE: Order parts by Catalog Number only.  
DO NOT order by Reference Number.**

| Ref. No. | Catalog No. | Description                  | Ref. No. | Catalog No. | Description                                  | Ref. No. | Catalog No. | Description                                  |
|----------|-------------|------------------------------|----------|-------------|--|----------|-------------|--|
| 1        | 62170       | B-3542 Rod Holder            | 26       | 63190       | A-3565 Key                                   | 48       | 66972       | "V" Belt                                     |
| 2        | 59915       | A-2192 Screw                 | 27       | 60515       | A-2531 Hex Head Bolt (4)                     | 49       | 61380       | A-3563 Centrifugal Clutch                    |
| 3        | 59920       | A-2193 Screw (2)             | 28       | 57697       | Transmission                                 | 50       | 61275       | A-3339 Washer                                |
| 4        | 62490       | D-3544 Guard                 |          | 61467       | Transmission Kit<br>(Incl. Ref. #32, 41, 48) | 51       | 61435       | A-3577 Hex Head Bolt                         |
| 5        | 61400       | A-3567 Drive Pin             | 29       | 60860       | A-297 Retaining Ring                         | 52       | 61310       | A-3439 Washer (10)                           |
| 6        | 62180       | B-3548 Drive Shaft           | 30       | 61440       | A-3591 Lock Washer                           | 53       | 60000       | A-2258 Screw (10)                            |
| 7        | 61425       | A-3572 Key                   | 31       | 60265       | A-2441 Screw                                 | 54       | 62175       | B-3547 Cover                                 |
| 8        | 60625       | A-2643 Master Link           | 32       | 62425       | Chain Guard                                  | 55       | 62647       | A-505 Retaining Ring                         |
| 9        | 61405       | A-3568 Chain (Incl. Ref. #8) | 33       | 61110       | A-3247 Self-Tapping Screw (2)                | 56       | 61385       | A-3564 Pulley                                |
| 10       | 61415       | A-3570 Torque Limiter        | 34       | 61375       | A-3562 Main Bearing w/Set<br>Screw (2)       | 57       | 59785       | A-210 Bolt (4)                               |
| 11       | 61420       | A-3571 Fiber Disc (2)        | 35       | 60020       | A-2269 Bolt (4)                              | 58       | 61450       | A-3593 Lock Washer (4)                       |
| 12       | 61410       | A-3569 Sprocket              | 36       | 60090       | A-2292 Lock Washer (8)                       | 59       | 43837       | A-3546 Axle (4)                              |
| 13       | 61365       | A-3560 Throttle Handle       | 37       | 62485       | D-3543 Body                                  | 60       | 62420       | C-3556 Wheel (4)                             |
| 14       | 61370       | A-3561 Throttle Cable        | 38       | 60060       | A-2284 Washer (8)                            | 61       | 60995       | A-3039 Washer (4)                            |
| 15       | 61430       | A-3574 Clamp                 | 39       | 61445       | A-3592 Lock Washer (8)                       | 62       | 60050       | A-2281 Retaining Ring (4)                    |
| 16       | 61500       | A-427 Self-Tapping Screw     | 40       | 60230       | A-2395 Nut (4)                               | 63       | 61000       | A-3041 Spring (4)                            |
| 17       | 79965       | E-1667 Screw                 | 41       | 61462       | A-3251 Hex Head Bolt (4)                     | 64       | 59700       | A-1881 Hub Cab (4)                           |
| 18       | —           | *Bolt                        | 42       | 61455       | A-3612 Nut (4)                               | 65       | 62430       | C-3611 Wheel Assembly<br>(Incl. Ref. #59-64) |
| 19       | 61310       | A-3439 Washer (2)            | 43       | 61395       | A-3566 Key                                   | —        | 84690       | A-4558 Torque Testing Tool<br>(not shown)    |
| 20       | 60200       | A-2382 Nut                   | 44       | 76870       | A-3672 Screw (4)                             | 66       | 23617       | 3/8" - 13 x 2" Carriage Bolt                 |
| 21       | 61350       | A-3554 Bracket               | 45       | 60085       | A-2290 Lock Washer (5)                       | 67       | 59970       | 3/8" Flat Washer                             |
| 22       | 59545       | A-132 Spring                 | 46       | 62415       | C-3552 Handle Assembly                       | 68       | 66962       | Idle Pulley                                  |
| 23       | 66977       | Engine/6HP                   | 47       | 62495       | D-3545 Base                                  | 69       | 43947       | 3/8" Lock Nut                                |
| 24       | 59225       | A-899 Coupling Pin Key       |          |             |  |          |             |  |
| 25       | 61460       | A-3613 Grommet               |          |             |  |          |             |  |

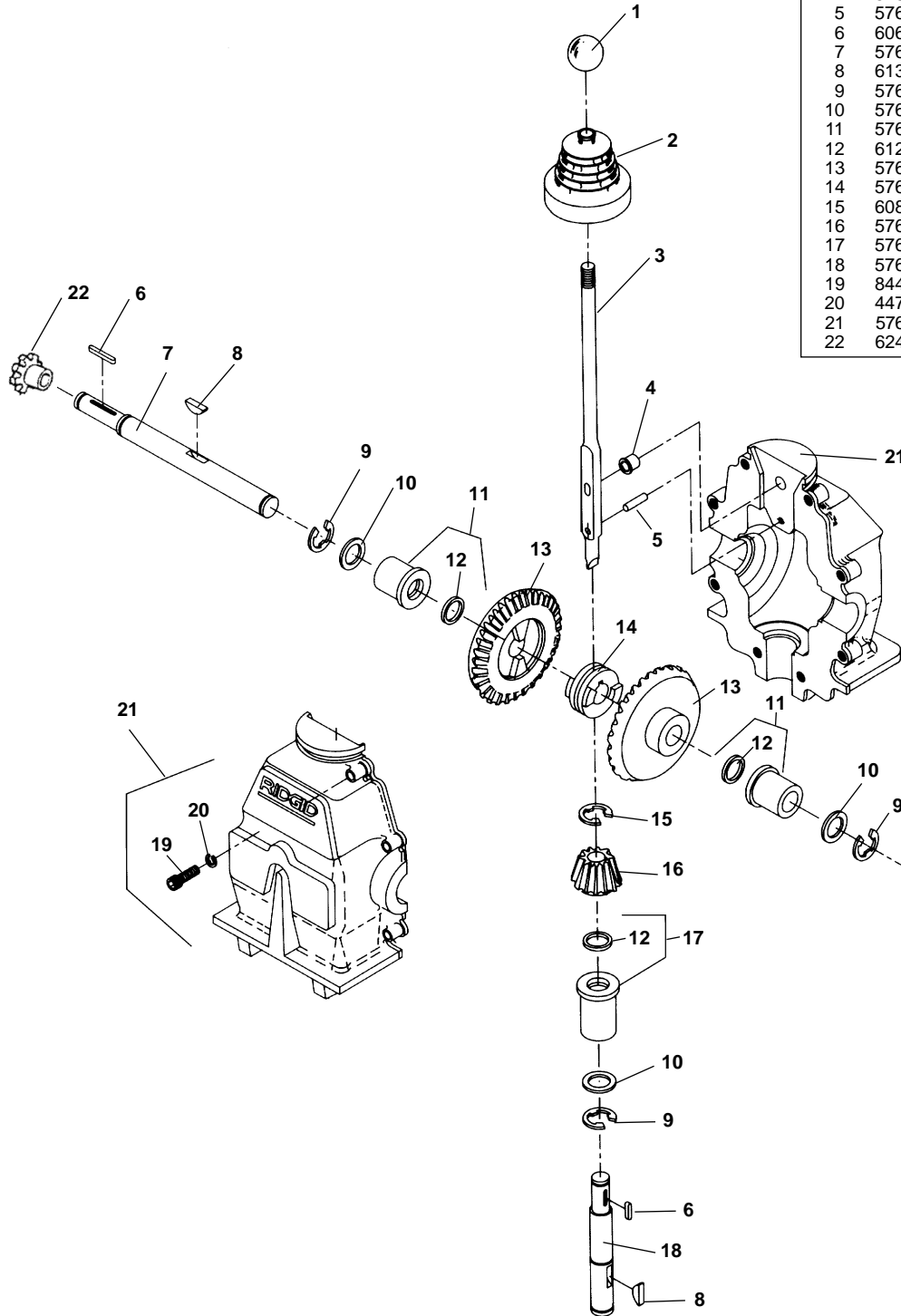
†Transmission kit includes necessary hardware to convert to new style transmission. \*Standard hardware item may be purchased locally.



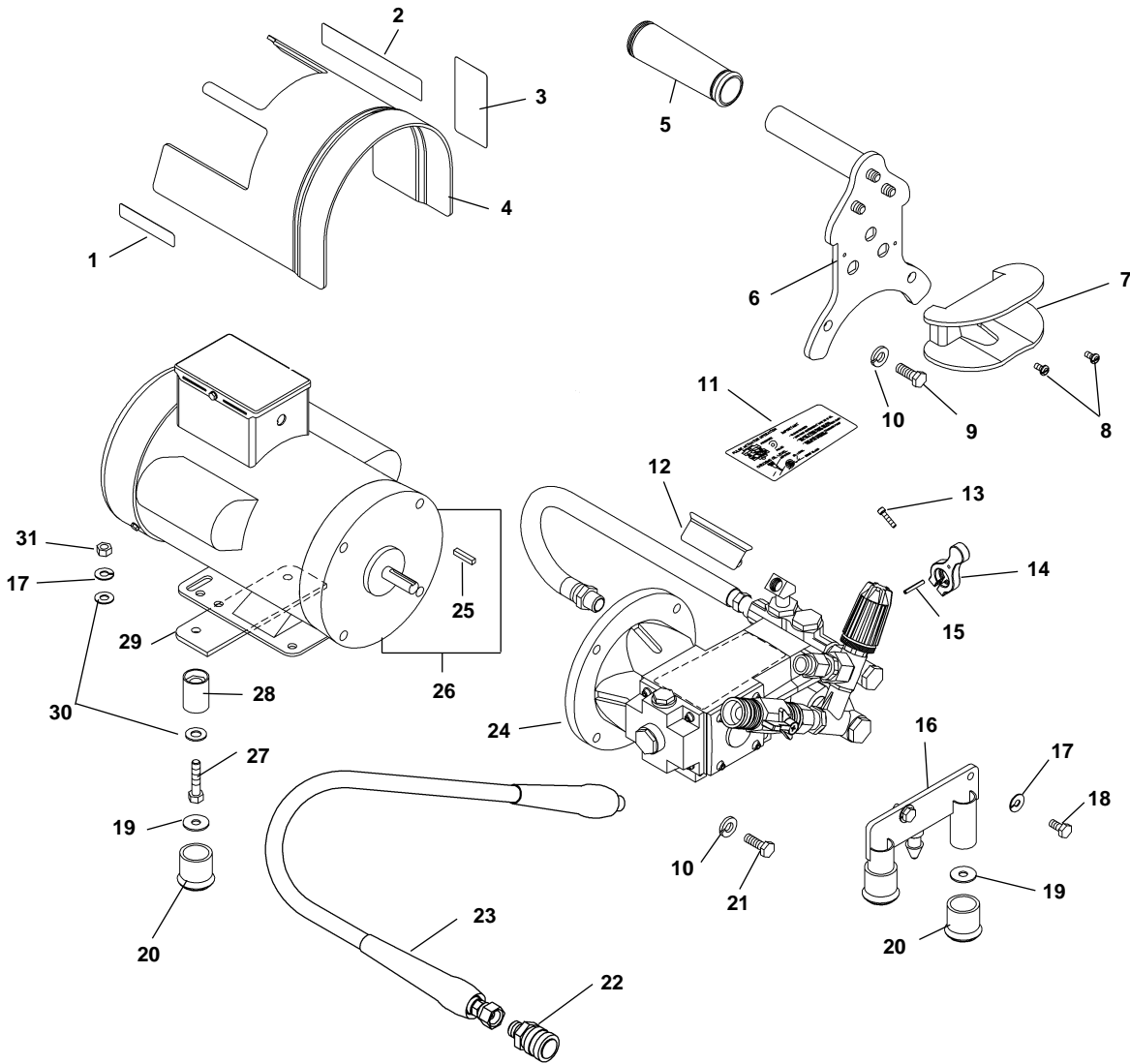
**Transmission**

**NOTE: Order parts by Catalog Number only.  
DO NOT order by Reference Number.**

| Ref. No. | Catalog No. | Description                          |
|----------|-------------|--------------------------------------|
| —        | 57692       | Transmission                         |
| 1        | 59585       | Knob                                 |
| 2        | 57617       | Shift Cover                          |
| 3        | 57682       | Shift Lever                          |
| 4        | 57667       | Plunger                              |
| 5        | 57672       | Pin                                  |
| 6        | 60680       | 504 Pin                              |
| 7        | 57632       | Output Shaft                         |
| 8        | 61390       | Key (2)                              |
| 9        | 57662       | Retaining Ring (3)                   |
| 10       | 57657       | Washer (3)                           |
| 11       | 57647       | Bushing w/O-Ring (2)                 |
| 12       | 61277       | O-Ring (3)                           |
| 13       | 57622       | Bevel Gear (2)                       |
| 14       | 57642       | Clutch Collar                        |
| 15       | 60860       | Retaining Ring                       |
| 16       | 57627       | Pinion Gear                          |
| 17       | 57652       | Bushing w/O-Ring                     |
| 18       | 57637       | Input Shaft                          |
| 19       | 84425       | 1/4" - 20 x 1.25" Soc. Hd. Screw (8) |
| 20       | 44740       | 1/4" Lock Washer (8)                 |
| 21       | 57612       | Housing Assembly (Includes 19, 20)   |
| 22       | 62427       | 8T Sprocket                          |



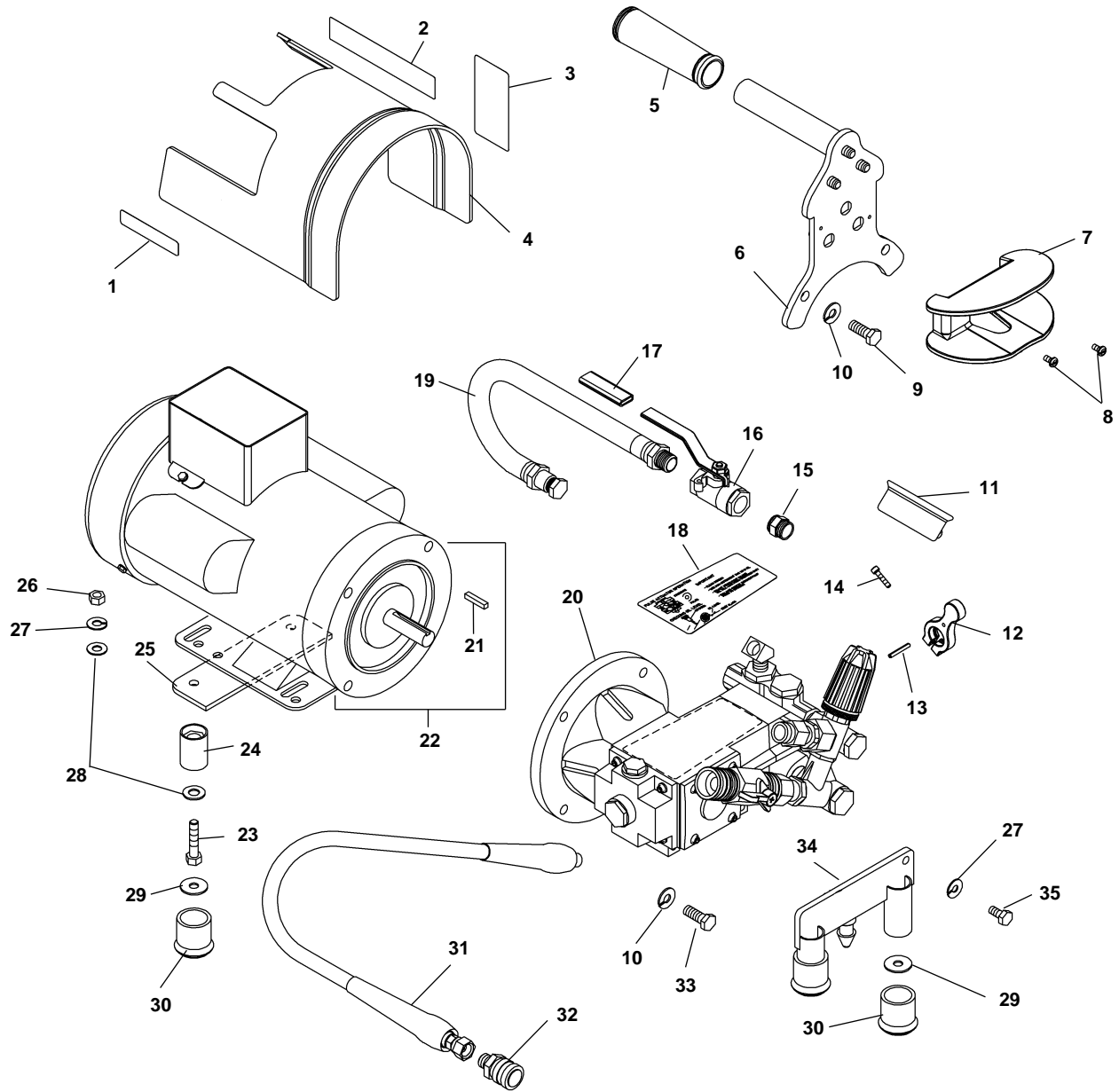
**Main Components - Single Pulse Model**



**NOTE: Order parts by Catalog Number only.  
DO NOT order by Reference Number.**

| Ref. No. | Catalog No. | Description  | Ref. No. | Catalog No. | Description   |
|----------|-------------|--|----------|-------------|---|
| 1        | 63972       | Decal, Potable Water                                   | 17       | 60080       | Lock Washer, $\frac{5}{16}$ " (2)                       |
| 2        | 63962       | Decal, Model Number                                    | 18       | 61130       | Hex Screw, $\frac{5}{16}$ " - 18 x $\frac{3}{4}$ " (2)  |
| 3        | 48232       | Decal, Warning   | 19       | 60847       | Flat Washer, $\frac{1}{2}$ " (4)                        |
| 4        | 63917       | Motor Shroud   | 20       | 37962       | Rubber Foot (4)   |
| 5        | 60827       | Hand Grip  | 21       | 85915       | Hex Screw, $\frac{3}{8}$ " - 16 x $\frac{3}{4}$ " (2)   |
| 6        | 63932       | Handle   | 22       | 48117       | Female Quick Connect, $\frac{1}{4}$ " NPT Male          |
| 7        | 63937       | Cord Wrap  | 23       | 63927       | Output Hose   |
| 8        | 16417       | Screw, #10 - 32 x $\frac{3}{8}$ " Pan Head (2)         | 24       | 63897       | Pump Assembly Complete                                  |
| 9        | 60380       | Hex Screw, $\frac{3}{8}$ " - 16 x $1\frac{1}{4}$ " (2) | 25       | 47677       | Key, $\frac{1}{8}$ " x $\frac{3}{16}$ " x 1"            |
| 10       | 60085       | Lock Washer, $\frac{3}{8}$ " (4)                       | 26       | 63892       | Motor, 115V, 1.5 HP                                     |
| 11       | 63967       | Decal, Pulse Instruction                               | 27       | 43847       | Hex Screw, $\frac{5}{16}$ " - 18 x $1\frac{1}{2}$ " (2) |
| 12       | 63902       | Pressure Gauge   | 28       | 63947       | Rear Foot   |
| 13       | 46375       | Socket Head Screw, #6 - 32 x $\frac{5}{8}$ "           | 29       | 63952       | Rear Bracket  |
| 14       | 63907       | Actuator Handle  | 30       | 60060       | Flat Washer, $\frac{5}{16}$ " (2)                       |
| 15       | 41500       | Spring Pin   | 31       | 60230       | Hex Nut, $\frac{5}{16}$ " - 18 (2)                      |
| 16       | 63942       | Front Foot   |          |             |   |

**Main Components - Dual Pulse Model**



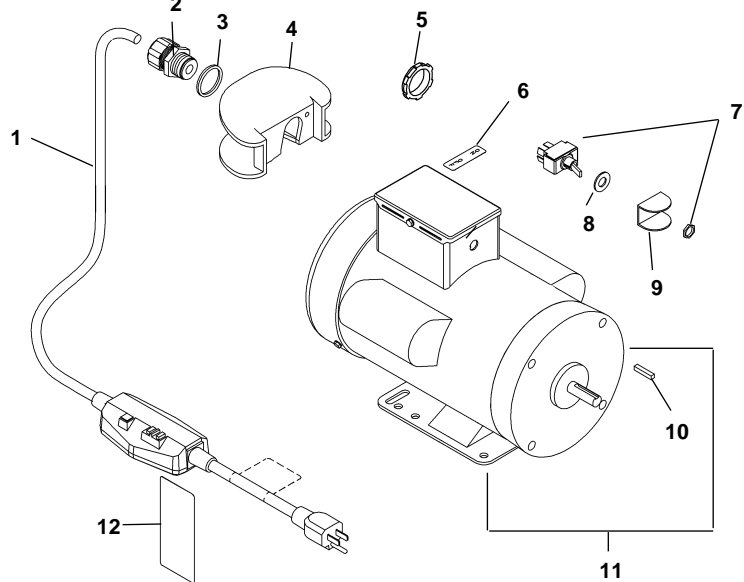
**NOTE: Order parts by Catalog Number only.  
DO NOT order by Reference Number.**

| Ref. No. | Catalog No. | Description                         | Ref. No. | Catalog No. | Description                         |
|----------|-------------|-------------------------------------|----------|-------------|-------------------------------------|
| 1        | 63972       | Decal, Potable Water                | 19       | 48132       | Dampener Hose, 18"                  |
| 2        | 63962       | Decal, Model Number                 | 20       | 63897       | Pump Assembly Complete              |
| 3        | 48232       | Decal, Warning                      | 21       | 47677       | Key, 1/8" x 3/16" x 1"              |
| 4        | 63917       | Motor Shroud                        | 22       | 63892       | Motor, 115V, 1.5 HP                 |
| 5        | 60827       | Hand Grip                           | 23       | 43847       | Hex Screw, 5/16" - 18 x 1 1/2" (2)  |
| 6        | 63932       | Handle                              | 24       | 63947       | Rear Foot                           |
| 7        | 63937       | Cord Wrap                           | 25       | 63952       | Rear Bracket                        |
| 8        | 16417       | Screw, #10 - 32 x 3/8" Pan Head (2) | 26       | 60230       | Hex Nut, 5/16" - 18 (2)             |
| 9        | 60380       | Hex Screw, 3/8" - 16 x 1 1/4" (2)   | 27       | 60080       | Lock Washer, 5/16" (2)              |
| 10       | 60085       | Lock Washer, 3/8" (4)               | 28       | 60060       | Flat Washer, 5/16" (2)              |
| 11       | 63902       | Pressure Gauge                      | 29       | 60847       | Flat Washer, 1/2" (4)               |
| 12       | 63907       | Actuator Handle                     | 30       | 37962       | Rubber Foot (4)                     |
| 13       | 41500       | Spring Pin                          | 31       | 63927       | Output Hose                         |
| 14       | 46375       | Socket Head Screw, #6 - 32 x 5/8"   | 32       | 48117       | Female Quick Connect, 1/4" NPT Male |
| 15       | 63912       | Hex Nipple, 3/8" NPT                | 33       | 85915       | Hex Screw, 3/8" - 16 x 3/4" (2)     |
| 16       | 48127       | Pulse Control Valve                 | 34       | 63942       | Front Foot                          |
| 17       | 64272       | Pulse Valve Cover                   | 35       | 61130       | Hex Screw, 5/16" - 18 x 3/4" (2)    |
| 18       | 63967       | Decal, Pulse Instruction            |          |             |                                     |

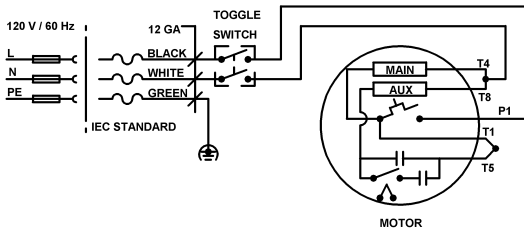
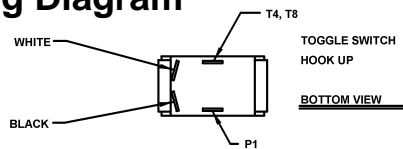
**Electrical Components**

**NOTE: Order parts by Catalog Number Only.  
DO NOT order by Reference Number.**

| Ref. No. | Catalog No. | Description               |
|----------|-------------|---------------------------|
| 1        | 63922       | Power Cord with GFCI      |
| 2        | 36732       | Strain Relief             |
| 3        | 64037       | Flat Washer               |
| 4        | 63937       | Cord Wrap                 |
| 5        | 48052       | Strain Relief Nut         |
| 6        | 48087       | Decal, ON/OFF             |
| 7        | 48057       | Toggle Switch w/Fasteners |
| 8        | 23512       | Rubber Washer             |
| 9        | 61490       | Switch Guard              |
| 10       | 47677       | Key, 1/8" x 3/16" x 1"    |
| 11       | 63892       | Motor, 115V, 1.5 HP       |
| 12       | 63977       | Warning Tag, GFCI         |

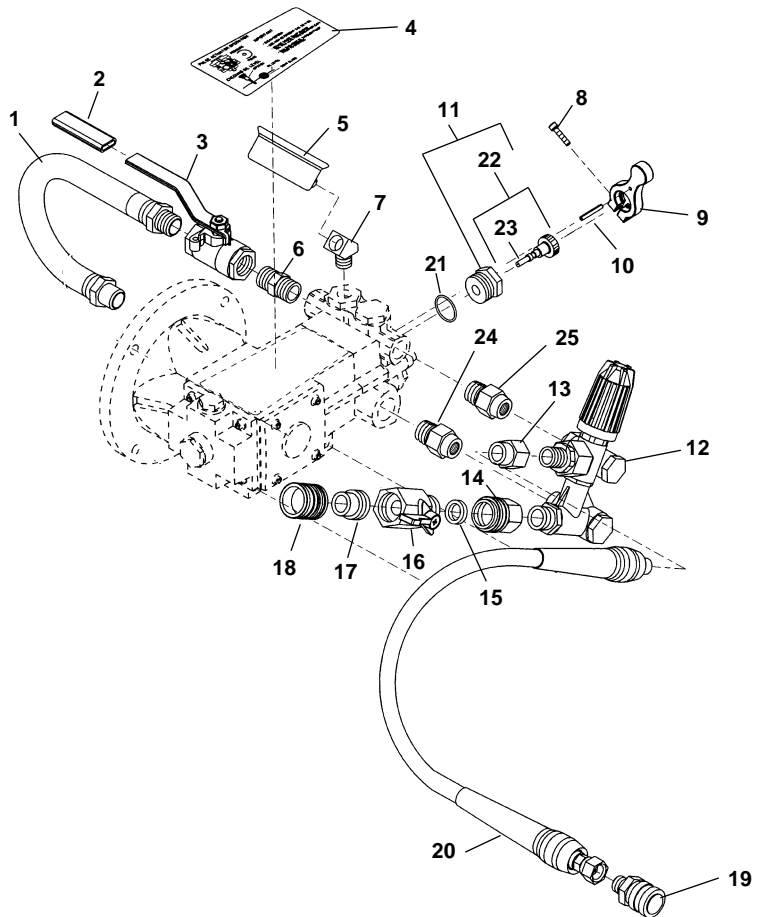


**Wiring Diagram**

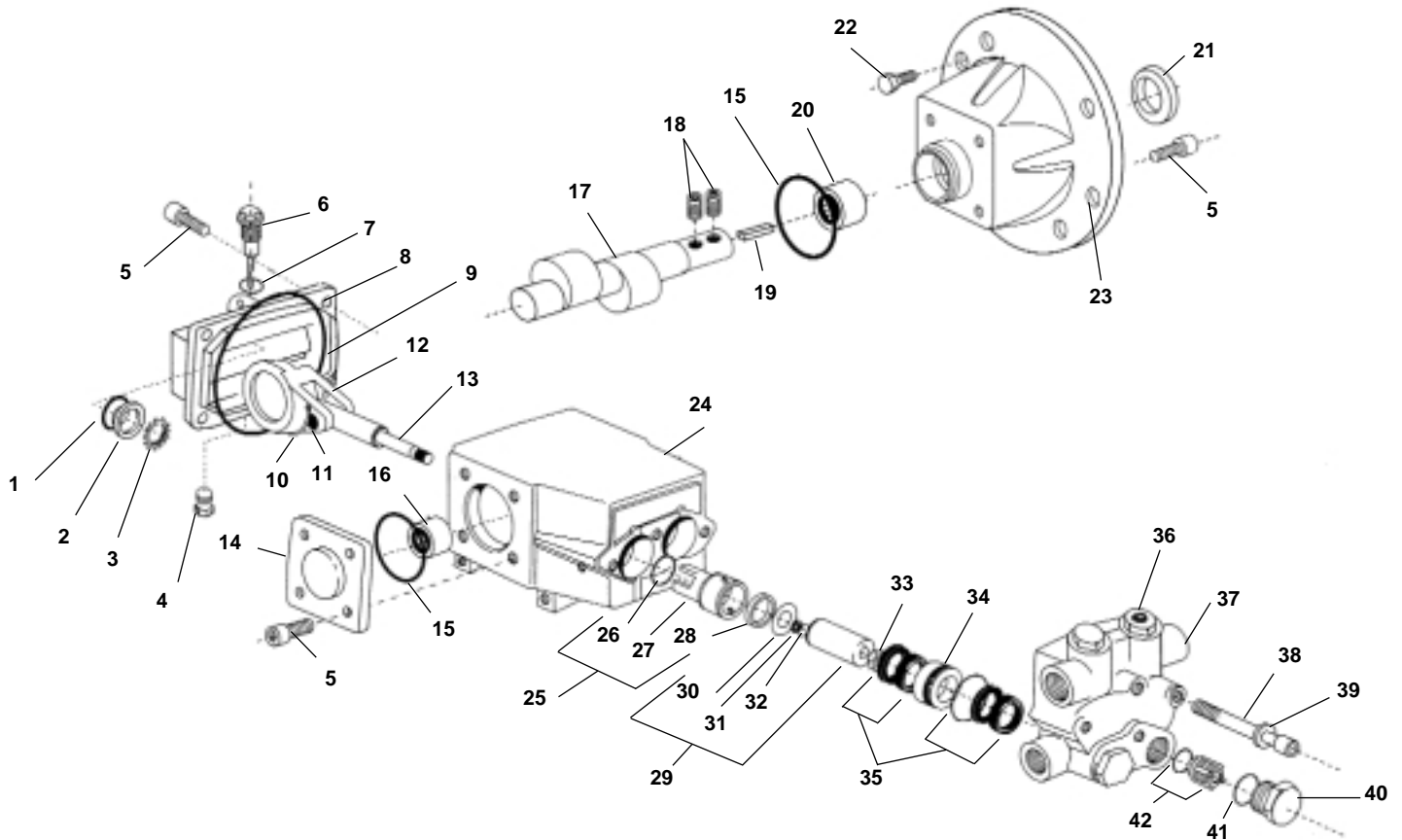


**Flow Control System**

| Ref. No. | Catalog No. | Description                         |
|----------|-------------|-------------------------------------|
| 1        | 48132       | Dampener Hose, 18"                  |
| 2        | 64272       | Pulse Valve Cover                   |
| 3        | 48127       | Pulse Control Valve                 |
| 4        | 63967       | Decal, Pulse Instruction            |
| 5        | 63902       | Pressure Gauge                      |
| 6        | 63912       | Hex Nipple, 3/8" NPT                |
| 7        | 48107       | Street El, 45 Degree                |
| 8        | 46375       | Soc Hd Screw, #6 - 32 x 5/8"        |
| 9        | 63907       | Actuator Handle                     |
| 10       | 41500       | Spring Pin                          |
| 11       | 65192       | Pulse Assembly                      |
| 12       | 65202       | Unloader Valve Assembly             |
| 13       | 65197       | Reducer Coupling                    |
| 14       | 65207       | Hose Adapter                        |
| 15       | 48287       | Filter Washer                       |
| 16       | 49582       | Water Shut Off                      |
| 17       | 48202       | Hose Coupler Nipple                 |
| 18       | 48197       | Hose Coupler                        |
| 19       | 48117       | Female Quick Connect, 1/4" NPT Male |
| 20       | 63927       | Output Hose                         |
| 21       | 65392       | O-Ring                              |
| 22       | 85872       | Adjusting Screw w/Seals             |
| 23       | 85882       | Seals for Adjusting Screw           |
| 24       | 70427       | Inlet Adapter, 1/2" x 1/2"          |
| 25       | 70432       | Outlet Adapter, 3/8" x 3/8"         |
|          | 65102       | Wash Wand Nozzle (Not Shown)        |
|          | 70897       | Chemical Injector (Not Shown)       |



**Pump Assembly - Type 2**



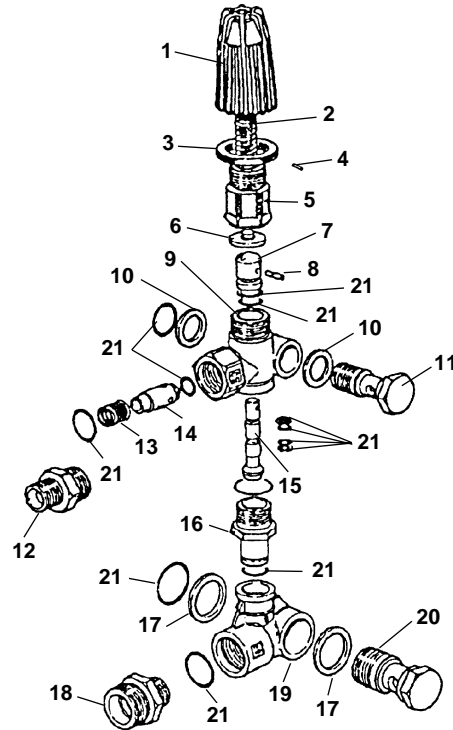
**NOTE: Order parts by Catalog Number Only.  
DO NOT order by Reference Number.**

| Ref. No. | Catalog No. | Description                               | Ref. No. | Catalog No. | Description                     | Ref. No. | Catalog No. | Description                 |
|----------|-------------|---|----------|-------------|---------------------------------|----------|-------------|-----------------------------|
| 1        | 88852       | O-Ring                                    | 15       | 47707       | O-Ring (2)                      | 30       | 47762       | Slinger Ring (2)            |
| 2        | 88847       | Sight Glass                               | 16       | 88822       | Needle Bearing                  | 31       | 47712       | Backup Seal (2)             |
| 3        | 88857       | Retainer                                  | 17       | 88877       | Crankshaft                      | 32       | 47697       | O-Ring (2)                  |
| 4        | 47782       | Drain Plug, 1/4" NPT                      | 18       | 47752       | Set Screw, 1/4" - 28 x 1/4" (2) | 33       | 88867       | Retaining Nut (2)           |
| 5        | 40910       | Soc. Hd. Cap Screw, 1/4" - 20 x 3/4" (12) | 19       | 47677       | Key, 1/8" x 3/16" x 1"          | 34       | 88862       | Cup Retainer, (2)           |
| 6        | 47787       | Dip Stick                                 | 20       | 47727       | Needle Bearing                  | 35       | 88432       | Plunger Seal Kit            |
| 7        | 88452       | O-Ring                                    | 21       | 47732       | Seal                            | 36       | 89017       | Valve Cap, Ported, 1/4" NPT |
| 8        | 88842       | Crankcase Cover                           | 22       | 75350       | Hex Bolt, 3/8" -16 x 1 1/4" (4) | 37       | 88792       | Head                        |
| 9        | 88447       | O-Ring                                    | 23       | 47667       | C-Flange End Cover              | 38       | 47747       | Socket Head Cap Screw (4)   |
| 10       | 88837       | Spring Retainer (2)                       | 24       | 88812       | Crankcase                       | 39       | 88872       | Lock Washer (4)             |
| 11       | 88827       | Wrist Pin (2)                             | 25       | 88437       | Oil Seal Repair Kit             | 40       | 88412       | Valve Cap (2)               |
| 12       | 88832       | Connecting Rod (2)                        | 26       | 88442       | O-Ring (2)                      | 41       | 88417       | O-Ring (4)                  |
| 13       | 88807       | Plunger Rod (2)                           | 27       | 88797       | Insert (2)                      | 42       | 88422       | Valve Kit                   |
| 14       | 88817       | End Plate                                 | 28       | 88802       | Oil Seal (2)                    |          |             |                             |
|          |             |   | 29       | 88427       | Plunger Kit, (2)                |          |             |                             |

**Unloader Valve - Early Style (Red Knob)**

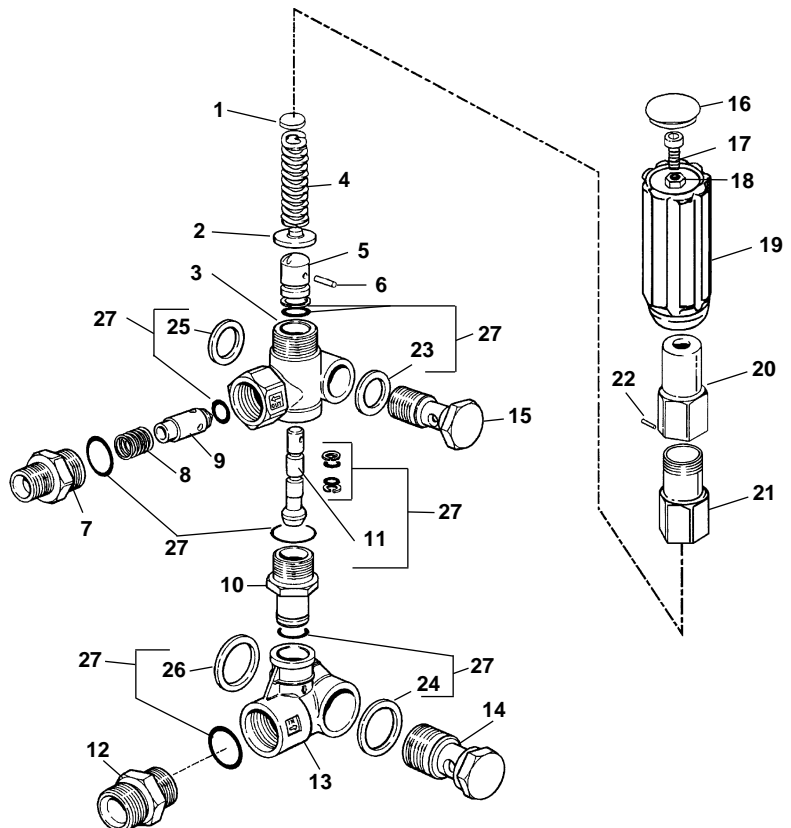
**NOTE: Order parts by Catalog Number Only.  
DO NOT order by Reference Number.**

| Ref. No. | Catalog No. | Description         |
|----------|-------------|---------------------|
| 1        | 64277       | Control Knob        |
| 2        | 64282       | Spring              |
| 3        | 64287       | Stop Ring           |
| 4        | 64292       | Set Screw           |
| 5        | 64297       | Spring Guide        |
| 6        | 64302       | Spring Button       |
| 7        | 64307       | Poppet              |
| 8        | 64312       | Pin                 |
| 9        | 64317       | Valve Body          |
| 10       | 64322       | Gasket (2)          |
| 11       | 64327       | Outlet Port Adapter |
| 12       | 64332       | Poppet Retainer     |
| 13       | 64337       | Spring              |
| 14       | 64342       | Poppet              |
| 15       | 64347       | Plunger             |
| 16       | 64352       | By-Pass Spring      |
| 17       | 64357       | Gasket              |
| 18       | 64362       | Inlet Adapter       |
| 19       | 64367       | By-Pass Adapter     |
| 20       | 64372       | Port Adapter        |
| 21       | 64377       | Seal Kit            |

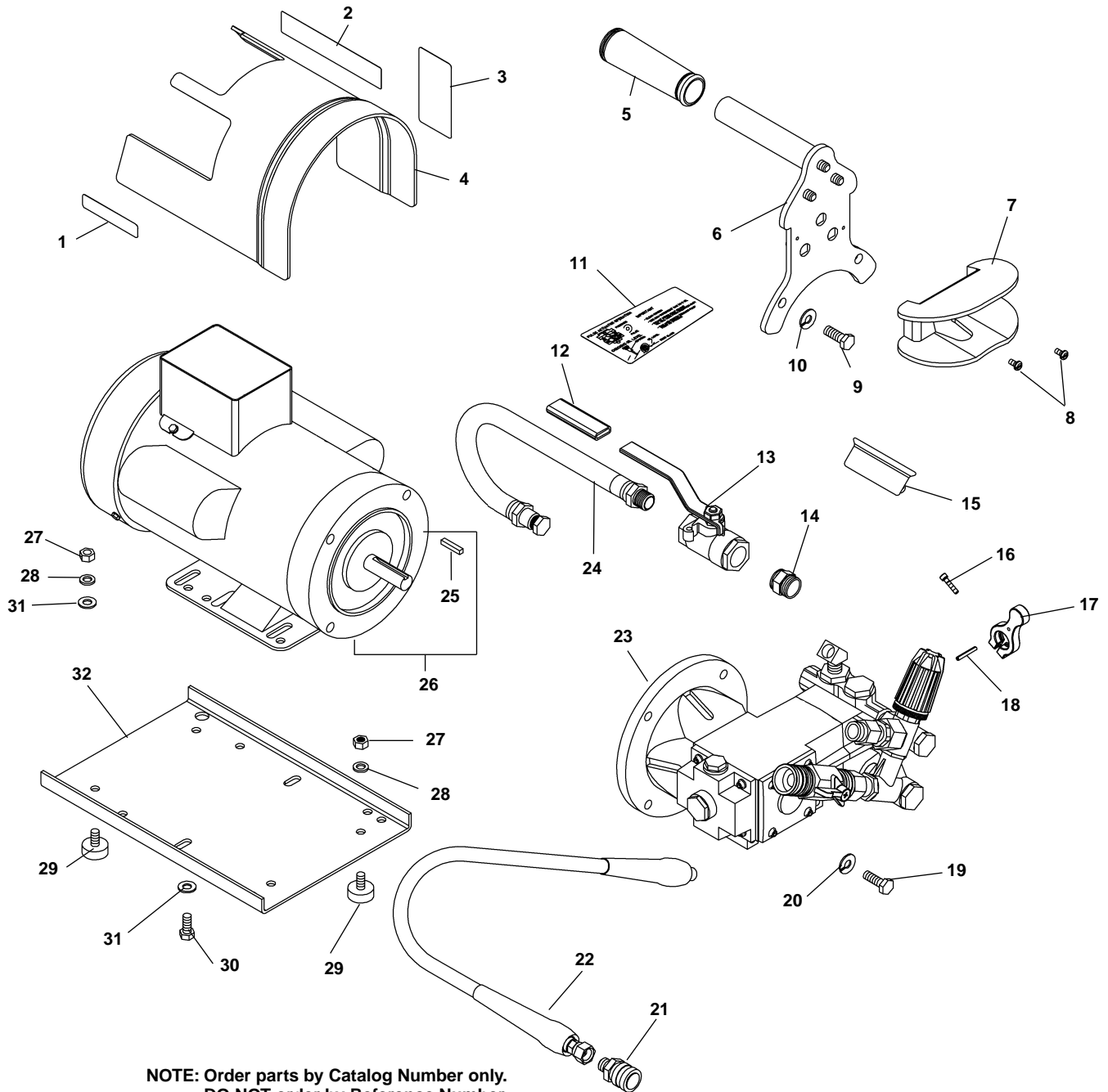


**Unloader Valve - (Black Knob)**

| Ref. No. | Catalog No. | Description   |
|----------|-------------|---|
| —        | 65202       | Unloader Valve Complete                                   |
| 1        | 85902       | Plate   |
| 2        | 64302       | Spring Button   |
| 3        | 64317       | Body  |
| 4        | 85897       | Spring  |
| 5        | 64307       | Poppet  |
| 6        | 64312       | Pin   |
| 7        | 64332       | Outlet Poppet Retainer                                    |
| 8        | 64337       | Spring  |
| 9        | 64342       | Poppet  |
| 10       | 64352       | By-Pass Seat  |
| 11       | 64347       | Plunger   |
| 12       | 64362       | Inlet Adapter   |
| 13       | 64367       | Manifold  |
| 14       | 64372       | Inlet Port Adapter  |
| 15       | 64327       | Outlet Port Adapter                                       |
| 16       | 85892       | Plug Cap  |
| 17       | 32270       | Soc. Hd. Cap Screw $\frac{5}{16}$ " - 18 $-\frac{3}{4}$ " |
| 18       | 61115       | Hex Nut $\frac{5}{16}$ " x 18                             |
| 19       | 85887       | Control Knob (Black)                                      |
| 20       | 85907       | Cap   |
| 21       | 85917       | Spring Guide  |
| 22       | 85912       | Pin   |
| 23       | 64322       | Seal Washer   |
| 24       | 64357       | Seal Washer   |
| 25       | 85922       | Seal Washer   |
| 26       | 85927       | Seal Washer   |
| 27       | 85932       | Seal Kit  |



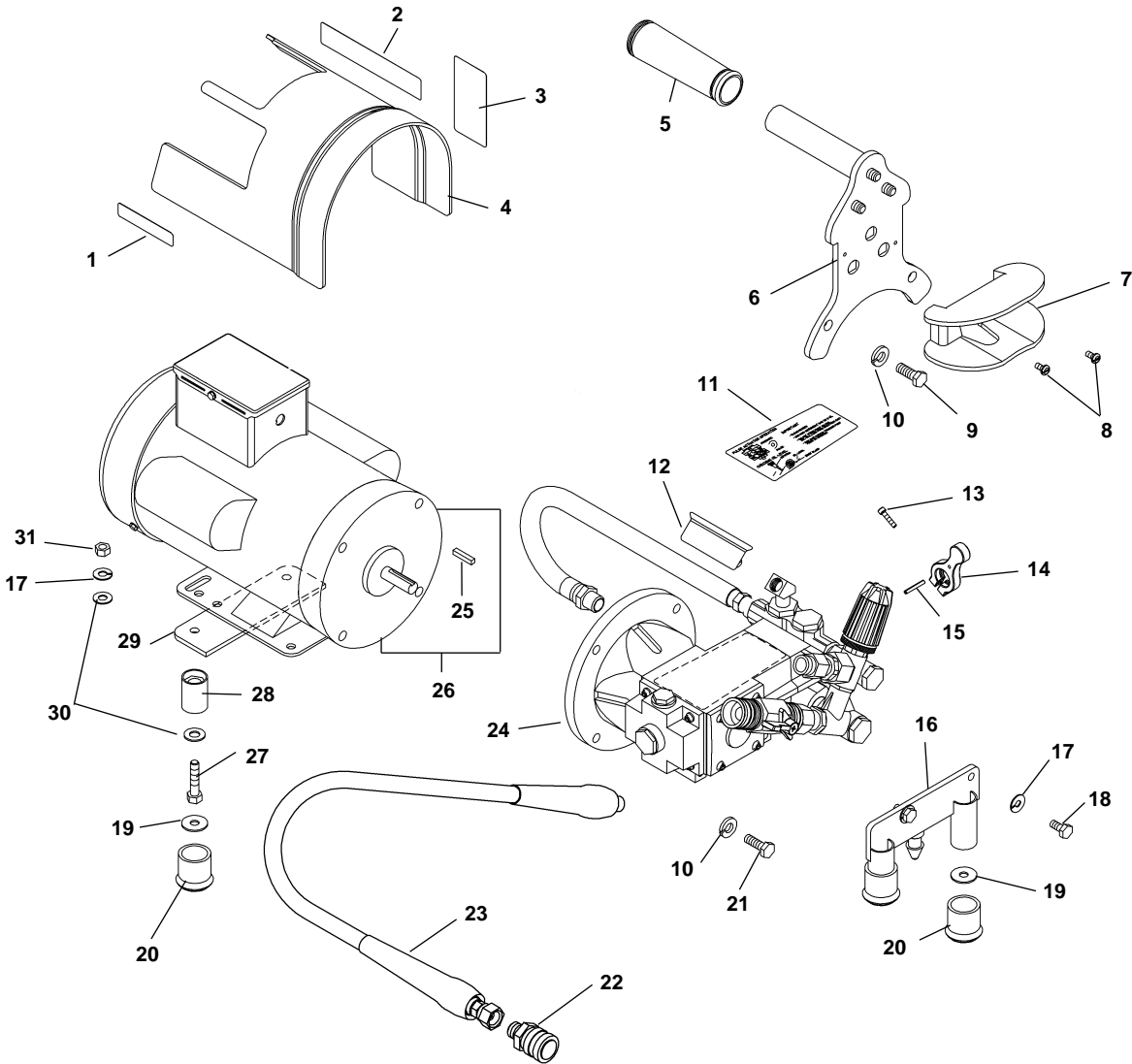
**Main Components - 120V 60Hz**



**NOTE: Order parts by Catalog Number only.  
DO NOT order by Reference Number.**

| Ref. No. | Catalog No. | Description                         | Ref. No. | Catalog No. | Description                         |
|----------|-------------|-------------------------------------|----------|-------------|-------------------------------------|
| 1        | 63972       | Decal, Potable Water                | 17       | 63907       | Actuator Handle                     |
| 2        | 65047       | Decal, Model Number                 | 18       | 41500       | Spring Pin                          |
| 3        | 48232       | Decal, Warning                      | 19       | 60380       | Screw, 3/8" - 16 x 1 1/4" (2)       |
| 4        | 63917       | Motor Shroud                        | 20       | 60085       | Lock Washer, 3/8" (4)               |
| 5        | 60827       | Hand Grip                           | 21       | 63927       | Output Hose                         |
| 6        | 63932       | Handle                              | 22       | 48117       | Female Quick Connect, 1/4" NPT Male |
| 7        | 63937       | Cord Wrap                           | 23       | 86122       | Pump Assembly Complete              |
| 8        | 16417       | Pan Head Screw, #10 - 32 x 3/8" (2) | 24       | 48132       | Dampener Hose, 18"                  |
| 9        | 60380       | Hex Screw, 3/8" - 16 x 1 1/4" (2)   | 25       | 47677       | Square Key, 1/8" x 3/16" x 1"       |
| 10       | 60085       | Lock Washer, 3/8" (4)               | 26       | 65042       | Motor, 120V 60Hz 2 HP               |
| 11       | 63967       | Decal, Pulse Instruction            | 27       | 60230       | Hex Nut, 5/16" - 18 (6)             |
| 12       | 64272       | Pulse Valve Cover                   | 28       | 60080       | Lock Washer, 3/8" (6)               |
| 13       | 48127       | Pulse Control Valve                 | 29       | 48187       | Rubber Foot (4)                     |
| 14       | 63912       | Hex Nipple, 3/8" NPT                | 30       | 61130       | Screw, 5/16" - 18 x 3/4" (2)        |
| 15       | 63957       | Pressure Gauge                      | 31       | 60060       | Flat Washer, 5/16" (6)              |
| 16       | 46375       | Socket Head Screw, #6 - 32 x 5/8"   | 32       | 48182       | Base Plate                          |

**Main Components - 220V 50Hz Export**

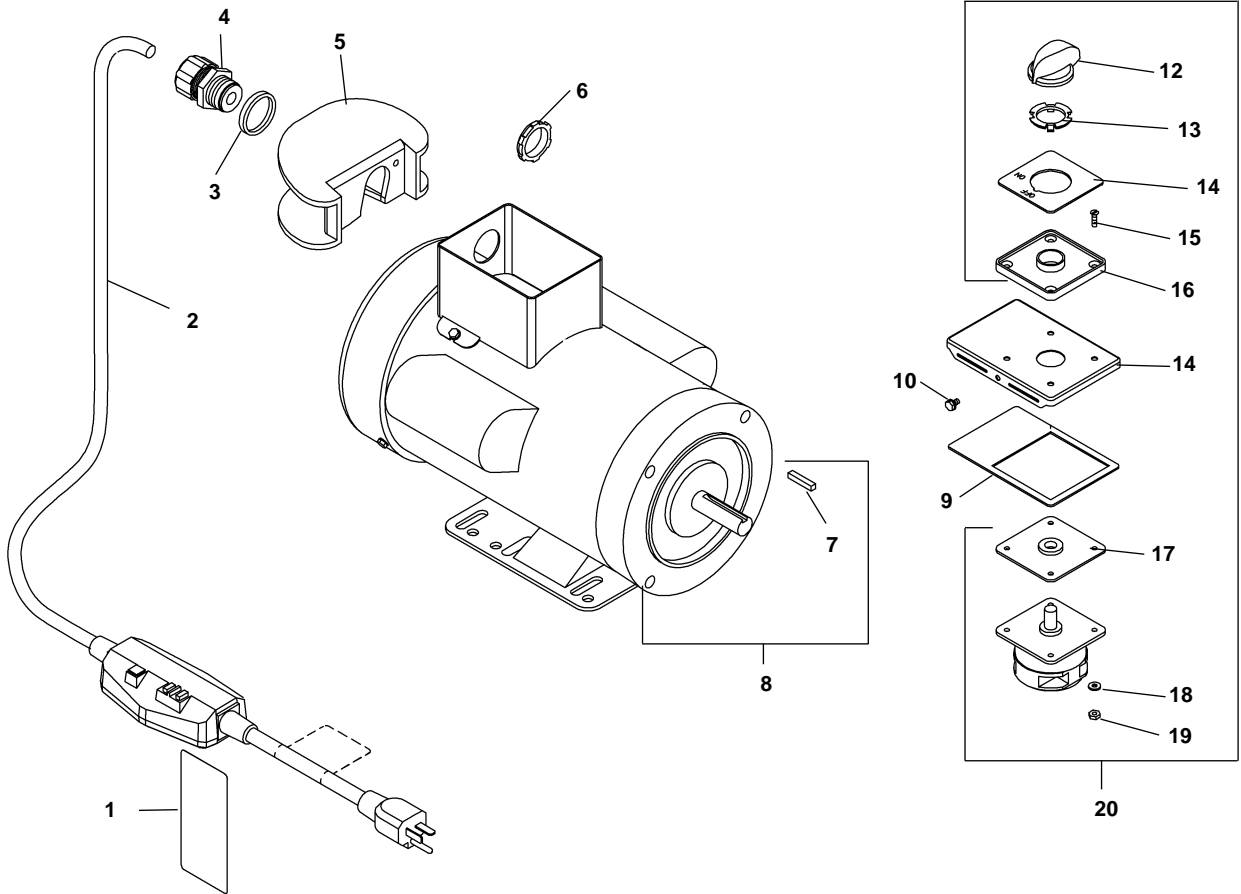


**NOTE: Order parts by Catalog Number only.  
DO NOT order by Reference Number.**

| Ref. No. | Catalog No. | Description                         | Ref. No. | Catalog No. | Description                         |
|----------|-------------|-------------------------------------|----------|-------------|-------------------------------------|
| 1        | 63972       | Decal, Potable Water                | 17       | 60080       | Lock Washer, 5/16" (2)              |
| 2        | 63962       | Decal, Model Number                 | 18       | 61130       | Hex Screw, 5/16" - 18 x 3/4" (2)    |
| 3        | 48232       | Decal, Warning                      | 19       | 60847       | Flat Washer, 1/2" (4)               |
| 4        | 63917       | Motor Shroud                        | 20       | 37962       | Rubber Foot (4)                     |
| 5        | 60827       | Hand Grip                           | 21       | 85915       | Hex Screw, 3/8" - 16 x 3/4" (2)     |
| 6        | 63932       | Handle                              | 22       | 48117       | Female Quick Connect, 1/4" NPT Male |
| 7        | 63937       | Cord Wrap                           | 23       | 63927       | Output Hose                         |
| 8        | 16417       | Screw, #10 - 32 x 3/8" Pan Head (2) | 24       | 86122       | Pump Assembly Complete              |
| 9        | 60380       | Hex Screw, 3/8" - 16 x 1 1/4" (2)   | 25       | 47677       | Key, 1/8" x 3/16" x 1"              |
| 10       | 60085       | Lock Washer, 3/8" (4)               | 26       | 94452       | Motor, 220V 50Hz 2HP                |
| 11       | 63967       | Decal, Pulse Instruction            | 27       | 43847       | Hex Screw, 5/16" - 18 x 1 1/2" (2)  |
| 12       | 63957       | Pressure Gauge                      | 28       | 63947       | Rear Foot                           |
| 13       | 46375       | Socket Head Screw, #6 - 32 x 5/8"   | 29       | 63952       | Rear Bracket                        |
| 14       | 63907       | Actuator Handle                     | 30       | 60060       | Flat Washer, 5/16" (2)              |
| 15       | 41500       | Spring Pin                          | 31       | 60230       | Hex Nut, 5/16" - 18 (2)             |
| 16       | 63942       | Front Foot                          |          |             |                                     |



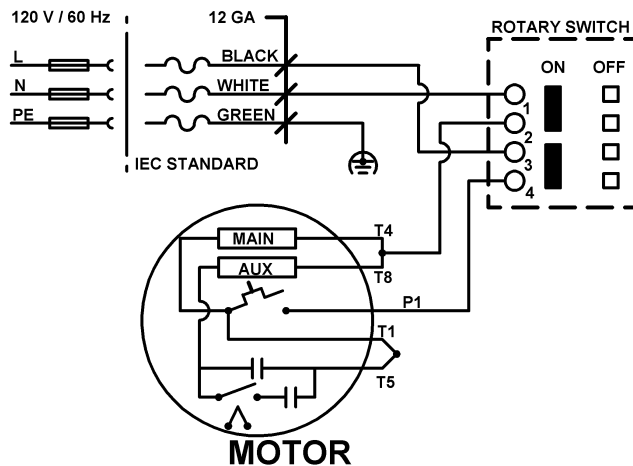
**Electrical 120V 60 Hz**



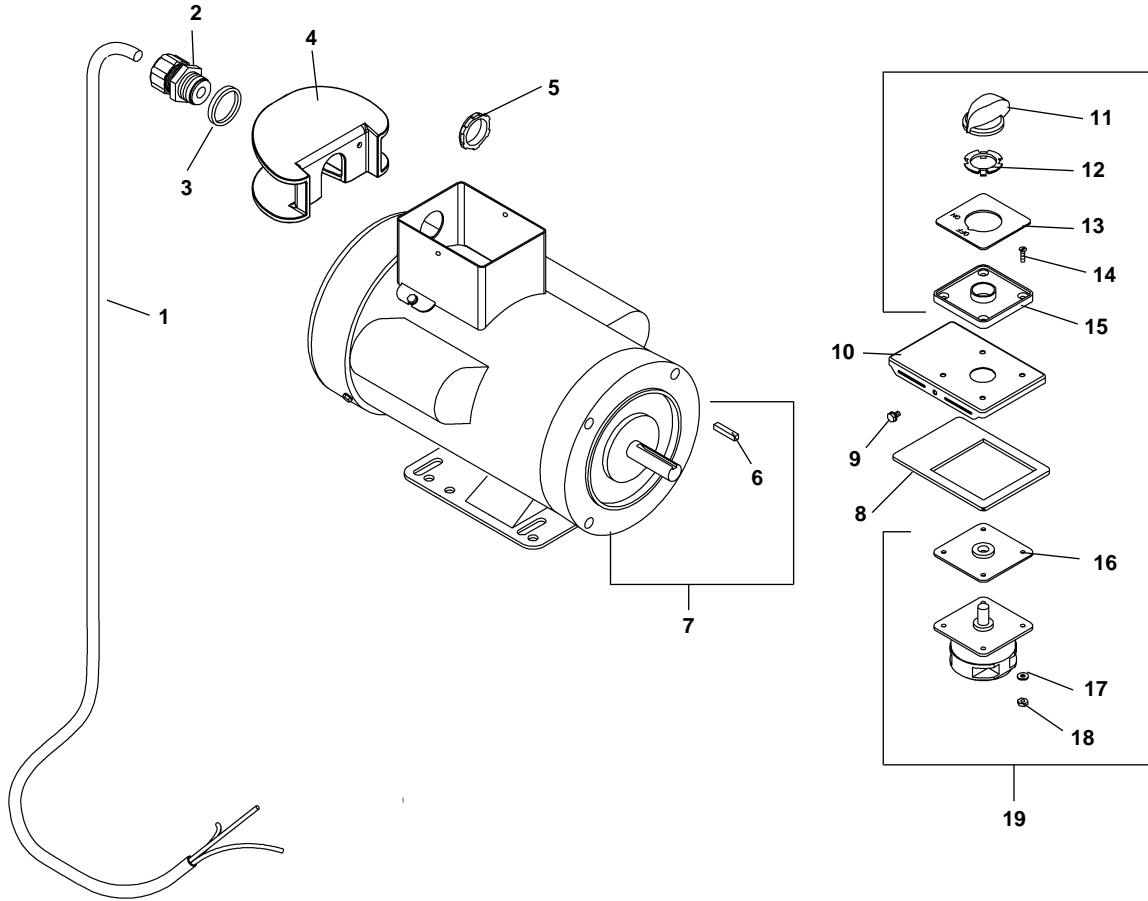
**NOTE: Order parts by Catalog Number only.  
DO NOT order by Reference Number.**

| Ref. No. | Catalog No. | Description                   | Ref. No. | Catalog No. | Description                           |
|----------|-------------|-------------------------------|----------|-------------|---------------------------------------|
| 1        | 63977       | Warning Tag, GFCI             | 11       | 65077       | Conduit Box Cover                     |
| 2        | 65037       | Power Cord with GFCI          | 12       | 65052       | Switch Knob w/Screw                   |
| 3        | 64037       | Flat Washer                   | 13       | 65057       | Lock Nut                              |
| 4        | 36732       | Strain Relief                 | 14       | 65062       | Face Plate                            |
| 5        | 63937       | Cord Wrap                     | 15       | 54162       | Flat Hd. Machine Screw #6 - 32 x 1/2" |
| 6        | 48052       | Strain Relief Nut             | 16       | 65067       | Mounting Plate                        |
| 7        | 47677       | Square Key, 1/8" x 3/16" x 1" | 17       | 65087       | Gasket                                |
| 8        | 65042       | Motor, 120V 60Hz 2 HP         | 18       | 65097       | Flat Washer #6                        |
| 9        | 65082       | Conduit Box Gasket            | 19       | 61327       | Hex Nut #6 - 32                       |
| 10       | 65072       | Screw                         | 20       | 65092       | Rotary Switch Assembly                |

**Wiring Diagram**



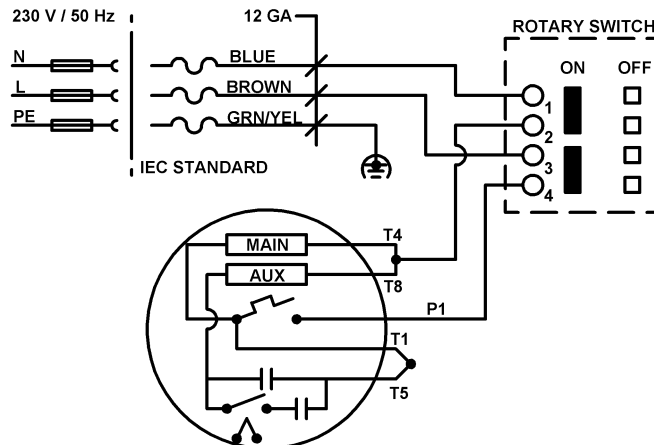
**Electrical 220V 50 Hz Export**



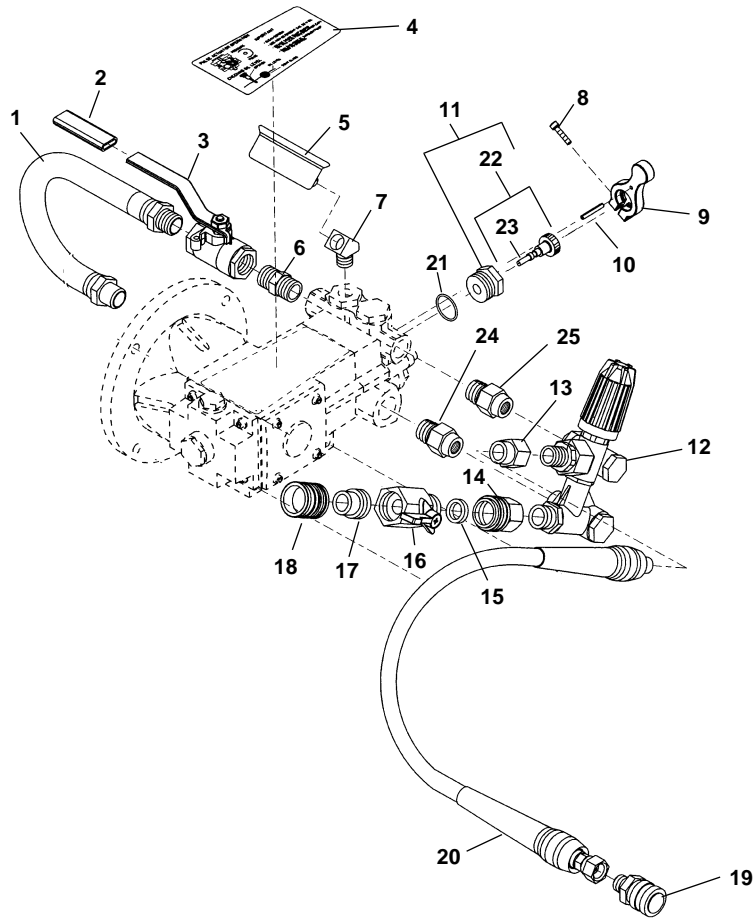
**NOTE: Order parts by Catalog Number only.  
DO NOT order by Reference Number.**

| Ref. No. | Catalog No. | Description                   | Ref. No. | Catalog No. | Description                           |
|----------|-------------|-------------------------------|----------|-------------|---------------------------------------|
| 1        | 15707       | Power Cord                    | 11       | 65052       | Switch Knob w/Screw                   |
| 2        | 64037       | Flat Washer                   | 12       | 65057       | Lock Nut                              |
| 3        | 36732       | Strain Relief                 | 13       | 65062       | Face Plate                            |
| 4        | 63937       | Cord Wrap                     | 14       | 54162       | Flat Hd. Machine Screw #6 - 32 x 1/2" |
| 5        | 48052       | Strain Relief Nut             | 15       | 65067       | Mounting Plate                        |
| 6        | 47677       | Square Key, 1/8" x 3/16" x 1" | 16       | 65087       | Gasket                                |
| 7        | 94452       | Motor, 220V 50Hz 2 HP         | 17       | 65097       | Flat Washer #6                        |
| 8        | 65082       | Conduit Box Gasket            | 18       | 61327       | Hex Nut #6 - 32                       |
| 9        | 65072       | Screw                         | 19       | 65092       | Rotary Switch Assembly                |
| 10       | 65077       | Conduit Box Cover             |          |             |                                       |

**Wiring Diagram**

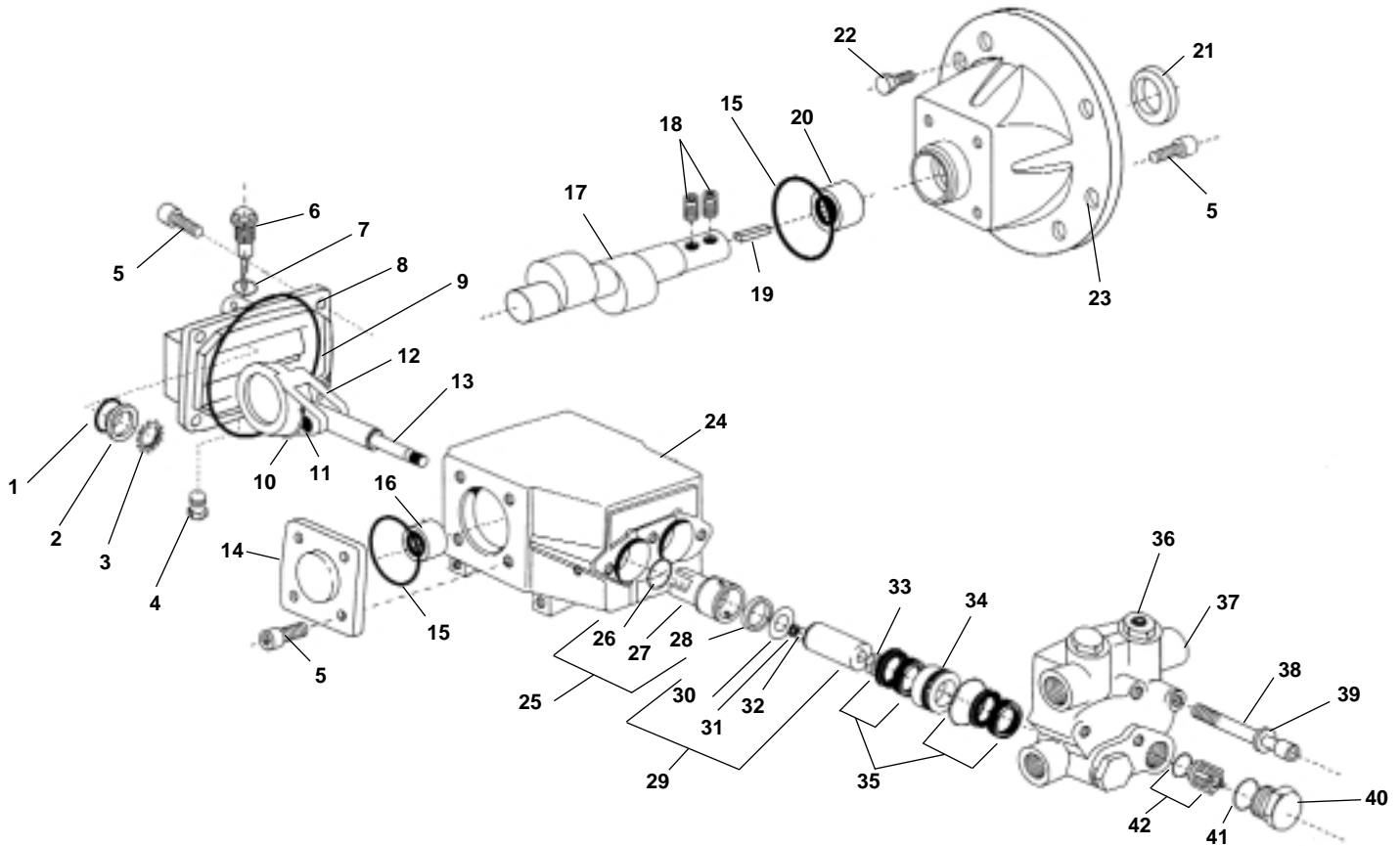


**Flow Control System**



| Ref. No. | Catalog No. | Description                         |
|----------|-------------|-------------------------------------|
| 1        | 48132       | Dampener Hose, 18"                  |
| 2        | 64272       | Pulse Valve Cover                   |
| 3        | 48127       | Pulse Control Valve                 |
| 4        | 63967       | Decal, Pulse Instruction            |
| 5        | 63902       | Pressure Gauge                      |
| 6        | 63912       | Hex Nipple, 3/8" NPT                |
| 7        | 48107       | Street El, 45 Degree                |
| 8        | 46375       | Soc Hd Screw, #6 - 32 x 5/8"        |
| 9        | 63907       | Actuator Handle                     |
| 10       | 41500       | Spring Pin                          |
| 11       | 65192       | Pulse Assembly                      |
| 12       | 65202       | Unloader Valve Assembly             |
| 13       | 65197       | Reducer Coupling                    |
| 14       | 65207       | Hose Adapter                        |
| 15       | 48287       | Filter Washer                       |
| 16       | 49582       | Water Shut Off                      |
| 17       | 48202       | Hose Coupler Nipple                 |
| 18       | 48197       | Hose Coupler                        |
| 19       | 48117       | Female Quick Connect, 1/4" NPT Male |
| 20       | 63927       | Output Hose                         |
| 21       | 65392       | O-Ring                              |
| 22       | 85872       | Adjusting Screw w/Seals             |
| 23       | 85882       | Seals for Adjusting Screw           |
| 24       | 70427       | Inlet Adapter, 1/2" x 1/2"          |
| 25       | 70432       | Outlet Adapter, 3/8" x 3/8"         |
|          | 65102       | Wash Wand Nozzle (Not Shown)        |
|          | 70897       | Chemical Injector (Not Shown)       |

**Pump Assembly - Type 2**



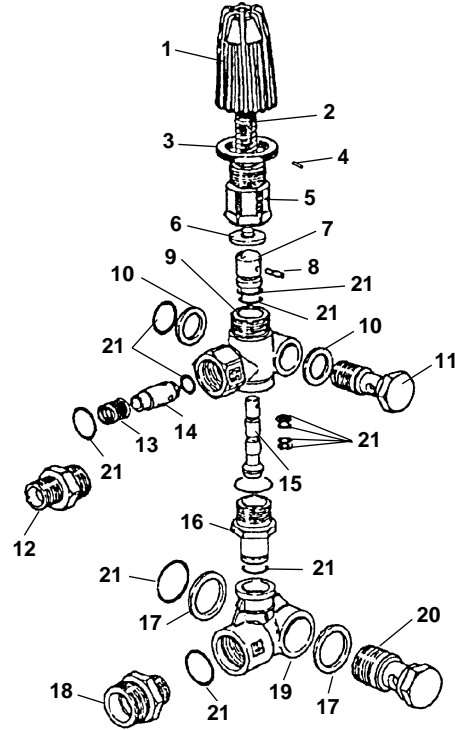
**NOTE: Order parts by Catalog Number Only.  
DO NOT order by Reference Number.**

| Ref. No. | Catalog No. | Description                               | Ref. No. | Catalog No. | Description                      | Ref. No. | Catalog No. | Description                 |
|----------|-------------|---|----------|-------------|----------------------------------|----------|-------------|-----------------------------|
| 1        | 88852       | O-Ring                                    | 15       | 47707       | O-Ring (2)                       | 30       | 47762       | Slinger Ring (2)            |
| 2        | 88847       | Sight Glass                               | 16       | 88822       | Needle Bearing                   | 31       | 47712       | Backup Seal (2)             |
| 3        | 88857       | Retainer                                  | 17       | 88877       | Crankshaft                       | 32       | 47697       | O-Ring (2)                  |
| 4        | 47782       | Drain Plug, 1/4" NPT                      | 18       | 47752       | Set Screw, 1/4" - 28 x 1/4" (2)  | 33       | 88867       | Retaining Nut (2)           |
| 5        | 40910       | Soc. Hd. Cap Screw, 1/4" - 20 x 3/4" (12) | 19       | 47677       | Key, 1/8" x 3/16" x 1"           | 34       | 89007       | Cup Retainer, (2)           |
| 6        | 47787       | Dip Stick                                 | 20       | 47727       | Needle Bearing                   | 35       | 89002       | Plunger Seal Kit            |
| 7        | 88452       | O-Ring                                    | 21       | 47732       | Seal                             | 36       | 89017       | Valve Cap, Ported, 1/4" NPT |
| 8        | 88842       | Crankcase Cover                           | 22       | 75350       | Hex Bolt, 3/8" - 16 x 1 1/4" (4) | 37       | 88792       | Head                        |
| 9        | 88447       | O-Ring                                    | 23       | 47667       | C-Flange End Cover               | 38       | 47747       | Socket Head Cap Screw (4)   |
| 10       | 88837       | Spring Retainer (2)                       | 24       | 88812       | Crankcase                        | 39       | 88872       | Lock Washer (4)             |
| 11       | 88827       | Wrist Pin (2)                             | 25       | 88437       | Oil Seal Repair Kit              | 40       | 88412       | Valve Cap (2)               |
| 12       | 88832       | Connecting Rod (2)                        | 26       | 88442       | O-Ring (2)                       | 41       | 88417       | O-Ring (4)                  |
| 13       | 88807       | Plunger Rod (2)                           | 27       | 88797       | Insert (2)                       | 42       | 88422       | Valve Kit                   |
| 14       | 88817       | End Plate                                 | 28       | 88802       | Oil Seal (2)                     |          |             |                             |
|          |             |   | 29       | 88997       | Plunger Kit, (2)                 |          |             |                             |

**Unloader Valve - Early Style (Red Knob)**

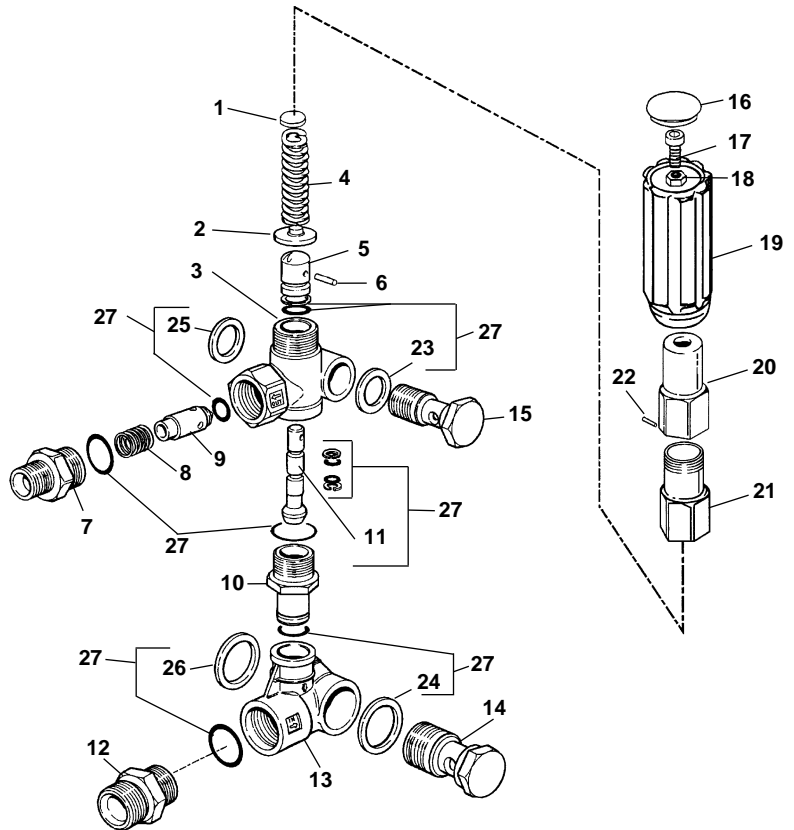
**NOTE: Order parts by Catalog Number Only.  
DO NOT order by Reference Number.**

| Ref. No. | Catalog No. | Description         |
|----------|-------------|---------------------|
| 1        | 64277       | Control Knob        |
| 2        | 64282       | Spring              |
| 3        | 64287       | Stop Ring           |
| 4        | 64292       | Set Screw           |
| 5        | 64297       | Spring Guide        |
| 6        | 64302       | Spring Button       |
| 7        | 64307       | Poppet              |
| 8        | 64312       | Pin                 |
| 9        | 64317       | Valve Body          |
| 10       | 64322       | Gasket (2)          |
| 11       | 64327       | Outlet Port Adapter |
| 12       | 64332       | Poppet Retainer     |
| 13       | 64337       | Spring              |
| 14       | 64342       | Poppet              |
| 15       | 64347       | Plunger             |
| 16       | 64352       | By-Pass Spring      |
| 17       | 64357       | Gasket              |
| 18       | 64362       | Inlet Adapter       |
| 19       | 64367       | By-Pass Adapter     |
| 20       | 64372       | Port Adapter        |
| 21       | 64377       | Seal Kit            |

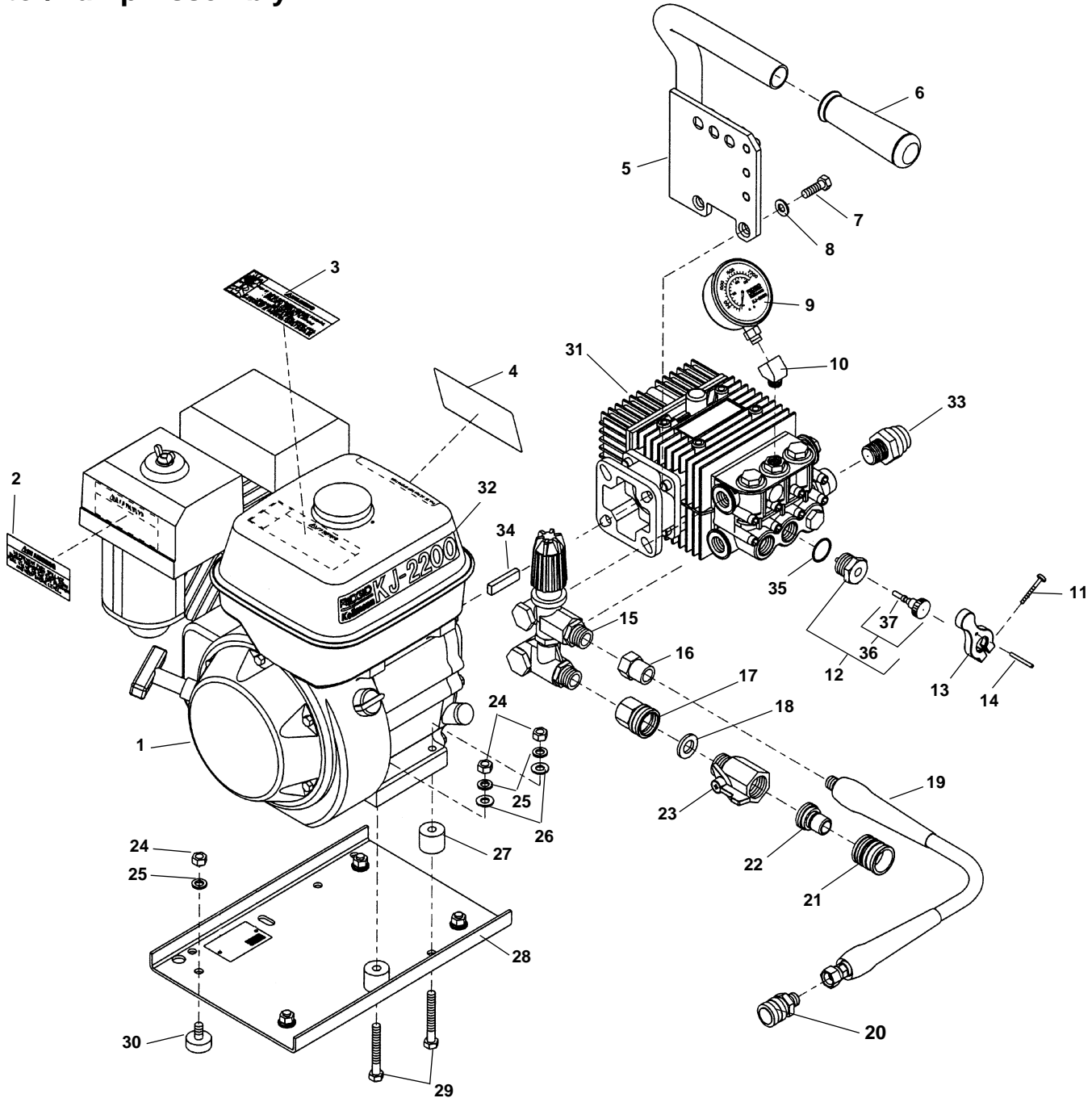


**Unloader Valve - (Black Knob)**

| Ref. No. | Catalog No. | Description                          |
|----------|-------------|--------------------------------------|
| —        | 65202       | Unloader Valve Complete              |
| 1        | 85902       | Plate                                |
| 2        | 64302       | Spring Button                        |
| 3        | 64317       | Body                                 |
| 4        | 85897       | Spring                               |
| 5        | 64307       | Poppet                               |
| 6        | 64312       | Pin                                  |
| 7        | 64332       | Outlet Poppet Retainer               |
| 8        | 64337       | Spring                               |
| 9        | 64342       | Poppet                               |
| 10       | 64352       | By-Pass Seat                         |
| 11       | 64347       | Plunger                              |
| 12       | 64362       | Inlet Adapter                        |
| 13       | 64367       | Manifold                             |
| 14       | 64372       | Inlet Port Adapter                   |
| 15       | 64327       | Outlet Port Adapter                  |
| 16       | 85892       | Plug Cap                             |
| 17       | 32270       | Soc. Hd. Cap Screw 5/16" - 18 - 3/4" |
| 18       | 61115       | Hex Nut 5/16" x 18                   |
| 19       | 85887       | Control Knob (Black)                 |
| 20       | 85907       | Cap                                  |
| 21       | 85917       | Spring Guide                         |
| 22       | 85912       | Pin                                  |
| 23       | 64322       | Seal Washer                          |
| 24       | 64357       | Seal Washer                          |
| 25       | 85922       | Seal Washer                          |
| 26       | 85927       | Seal Washer                          |
| 27       | 85932       | Seal Kit                             |



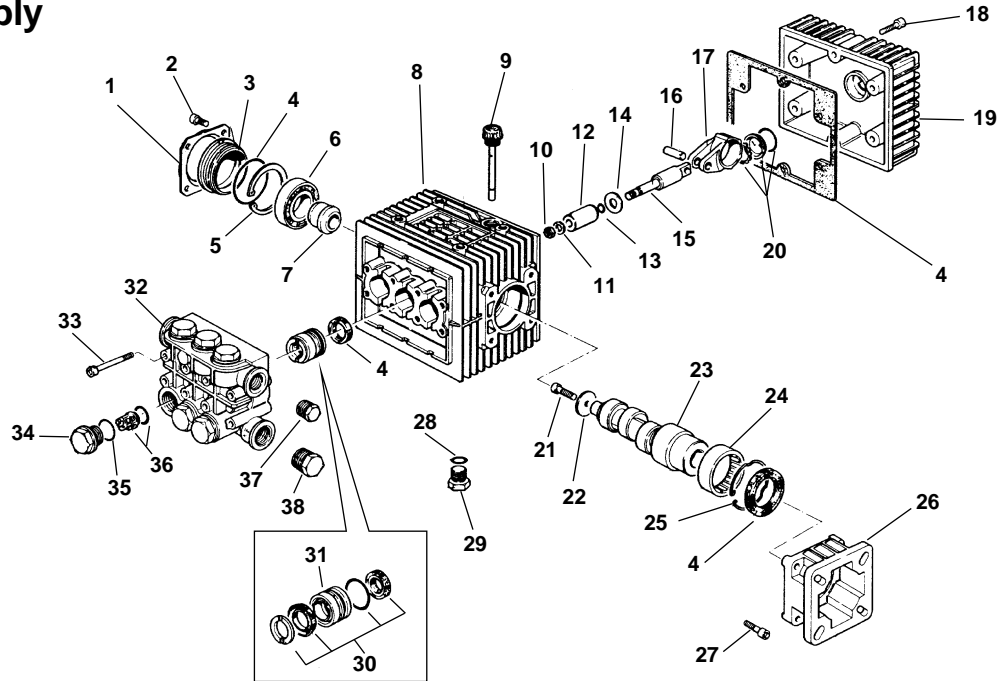
**Motor/Pump Assembly**



**NOTE: Order parts by Catalog Number Only.  
DO NOT order by Reference Number.**

| Ref. No. | Catalog No. | Description  | Ref. No. | Catalog No. | Description                       | Ref. No. | Catalog No. | Description   |
|----------|-------------|--|----------|-------------|-----------------------------------|----------|-------------|---|
| 1        | 49532       | Gasoline Engine, 5.5 Hp                                | 14       | 41500       | Spring Pin                        | 27       | 43852       | Spacer (4)  |
| 2        | 60102       | Decal, Fuel Warning                                    | 15       | 65202       | Unloader Valve Complete           | 28       | 48182       | Base Plate  |
| 3        | 49562       | Decal, Warning   | 16       | 65197       | Reducer Coupling                  | 29       | 49597       | Hex Screw $\frac{5}{16}$ " - 18 x 2 $\frac{1}{4}$ " (4) |
| 4        | 65182       | Decal, Pulse Actuator                                  | 17       | 65207       | Hose Adapter                      | 30       | 48187       | Rubber Foot (4)   |
| 5        | 65177       | Handle   | 18       | 48287       | Filter Washer                     | 31       | 65217       | Pump Complete   |
| 6        | 60827       | Hand Grip  | 19       | 65212       | Output Hose                       | 32       | 65187       | Decal, Model No. KJ-2200                                |
| 7        | 60380       | Hex Screw $\frac{3}{8}$ " - 16 x 1 $\frac{1}{4}$ " (4) | 20       | 48117       | Quick Connect (Male 48487)        | 33       | 65412       | Thermal Protector                                       |
| 8        | 63977       | Lock Washer $\frac{3}{8}$ " (4)                        | 21       | 48197       | Hose Coupler                      | 34       | 66297       | Key   |
| 9        | 65137       | Pressure Gauge, KJ-2200                                | 22       | 48202       | Hose Coupler Nipple               | 35       | 65392       | O-Ring  |
| 10       | 48107       | Street EL, 45°   | 23       | 49582       | Water Shut-off                    | 36       | 85872       | Adjusting Screw w/Seals                                 |
| 11       | 46375       | Soc. Head Screw #6 - 32 x $\frac{5}{8}$ "              | 24       | 60230       | Hex Nut $\frac{5}{16}$ " - 18 (8) | 37       | 85882       | Seals for Adjusting Screw                               |
| 12       | 85862       | Pulse Assembly, KJ-2200                                | 25       | 60080       | Lock Washer $\frac{3}{8}$ " (8)   |          | 65117       | Wash Wand Nozzle (Not Shown)                            |
| 13       | 63907       | Actuator Handle  | 26       | 60060       | Flat Washer $\frac{3}{8}$ " (4)   |          | 70902       | Chemical Injector (Not Shown)                           |

**Pump Assembly**

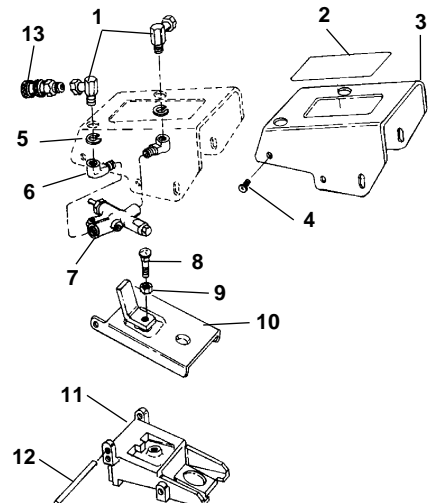


**NOTE: Order parts by Catalog Number Only.  
DO NOT order by Reference Number.**

| Ref. No. | Catalog No. | Description                | Ref. No. | Catalog No. | Description                     | Ref. No. | Catalog No. | Description                     |
|----------|-------------|----------------------------|----------|-------------|---------------------------------|----------|-------------|---------------------------------|
| —        | 65217       | Pump Assembly              | 13       | 65282       | O-Ring (3)                      | 26       | 65347       | Mounting Flange                 |
| 1        | 65222       | Bearing Retainer           | 14       | 65287       | Slinger (3)                     | 27       | 65352       | Bolt (4)                        |
| 2        | 65227       | Bolt (4)                   | 15       | 65292       | Lower Plunger (3)               | 28       | 65357       | O-Ring                          |
| 3        | 65232       | Bearing Cover              | 16       | 65297       | Wrist Pin (3)                   | 29       | 65362       | Drain Plug                      |
| 4        | 65237       | Crankcase Seal Kit (4 pcs) | 17       | 65302       | Connecting Rod (3)              | 30       | 65367       | Plunger Seal Kit (3 sets)       |
| 5        | 65242       | Retaining Ring             | 18       | 65307       | Bolt, M5 x 20 (6)               | 31       | 65372       | Cup Retainer (3)                |
| 6        | 65247       | Ball Bearing               | 19       | 65312       | Crankcase Cover                 | 32       | 65377       | Pump Head                       |
| 7        | 65252       | Shaft Retainer             | 20       | 65317       | Sight Glass w/O-Ring & Retainer | 33       | 65382       | Bolts, M6 x 60 (8)              |
| 8        | 65257       | Crankcase                  | 21       | 65322       | Bolt                            | 34       | 65387       | Valve Cap (6)                   |
| 9        | 65262       | Dipstick                   | 22       | 65327       | Washer                          | 35       | 65392       | O-Ring (6)                      |
| 10       | 65267       | Nut (3)                    | 23       | 65332       | Crankshaft                      | 36       | 65397       | Valve Kit (6 Valves, 6 O-Rings) |
| 11       | 65272       | Plunger Seal (3)           | 24       | 65337       | Roller Bearing                  | 37       | 65402       | Port Plug, Small                |
| 12       | 65277       | Plunger (3)                | 25       | 65342       | Retaining Ring                  | 38       | 65407       | Port Plug, Large                |

**FV-1 Foot Valve**

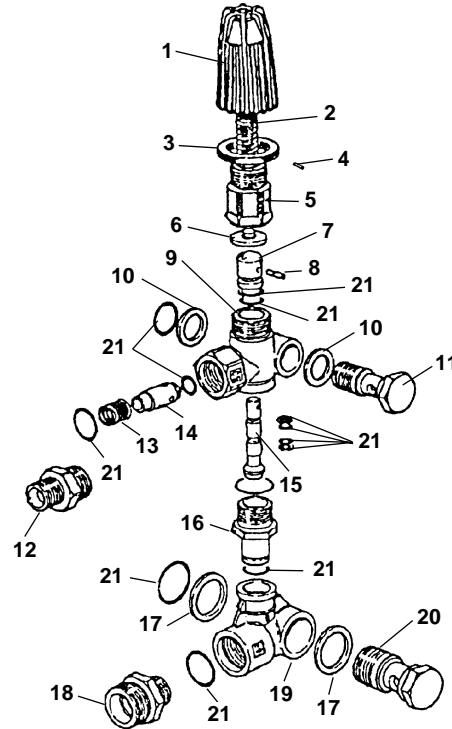
| Ref. No. | Catalog No. | Description                  |
|----------|-------------|------------------------------|
| —        | 48157       | Foot Valve Complete, FV-1    |
| 1        | 49787       | Elbow w/Swivel, 1/4" NPT (2) |
| 2        | 49777       | Decal, Model No.             |
| 3        | 49772       | Cover                        |
| 4        | 36787       | Screw, Self Tapping, #10 (4) |
| 5        | 49792       | Lock Washer 9/16" (2)        |
| 6        | 49797       | Street EL, 1/4" NPT(2)       |
| 7        | 49782       | Valve Assembly               |
| 8        | 49802       | Carriage Bolt, 1/4" NPT      |
| 9        | 47297       | Lock Nut, 1/4" - 20          |
| 10       | 49767       | Foot Pedal                   |
| 11       | 36737       | Base                         |
| 12       | 36747       | Pivot Pin                    |
| 13       | 48117       | Quick Connect – Female       |



**Unloader Valve - Early Style (Red Knob)**

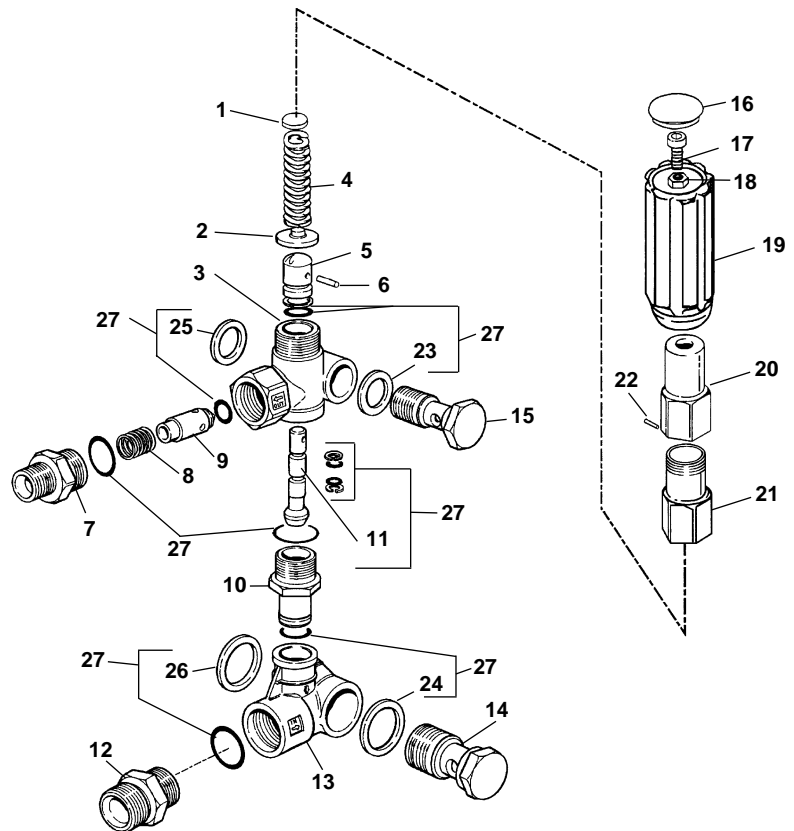
**NOTE: Order parts by Catalog Number Only.  
DO NOT order by Reference Number.**

| Ref. No. | Catalog No. | Description         |
|----------|-------------|---------------------|
| 1        | 64277       | Control Knob        |
| 2        | 64282       | Spring              |
| 3        | 64287       | Stop Ring           |
| 4        | 64292       | Set Screw           |
| 5        | 64297       | Spring Guide        |
| 6        | 64302       | Spring Button       |
| 7        | 64307       | Poppet              |
| 8        | 64312       | Pin                 |
| 9        | 64317       | Valve Body          |
| 10       | 64322       | Gasket (2)          |
| 11       | 64327       | Outlet Port Adapter |
| 12       | 64332       | Poppet Retainer     |
| 13       | 64337       | Spring              |
| 14       | 64342       | Poppet              |
| 15       | 64347       | Plunger             |
| 16       | 64352       | By-Pass Spring      |
| 17       | 64357       | Gasket              |
| 18       | 64362       | Inlet Adapter       |
| 19       | 64367       | By-Pass Adapter     |
| 20       | 64372       | Port Adapter        |
| 21       | 64377       | Seal Kit            |



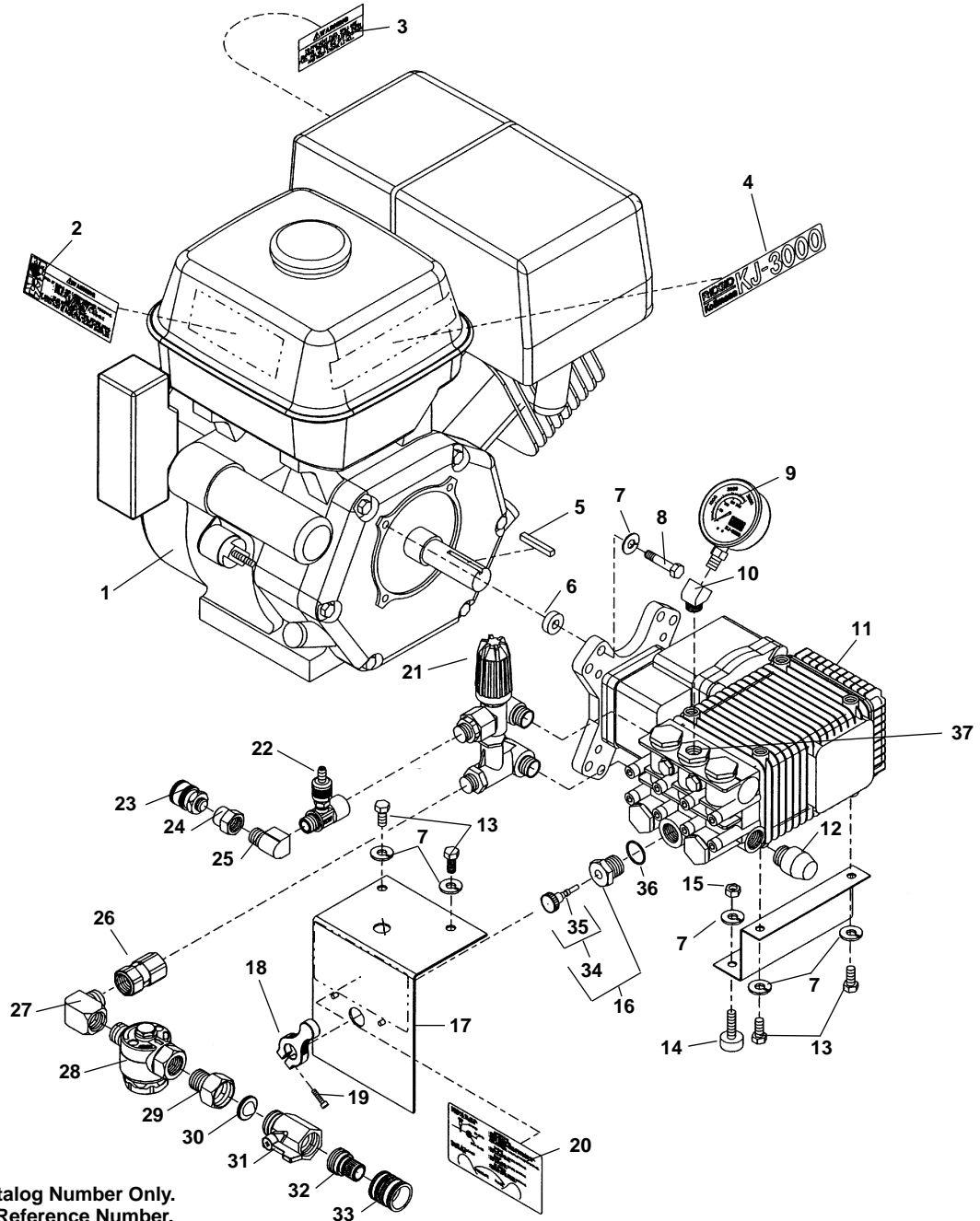
**Unloader Valve - (Black Knob)**

| Ref. No. | Catalog No. | Description                          |
|----------|-------------|--------------------------------------|
| —        | 65202       | Unloader Valve Complete              |
| 1        | 85902       | Plate                                |
| 2        | 64302       | Spring Button                        |
| 3        | 64317       | Body                                 |
| 4        | 85897       | Spring                               |
| 5        | 64307       | Poppet                               |
| 6        | 64312       | Pin                                  |
| 7        | 64332       | Outlet Poppet Retainer               |
| 8        | 64337       | Spring                               |
| 9        | 64342       | Poppet                               |
| 10       | 64352       | By-Pass Seat                         |
| 11       | 64347       | Plunger                              |
| 12       | 64362       | Inlet Adapter                        |
| 13       | 64367       | Manifold                             |
| 14       | 64372       | Inlet Port Adapter                   |
| 15       | 64327       | Outlet Port Adapter                  |
| 16       | 85892       | Plug Cap                             |
| 17       | 32270       | Soc. Hd. Cap Screw 5/16" - 18 - 3/4" |
| 18       | 61115       | Hex Nut 5/16" x 18                   |
| 19       | 85887       | Control Knob (Black)                 |
| 20       | 85907       | Cap                                  |
| 21       | 85917       | Spring Guide                         |
| 22       | 85912       | Pin                                  |
| 23       | 64322       | Seal Washer                          |
| 24       | 64357       | Seal Washer                          |
| 25       | 85922       | Seal Washer                          |
| 26       | 85927       | Seal Washer                          |
| 27       | 85932       | Seal Kit                             |





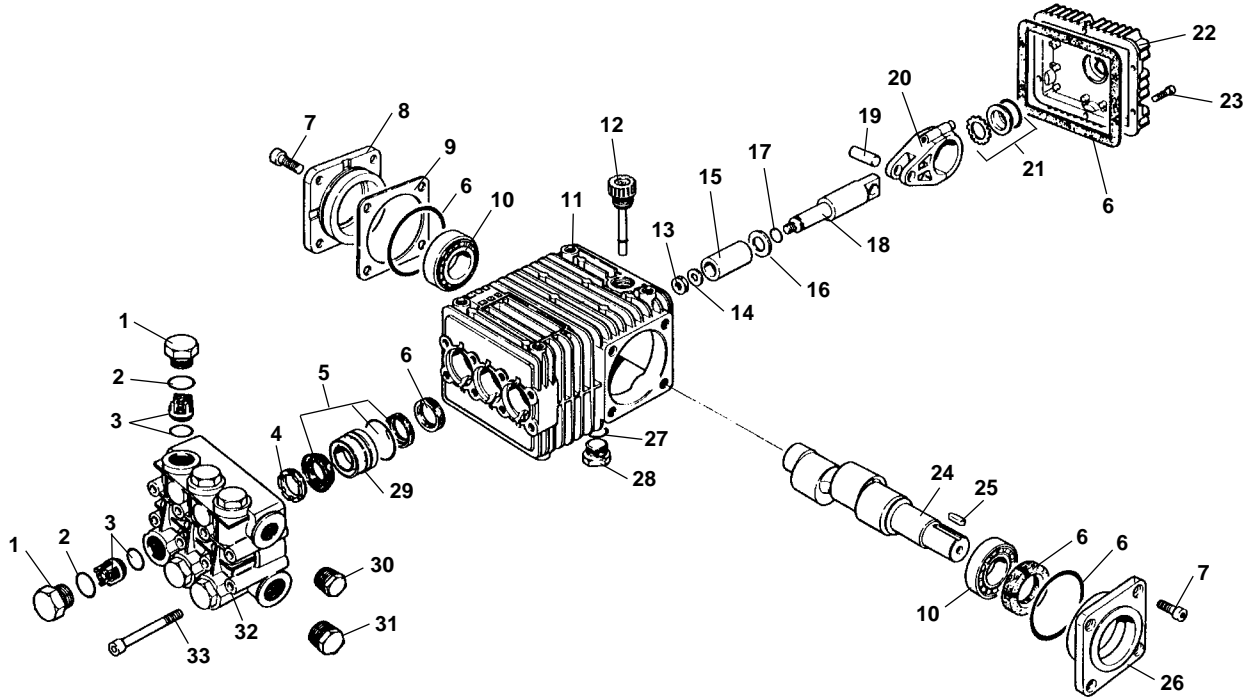
**Motor/Pump Assembly**



**NOTE: Order parts by Catalog Number Only.  
DO NOT order by Reference Number.**

| Ref. No. | Catalog No. | Description                           | Ref. No. | Catalog No. | Description                        | Ref. No. | Catalog No. | Description                    |
|----------|-------------|---------------------------------------|----------|-------------|------------------------------------|----------|-------------|--------------------------------|
| 1        | 66092       | Gasoline Engine, 13 Hp Manual Start   | 13       | 66132       | Hex Hd. Cap Scr., Metric M8-10 (4) | 26       | 66867       | Coupling, 1/2" NPT             |
|          | 66097       | Gasoline Engine, 13 Hp Electric Start | 14       | 48187       | Rubber Foot (4)                    | 27       | 48147       | Street EL, 90 Degree, 1/2" NPT |
| 2        | 49562       | Decal, Warning                        | 15       | 60230       | Nut (4)                            | 28       | 66167       | Inlet Filter                   |
| 3        | 60102       | Decal, Fuel Warning                   | 16       | 85867       | Pulse Actuator Assembly            | 29       | 49587       | Hose Adapter w/Washer          |
| 4        | 66102       | Decal, Model No., KJ-3000             | 17       | 66137       | Panel                              | 30       | 48287       | Filter Washer                  |
| 5        | 66107       | Key, 1/4" x 1/4" x 1"                 | 18       | 63907       | Pulse Actuator Handle              | 31       | 49582       | Water Shut-Off                 |
| 6        | 66112       | Spacer, Gearbox Mount                 | 19       | 46375       | Soc. Hd. Cap Screw, #6 - 32 x 5/8" | 32       | 48202       | Hose Adapter Nipple            |
| 7        | 60080       | Lock Washer (8)                       | 20       | 66142       | Decal, Instruction                 | 33       | 48197       | Hose Coupler                   |
| 8        | 75350       | Hex Screw, 3/8" - 16 x 1 1/4" (4)     | 21       | 65202       | Unloader Valve                     | 34       | 85877       | Adjusting Screw w/Seals        |
| 9        | 66117       | Pressure Gauge, KJ-3000               | 22       | 66147       | Chemical Injector                  | 35       | 85882       | Seals for Adjusting Screw      |
| 10       | 48107       | Street EL, 45 Degree                  | 23       | 48117       | Quick Connect - Female             | 36       | 65392       | O-Ring                         |
| 11       | 66122       | Pump Complete, 3000 PSI               | 24       | 66157       | Reducer Adapter                    | 37       | 65127       | Wash Wand Nozzle (Not Shown)   |
| 12       | 65412       | Thermal Relief Valve                  | 25       | 66162       | Street EL, 90 Degree               |          | 95787       |                                |

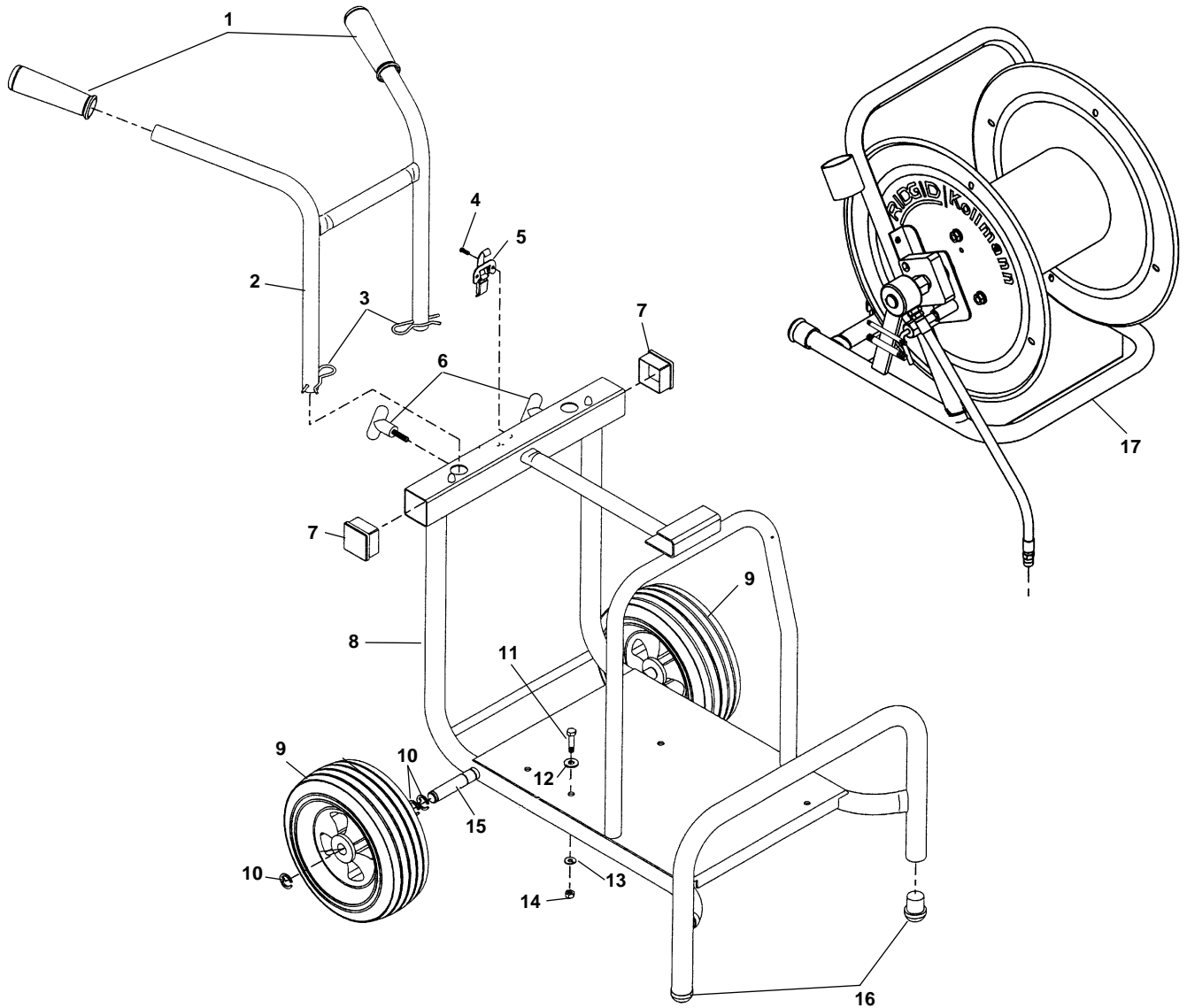
**Pump Assembly**



**NOTE: Order parts by Catalog Number Only.  
DO NOT order by Reference Number.**

| Ref. No. | Catalog No. | Description                     | Ref. No. | Catalog No. | Description                 | Ref. No. | Catalog No. | Description             |
|----------|-------------|---------------------------------|----------|-------------|-----------------------------|----------|-------------|-------------------------|
| —        | 66122       | Pump Assembly                   | 12       | 65262       | Dipstick                    | 23       | 66287       | Soc. Head Cap Screw (6) |
| 1        | 66192       | Valve Cap (6)                   | 13       | 66242       | Nut (3)                     | 24       | 66292       | Crankshaft              |
| 2        | 65392       | O-Ring (6)                      | 14       | 66247       | Plunger Seal Washer (3)     | 25       | 66297       | Key                     |
| 3        | 66197       | Valve Kit (6 Valves, 6 O-Rings) | 15       | 66252       | Plunger (3)                 | 26       | 66302       | End Cover, Shaft        |
| 4        | 66202       | Cup Spreader (3)                | 16       | 66257       | Slinger (3)                 | 27       | 65357       | O-Ring                  |
| 5        | 66207       | Plunger Seal Kit (3 Sets)       | 17       | 66262       | O-Ring (3)                  | 28       | 65362       | Drain Plug              |
| 6        | 66212       | Crankcase Seal Kit (7 pcs)      | 18       | 66267       | Lower Plunger (3)           | 29       | 66307       | Cup Retainer (3)        |
| 7        | 66217       | Soc. Head Cap Screw (8)         | 19       | 66272       | Wrist Pin (3)               | 30       | 65402       | Port Plug, Small        |
| 8        | 66222       | End Cover                       | 20       | 66277       | Connecting Rod (3)          | 31       | 65407       | Port Plug, Large        |
| 9        | 66227       | Shim Set                        | 21       | 65317       | Sight Glass/O-Ring/Retainer | 32       | 66312       | Pump Head               |
| 10       | 66232       | Ball Bearing (2)                | 22       | 66282       | Crankcase Cover             | 33       | 66317       | Soc. Head Cap Screw (8) |
| 11       | 66237       | Crankcase                       |          |             |                             |          |             |                         |

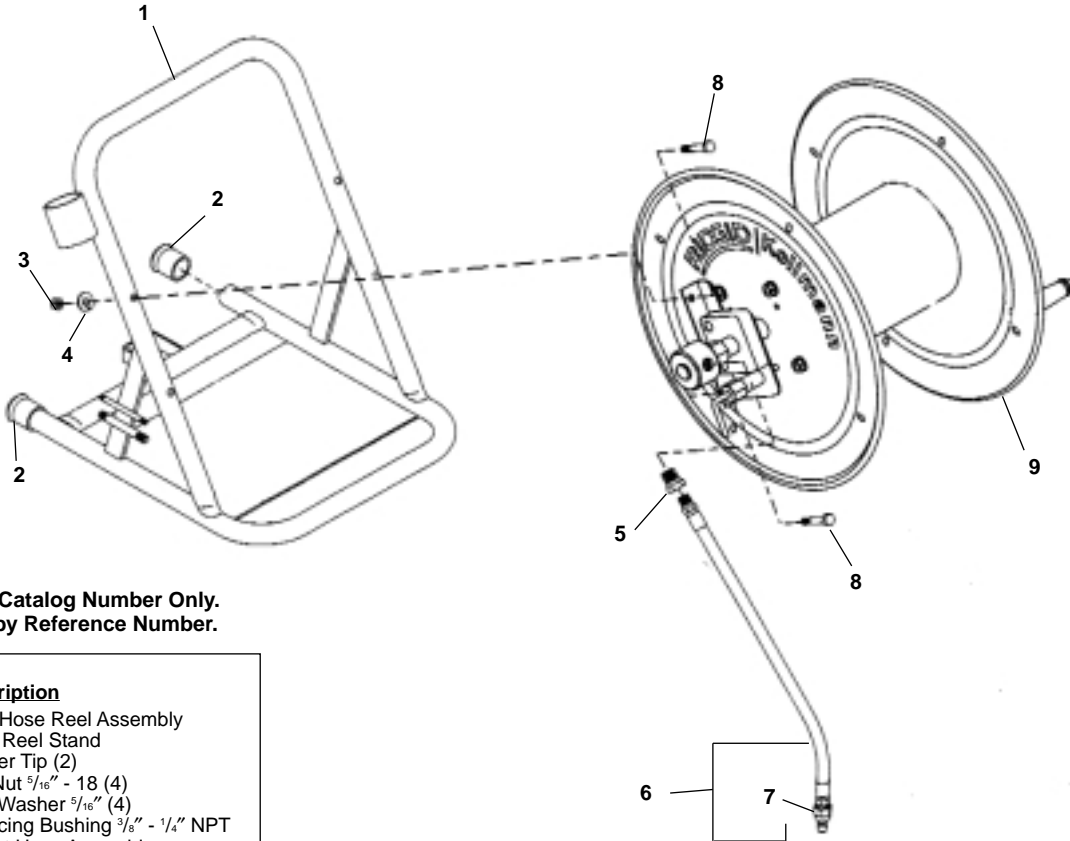
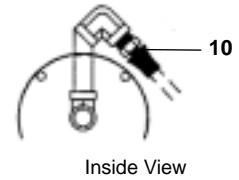
**Cart with Hose Reel**



**NOTE: Order parts by Catalog Number Only.  
DO NOT order by Reference Number.**

| Ref. No. | Catalog No. | Description                           |
|----------|-------------|---------------------------------------|
| 1        | 60827       | Hand Grip (2)                         |
| 2        | 66017       | Handle Assembly                       |
| 3        | 60677       | Hairpin (2)                           |
| 4        | 27017       | Screw, Self Tapping #12-24 x 3/4" (2) |
| 5        | 47972       | Latch                                 |
| 6        | 60622       | Mounting Knob (2)                     |
| 7        | 66027       | Square Plug (2)                       |
| 8        | 66032       | Frame                                 |
| 9        | 23597       | Wheel (2)                             |
| 10       | 60050       | Retaining Ring (6)                    |
| 11       | 43992       | Hex Screw 3/8"-16 x 2" (4)            |
| 12       | 59970       | Flat Washer 3/8" (4)                  |
| 13       | 60085       | Lock Washer 3/8" (4)                  |
| 14       | 60395       | Hex Nut 3/8" (4)                      |
| 15       | 66037       | Axle                                  |
| 16       | 61470       | Rubber Plug (2)                       |
| 17       | 64862       | H-38 Hose Reel Assembly               |

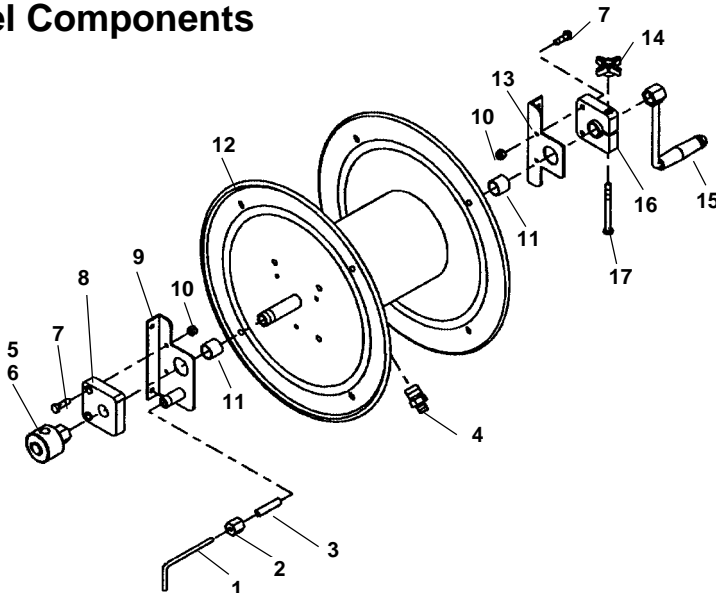
**H-38 Reel Assembly**



**NOTE: Order parts by Catalog Number Only.  
DO NOT order by Reference Number.**

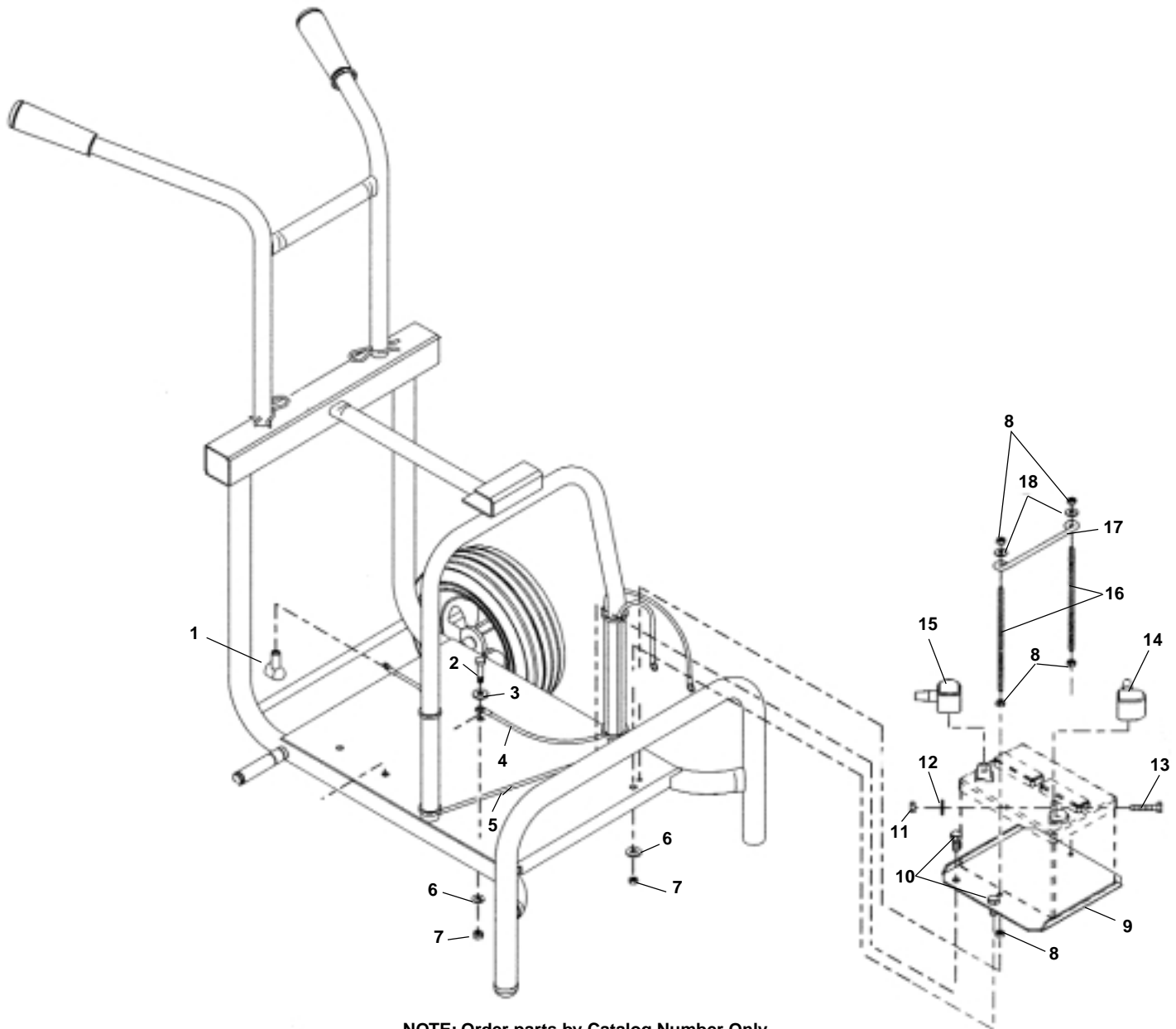
| Ref. No. | Catalog No. | Description  |
|----------|-------------|--|
| —        | 64862       | H-38 Hose Reel Assembly                                |
| 1        | 66022       | Hose Reel Stand  |
| 2        | 37962       | Rubber Tip (2)   |
| 3        | 60230       | Hex Nut $\frac{5}{16}$ " - 18 (4)                      |
| 4        | 60080       | Lock Washer $\frac{5}{16}$ " (4)                       |
| 5        | 48152       | Reducing Bushing $\frac{3}{8}$ " - $\frac{1}{4}$ " NPT |
| 6        | 66047       | Output Hose Assembly                                   |
| 7        | 48002       | Quick Connect - Male                                   |
| 8        | 43847       | Hex Screw $\frac{5}{16}$ " - 18 x $1\frac{1}{2}$ " (4) |
| 9        | 48022       | Hose Reel  |
| 10       | 35275       | Spring   |

**Reel Components**



| Ref. No. | Catalog No. | Description  |
|----------|-------------|--|
| —        | 48022       | Hose Reel COMPLETE                                       |
| 1        | 67677       | Reel Lock  |
| 2        | 67682       | Lock Nut   |
| 3        | 67687       | Sleeve   |
| 4        | 67692       | Reducer Bushing, $\frac{1}{2}$ " - $\frac{1}{4}$ " NPT M |
| 5        | 67697       | Swivel Connector   |
| 6        | 67702       | Service Kit, Swivel                                      |
| 7        | 85910       | Hex Screw, $\frac{5}{16}$ " - 18 x 1" (2)                |
| 8        | 67707       | Bearing Block, Plain                                     |
| 9        | 67712       | Bracket, Lock Side                                       |
| 10       | 75110       | Hex Nut, $\frac{5}{16}$ " - 18 (2)                       |
| 11       | 67717       | Spacer (2)   |
| 12       | 67722       | Spool  |
| 13       | 67727       | Bracket, Plain   |
| 14       | 67732       | Knob, Drag Brake   |
| 15       | 67737       | Crank  |
| 16       | 67742       | Bearing Block, Drag                                      |
| 17       | 67747       | Hex Screw, $\frac{5}{16}$ " - 18 x $3\frac{1}{2}$ "      |

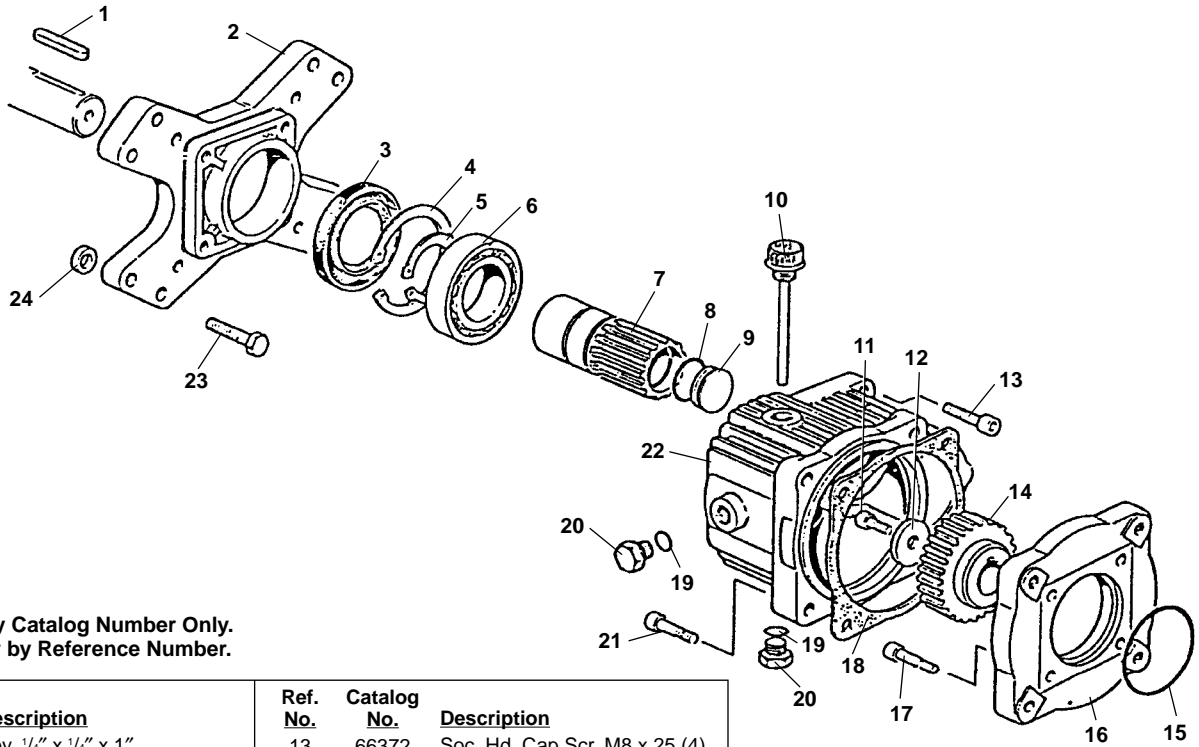
**Electric Start Components**



**NOTE: Order parts by Catalog Number Only.  
DO NOT order by Reference Number.**

| <b>Ref. No.</b> | <b>Catalog No.</b> | <b>Description</b>                                    |
|-----------------|--------------------|---|
| 1               | 66042              | Insulator Cap   |
| 2               | 43992              | Hex Screw $\frac{3}{16}$ " - 16 x 2" (2)              |
| 3               | 59970              | Flat Washer $\frac{3}{16}$ " (2)                      |
| 4               | 66082              | Battery Cable, Negative                               |
| 5               | 66087              | Battery Cable, Positive                               |
| 6               | 60085              | Lock Washer $\frac{3}{16}$ " (2)                      |
| 7               | 60395              | Hex Nut $\frac{3}{16}$ " - 16 (2)                     |
| 8               | 80370              | Hex Nut $\frac{1}{4}$ " - 20 (6)                      |
| 9               | 66072              | Battery Tray  |
| 10              | 45470              | Hex Screw $\frac{3}{16}$ " - 16 x 1" (2)              |
| 11              | 60230              | Hex Nut $\frac{5}{16}$ " - 18 (2)                     |
| 12              | 60080              | Lock Washer $\frac{5}{16}$ " (2)                      |
| 13              | 88045              | Hex Screw $\frac{5}{16}$ " - 18 x $\frac{7}{8}$ " (2) |
| 14              | 66067              | Terminal Insulator - Black                            |
| 15              | 66077              | Terminal Insulator - Red                              |
| 16              | 66062              | Tie Down Rod $\frac{1}{4}$ " - 20 (2)                 |
| 17              | 66057              | Battery Strap   |
| 18              | 84720              | Flat Washer $\frac{1}{4}$ " (2)                       |

**Gearbox**

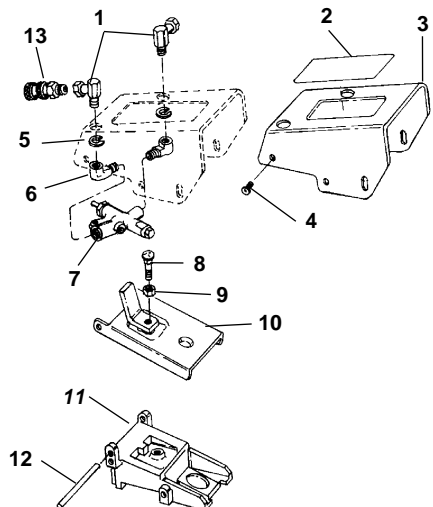


**NOTE: Order parts by Catalog Number Only.  
DO NOT order by Reference Number.**

| Ref. No. | Catalog No. | Description               | Ref. No. | Catalog No. | Description                       |
|----------|-------------|---------------------------|----------|-------------|-----------------------------------|
| 1        | 66107       | Key, 1/4" x 1/4" x 1"     | 13       | 66372       | Soc. Hd. Cap Scr. M8 x 25 (4)     |
| 2        | 66322       | Mounting Flange           | 14       | 66377       | Gear                              |
| 3        | 66327       | Shaft Seal                | 15       | 66382       | O-Ring                            |
| 4        | 66332       | Retaining Ring            | 16       | 66387       | Flange                            |
| 5        | 66337       | Retaining Ring            | 17       | 66392       | Soc. Hd. Cap Scr. M8 x 30 (4)     |
| 6        | 66342       | Ball Bearing              | 18       | 66397       | Gasket                            |
| 7        | 66347       | Gear Shaft                | 19       | 65357       | O-Ring (2)                        |
| 8        | 66352       | O-Ring                    | 20       | 65362       | Drain Plug (2)                    |
| 9        | 66357       | Plug                      | 21       | 66402       | Soc. Hd. Cap Scr. M10 x 25 (4)    |
| 10       | 66782       | Dipstick                  | 22       | 66407       | Housing                           |
| 11       | 66362       | Soc. Hd. Cap Scr. M6 x 28 | 23       | 75350       | Hex Screw, 3/8" - 16 x 1 1/4" (4) |
| 12       | 66367       | Washer                    | 24       | 66112       | Spacer, Gearbox Mount (4)         |

**FV-1 Foot Valve**

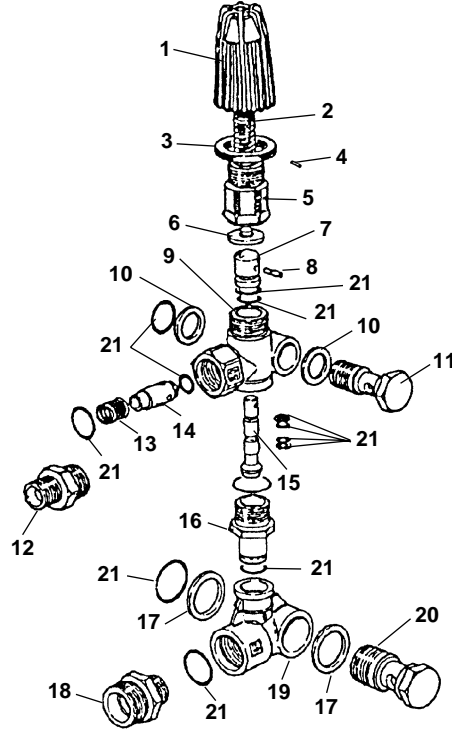
| Ref. No. | Catalog No. | Description                  |
|----------|-------------|------------------------------|
| —        | 48157       | Foot Valve Complete, FV-1    |
| 1        | 49787       | Elbow w/Swivel, 1/4" NPT (2) |
| 2        | 49777       | Decal, Model No.             |
| 3        | 49772       | Cover                        |
| 4        | 36787       | Screw, Self Tapping, #10 (4) |
| 5        | 49792       | Lock Washer 9/16" (2)        |
| 6        | 49797       | Street EL, 1/4" NPT(2)       |
| 7        | 49782       | Valve Assembly               |
| 8        | 49802       | Carriage Bolt, 1/4" NPT      |
| 9        | 47297       | Lock Nut, 1/4" - 20          |
| 10       | 49767       | Foot Pedal                   |
| 11       | 36737       | Base                         |
| 12       | 36747       | Pivot Pin                    |
| 13       | 48117       | Quick Connect - Female       |



### Unloader Valve - Early Style (Red Knob)

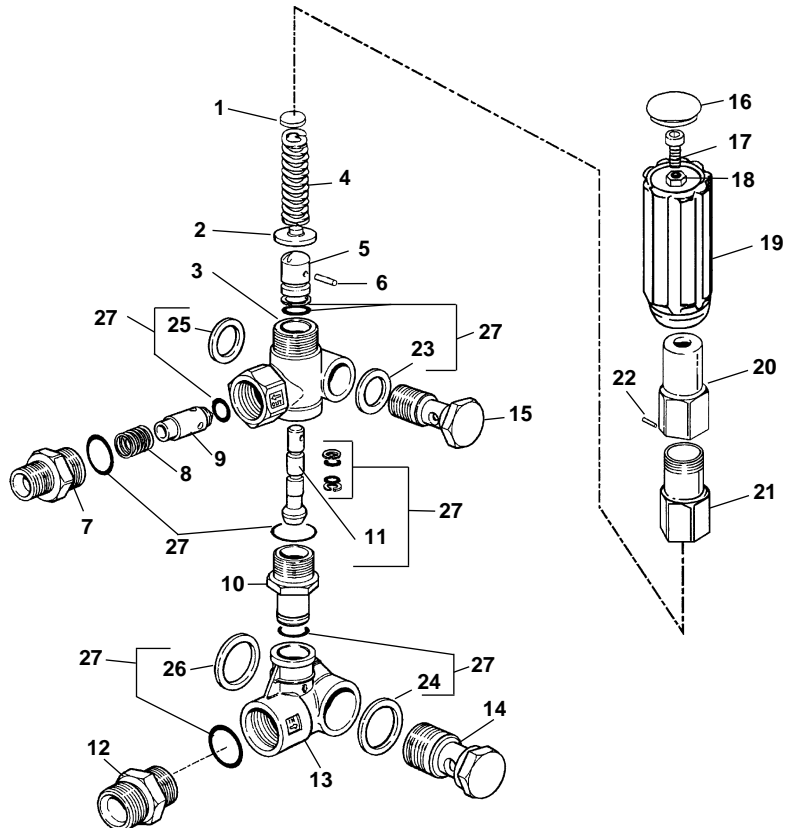
**NOTE: Order parts by Catalog Number Only.  
DO NOT order by Reference Number.**

| Ref. No. | Catalog No. | Description         |
|----------|-------------|---------------------|
| 1        | 64277       | Control Knob        |
| 2        | 64282       | Spring              |
| 3        | 64287       | Stop Ring           |
| 4        | 64292       | Set Screw           |
| 5        | 64297       | Spring Guide        |
| 6        | 64302       | Spring Button       |
| 7        | 64307       | Poppet              |
| 8        | 64312       | Pin                 |
| 9        | 64317       | Valve Body          |
| 10       | 64322       | Gasket (2)          |
| 11       | 64327       | Outlet Port Adapter |
| 12       | 64332       | Poppet Retainer     |
| 13       | 64337       | Spring              |
| 14       | 64342       | Poppet              |
| 15       | 64347       | Plunger             |
| 16       | 64352       | By-Pass Spring      |
| 17       | 64357       | Gasket              |
| 18       | 64362       | Inlet Adapter       |
| 19       | 64367       | By-Pass Adapter     |
| 20       | 64372       | Port Adapter        |
| 21       | 64377       | Seal Kit            |

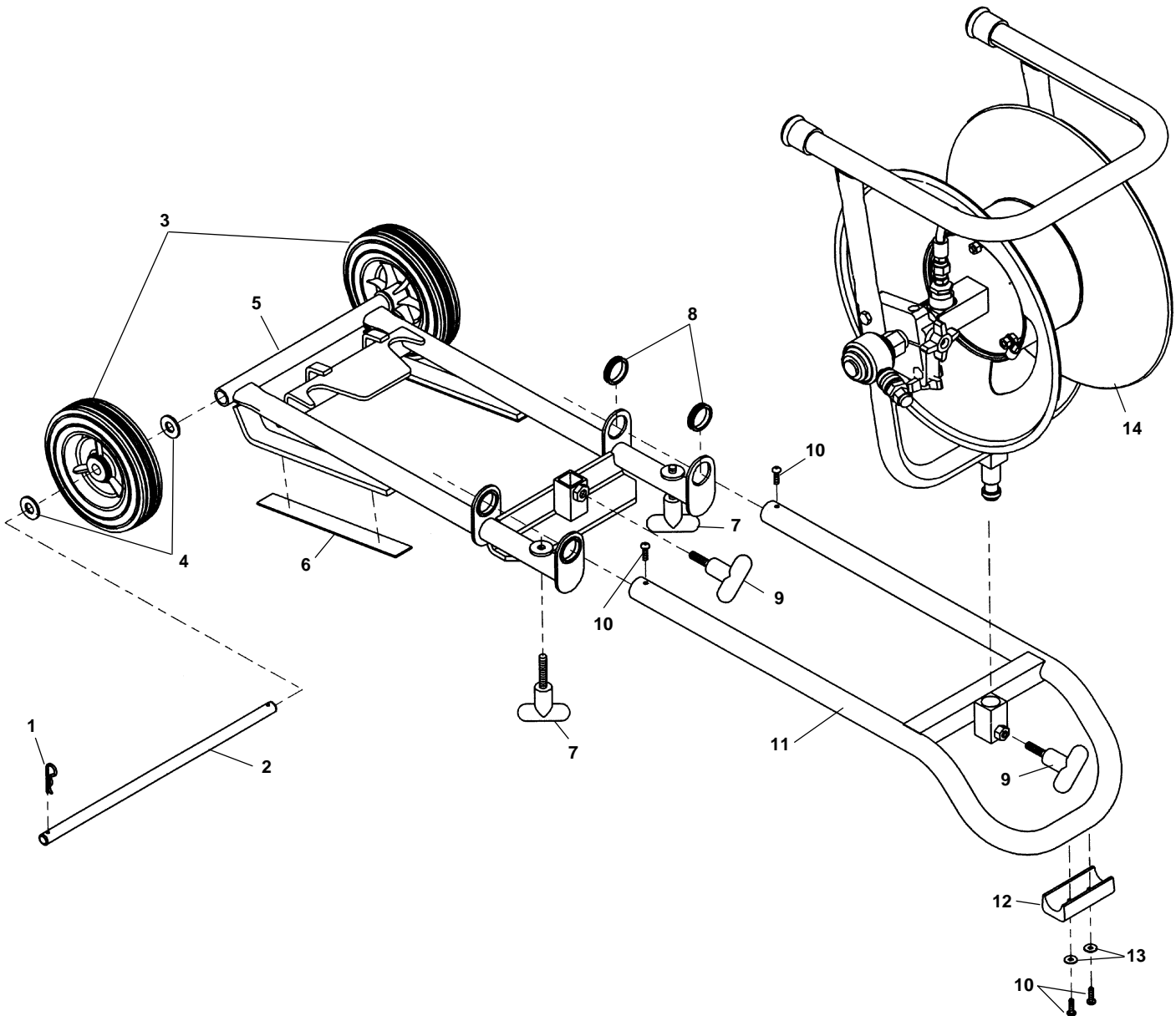


### Unloader Valve - (Black Knob)

| Ref. No. | Catalog No. | Description                          |
|----------|-------------|--------------------------------------|
| —        | 65202       | Unloader Valve Complete              |
| 1        | 85902       | Plate                                |
| 2        | 64302       | Spring Button                        |
| 3        | 64317       | Body                                 |
| 4        | 85897       | Spring                               |
| 5        | 64307       | Poppet                               |
| 6        | 64312       | Pin                                  |
| 7        | 64332       | Outlet Poppet Retainer               |
| 8        | 64337       | Spring                               |
| 9        | 64342       | Poppet                               |
| 10       | 64352       | By-Pass Seat                         |
| 11       | 64347       | Plunger                              |
| 12       | 64362       | Inlet Adapter                        |
| 13       | 64367       | Manifold                             |
| 14       | 64372       | Inlet Port Adapter                   |
| 15       | 64327       | Outlet Port Adapter                  |
| 16       | 85892       | Plug Cap                             |
| 17       | 32270       | Soc. Hd. Cap Screw 5/16" - 18 - 3/4" |
| 18       | 61115       | Hex Nut 5/16" x 18                   |
| 19       | 85887       | Control Knob (Black)                 |
| 20       | 85907       | Cap                                  |
| 21       | 85917       | Spring Guide                         |
| 22       | 85912       | Pin                                  |
| 23       | 64322       | Seal Washer                          |
| 24       | 64357       | Seal Washer                          |
| 25       | 85922       | Seal Washer                          |
| 26       | 85927       | Seal Washer                          |
| 27       | 85932       | Seal Kit                             |



**Cart with Hose Reel**



**NOTE: Order parts by Catalog Number Only.  
DO NOT order by Reference Number.**

| Ref. No. | Catalog No. | Description        | Ref. No. | Catalog No. | Description            |
|----------|-------------|--------------------|----------|-------------|------------------------|
| —*       | 64697       | H-10 Cart Assembly | 8        | 63987       | Bushing (4)            |
| 1        | 64382       | Hairpin Clip (2)   | 9        | 60622       | Knob, T-Handle         |
| 2        | 63997       | Axle               | 10       | 59990       | Screw                  |
| 3        | 64002       | Wheel              | 11       | 64012       | Cart Handle            |
| 4        | 60847       | Washer             | 12       | 64017       | Handle Foot            |
| 5        | 63982       | Cart Base          | 13       | 84720       | Washer                 |
| 6        | 63992       | Pad (2)            | 14       | 62882       | H-5 Hose Reel Assembly |
| 7        | 64007       | Knob, T-Handle     |          |             |                        |

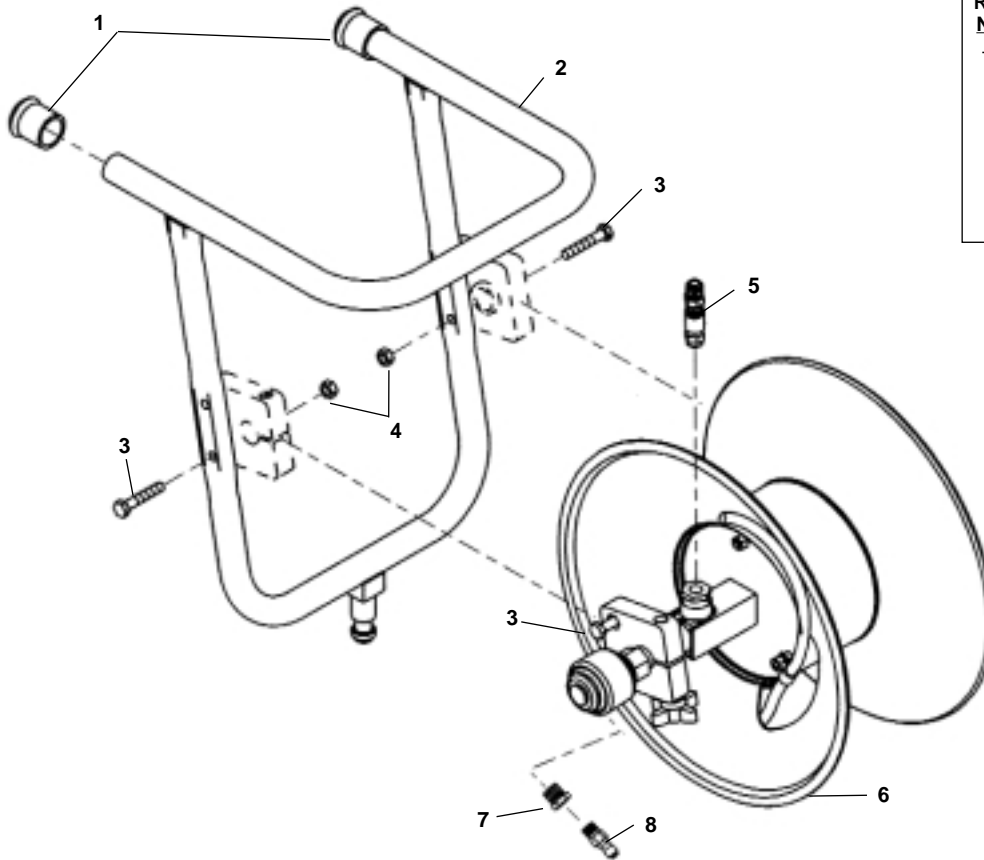
\* Requires the H-10A Adapter Kit, #62897, to mount the KJ-1750.



**H-5 Hose Reel Assembly**

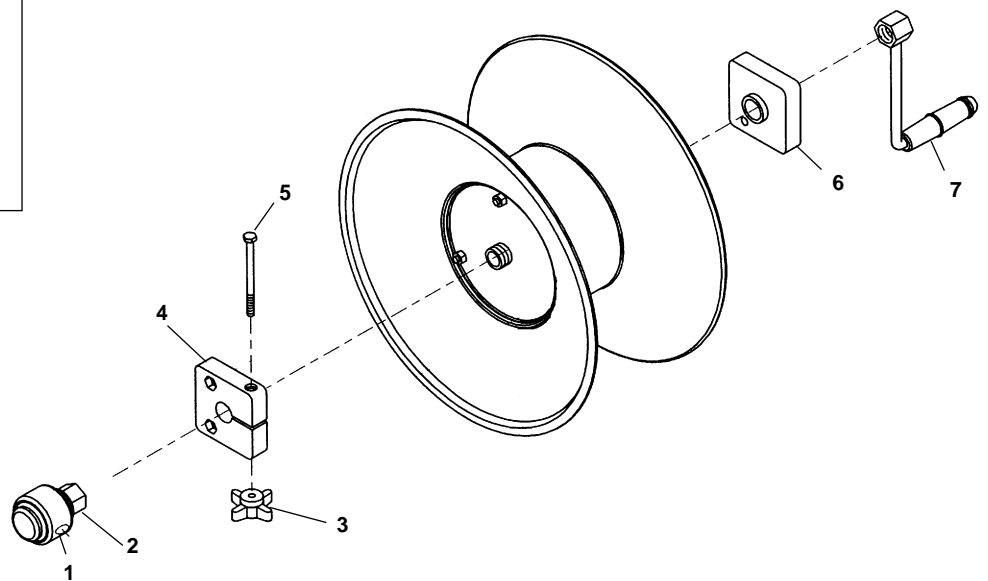
**NOTE: Order parts by Catalog Number Only.  
DO NOT order by Reference Number.**

| Ref. No. | Catalog No. | Description                    |
|----------|-------------|--------------------------------|
| —        | 62882       | H-5 Hose Reel Assembly         |
| 1        | 37962       | Rubber Foot                    |
| 2        | 64022       | Frame, Hose Reel               |
| 3        | 89870       | Hex Screw, 5/16" - 18 x 1 3/4" |
| 4        | 54672       | Hex Lock Nut, 5/16" - 18       |
| 5        | 64032       | Hex Nipple, 1/4"               |
| 6        | 64027       | Hose Reel COMPLETE             |
| 7        | 47987       | Reducer Bushing, 3/8M x 1/4F   |
| 8        | 48487       | Quick Connect, Male            |



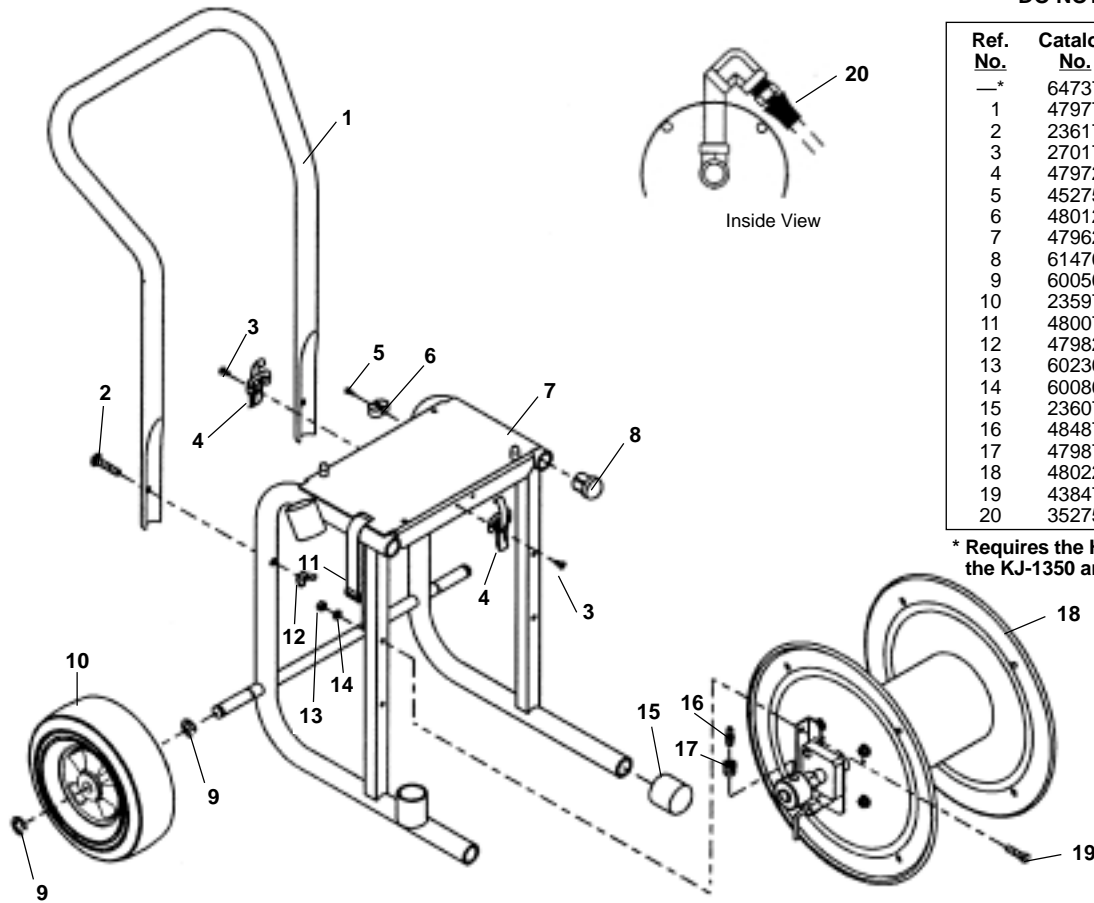
**Hose Reel Components**

| Ref. No. | Catalog No. | Description                    |
|----------|-------------|--------------------------------|
| —*       | 64027       | Hose Reel COMPLETE             |
| 1        | 67697       | Swivel Connector               |
| 2        | 67702       | Seal Kit, Swivel               |
| 3        | 67732       | Knob, Drag Brake               |
| 4        | 67742       | Bearing Block, Drag            |
| 5        | 67747       | Hex Screw, 5/16" - 18 x 3 1/2" |
| 6        | 67707       | Bearing Block, Plain           |
| 7        | 67737       | Crank                          |



**Cart with Hose Reel**

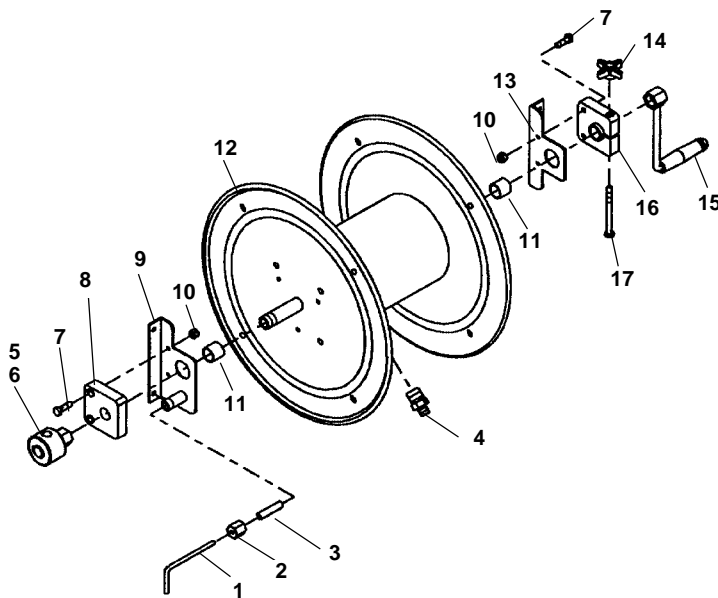
**NOTE: Order parts by Catalog Number Only.  
DO NOT order by Reference Number.**



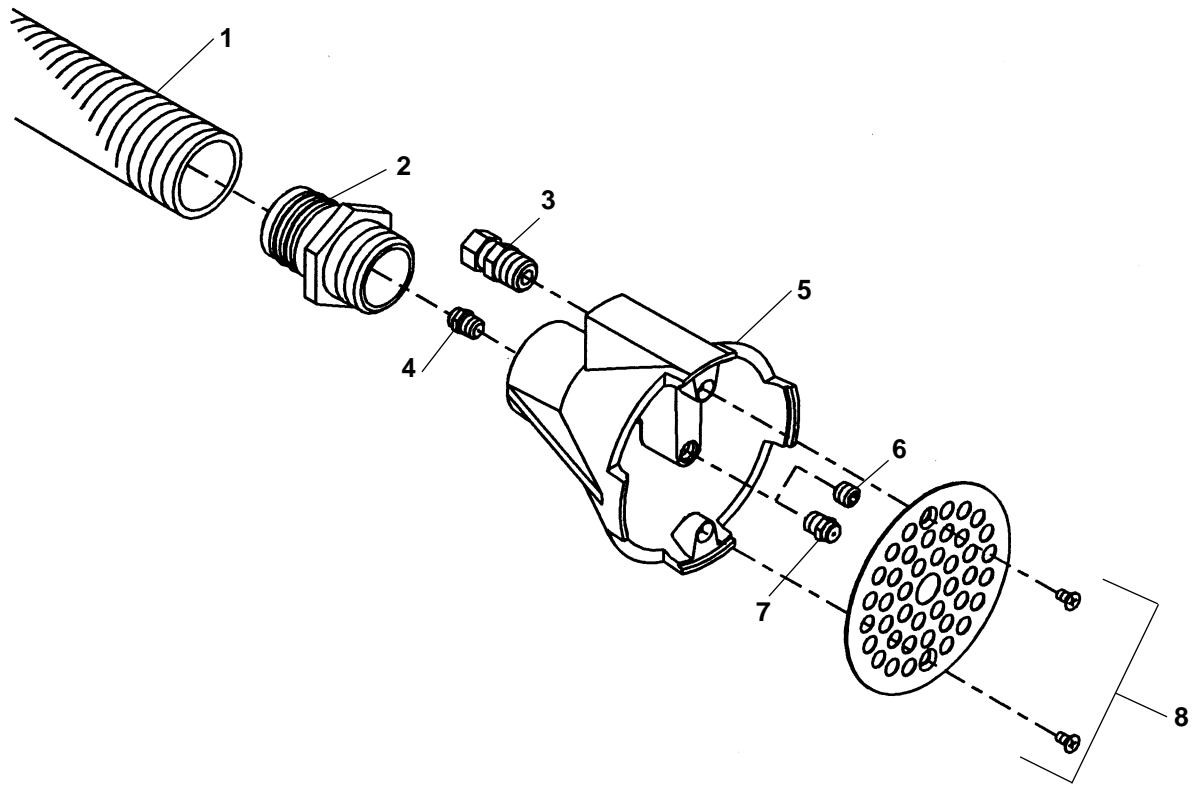
| Ref. No. | Catalog No. | Description                        |
|----------|-------------|------------------------------------|
| —*       | 64737       | H-30 Cart with Hose Reel           |
| 1        | 47977       | Cart Handle                        |
| 2        | 23617       | Carriage Bolt, 3/8" - 16 x 2" (2)  |
| 3        | 27017       | Screw, #12 - 24 x 5/8" (4)         |
| 4        | 47972       | Latch (2)                          |
| 5        | 45275       | Screw, #10 - 24 x 1/2"             |
| 6        | 48012       | Spring Clip                        |
| 7        | 47962       | Frame Weldment                     |
| 8        | 61470       | Rubber Plug                        |
| 9        | 60050       | Retaining Ring (4)                 |
| 10       | 23597       | Wheel (2)                          |
| 11       | 48007       | Cinch Strap                        |
| 12       | 47982       | Wing Nut, 3/8" (2)                 |
| 13       | 60230       | Hex Nut, 5/16" (4)                 |
| 14       | 60080       | Lock Washer 5/16" (4)              |
| 15       | 23607       | End Cap (2)                        |
| 16       | 48487       | Quick Connect, Male 1/4" NPT       |
| 17       | 47987       | Reducer Bushing, 3/2" - 1/4" NPT F |
| 18       | 48022       | Hose Reel Complete                 |
| 19       | 43847       | Hex Screw, 5/16" - 18 x 1 1/2" (4) |
| 20       | 35275       | Spring                             |

\* Requires the H-30A Adapter Kit, #62892, to mount the KJ-1350 and KJ-1750 Export Jettors.

**Reel Components**



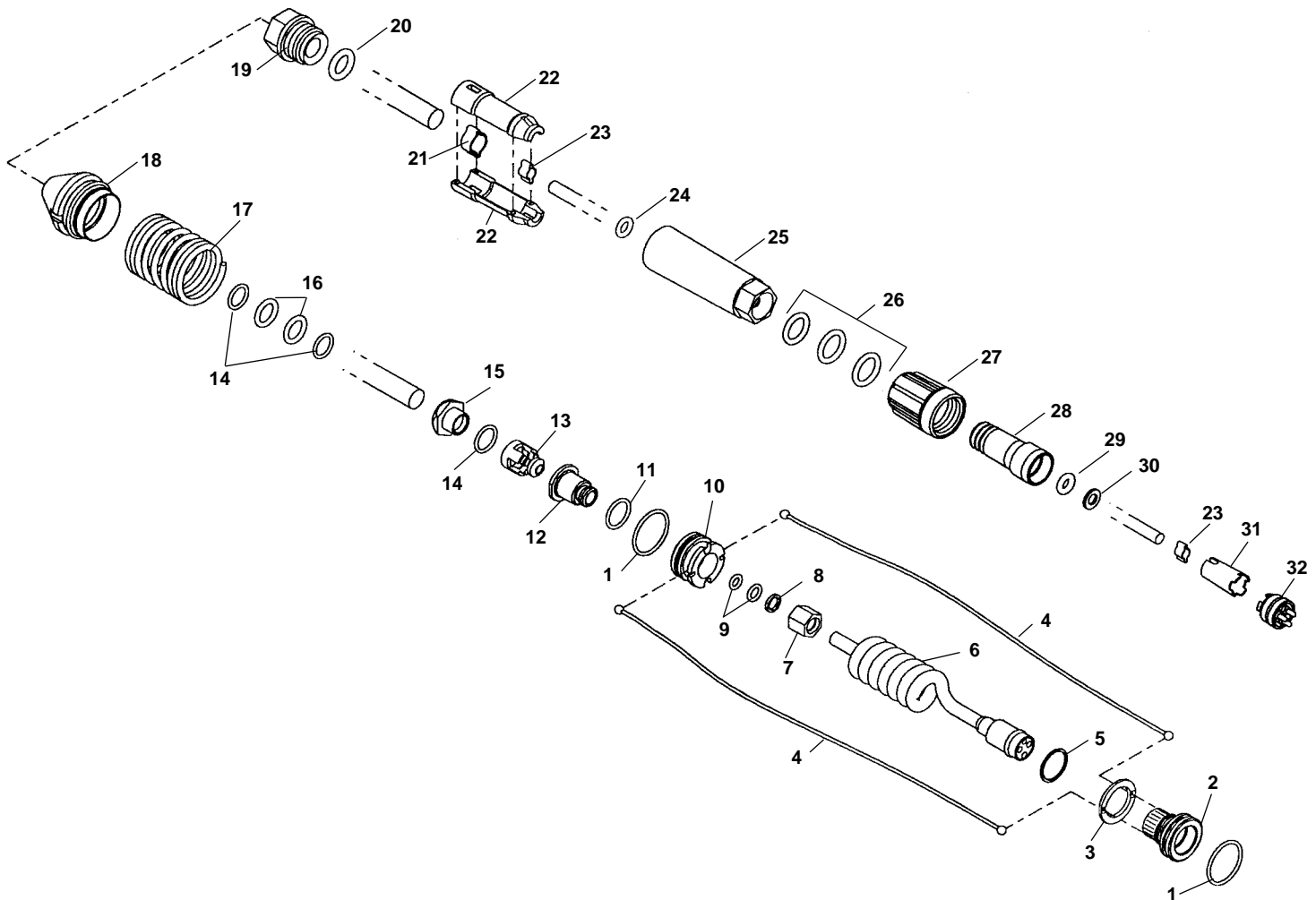
| Ref. No. | Catalog No. | Description                        |
|----------|-------------|------------------------------------|
| —        | 48022       | Hose Reel COMPLETE                 |
| 1        | 67677       | Reel Lock                          |
| 2        | 67682       | Lock Nut                           |
| 3        | 67687       | Sleeve                             |
| 4        | 67692       | Reducer Bushing, 1/2" - 1/4" NPT M |
| 5        | 67697       | Swivel Connector                   |
| 6        | 67702       | Service Kit, Swivel                |
| 7        | 85910       | Hex Screw, 5/16" - 18 x 1" (2)     |
| 8        | 67707       | Bearing Block, Plain               |
| 9        | 67712       | Bracket, Lock Side                 |
| 10       | 75110       | Hex Nut, 5/16" - 18 (2)            |
| 11       | 67717       | Spacer (2)                         |
| 12       | 67722       | Spool                              |
| 13       | 67727       | Bracket, Plain                     |
| 14       | 67732       | Knob, Drag Brake                   |
| 15       | 67737       | Crank                              |
| 16       | 67742       | Bearing Block, Drag                |
| 17       | 67747       | Hex Screw, 5/16" - 18 x 3 1/2"     |



**NOTE: Order parts by Catalog Number only.  
DO NOT order by Reference Number.**

| <u>Ref. No.</u> | <u>Catalog No.</u> | <u>Description</u>       |
|-----------------|--------------------|--------------------------|
| —               | 67187              | H-32 Jet Vac             |
| 1               | 73862              | Jet Vac Hose             |
| 2               | 73867              | Hose Barb                |
| 3               | 73872              | 1/4" Hose Connector      |
| 4               | 73877              | #3 Jet Vac Nozzle        |
| 5               | 73892              | Jet Vac Body             |
| 6               | 46815              | 1/8" NPT Pipe Plug       |
| 7               | 73882              | #2 Jet Vac Nozzle        |
| 8               | 73887              | Screen Assembly w/Screws |

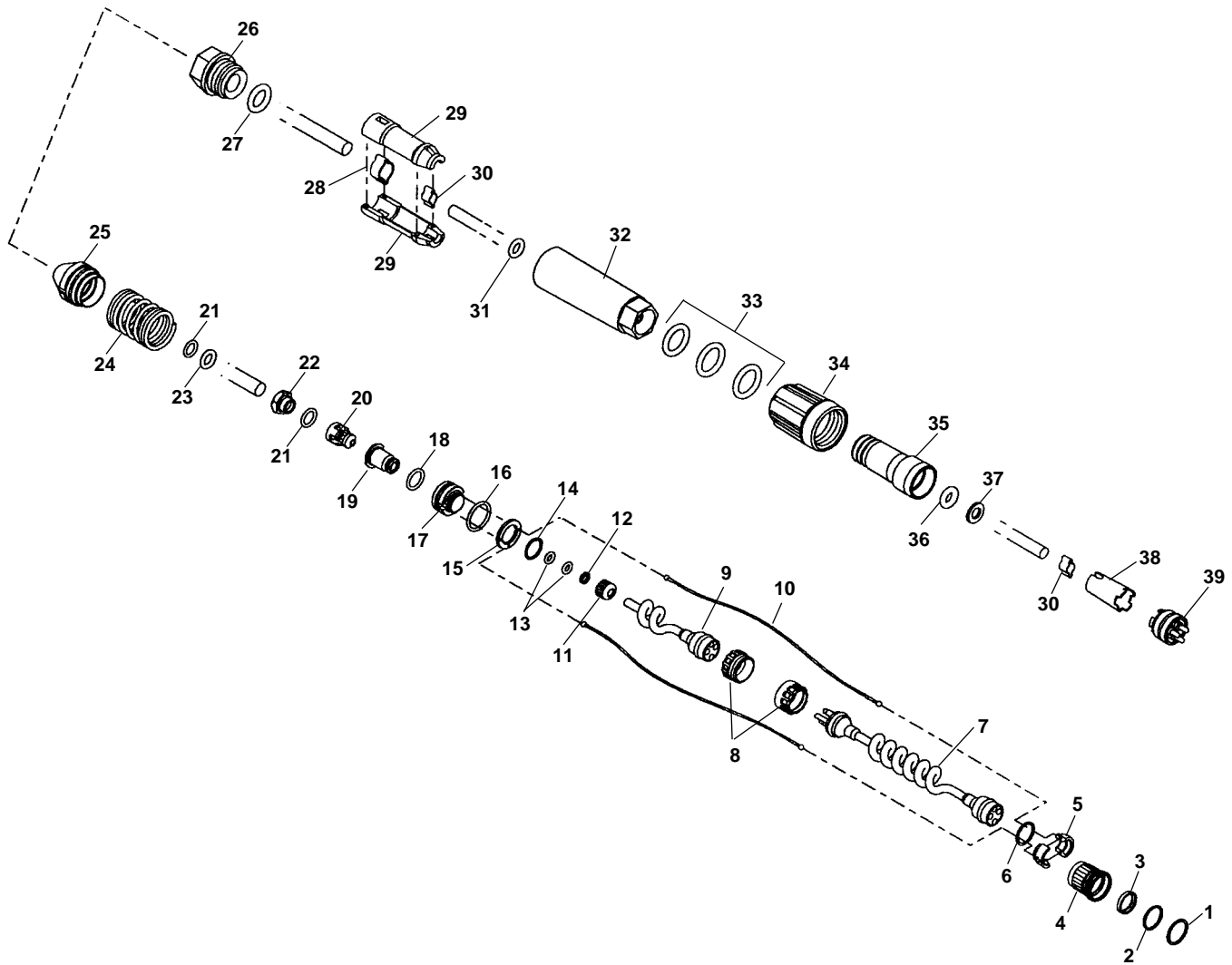
**Regular Push Cable**



**NOTE: Order parts by Catalog Number only.  
DO NOT order by Reference Number.**

| Ref. No. | Catalog No. | Description       | Ref. No. | Catalog No. | Description                     |
|----------|-------------|-------------------|----------|-------------|---------------------------------|
| 1        | 71482       | O-Ring (2)        | 19       | 71657       | Push Rod End Nut                |
| 2        | 71467       | Locking Sleeve    | 20       | 71677       | O-Ring                          |
| 3        | 71477       | Safe Ring         | 21       | 71667       | Clamp                           |
| 4        | 71247       | Safety Cable (2)  | 22       | 71652       | Inner Clam Shell (2)            |
| 5        | 71472       | Back Up Ring      | 23       | 71607       | Clamp (2)                       |
| 6        | 71297       | Camera Whip       | 24       | 71672       | O-Ring                          |
| 7        | 71287       | Compression Nut   | 25       | 71662       | Main Shell                      |
| 8        | 71272       | Back Up Ring      | 26       | 71582       | O-Ring (3)                      |
| 9        | 71277       | O-Ring            | 27       | 71602       | Locking Sleeve                  |
| 10       | 71292       | Spring Sleeve Cap | 28       | 71592       | In Line Shell                   |
| 11       | 71487       | O-Ring            | 29       | 71577       | O-Ring                          |
| 12       | 71502       | Wire Sleeve       | 30       | 71587       | Washer                          |
| 13       | 71507       | Push Nut          | 31       | 71597       | Internal Back Shell             |
| 14       | 71512       | O-Ring (2)        | 32       | 71612       | Male Insert Assembly            |
| 15       | 71282       | Push Nut          | 33       | 62032       | Wet End Retermination Kit       |
| 16       | 71517       | O-Ring (2)        |          |             | Includes Ref. No. 1, 11, 13,14, |
| 17       | 69987       | Spring Assembly   | 34       | 66802       | Dry End Reterm Kit Incl.        |
| 18       | 71302       | Rear Spring Shell |          |             |                                 |

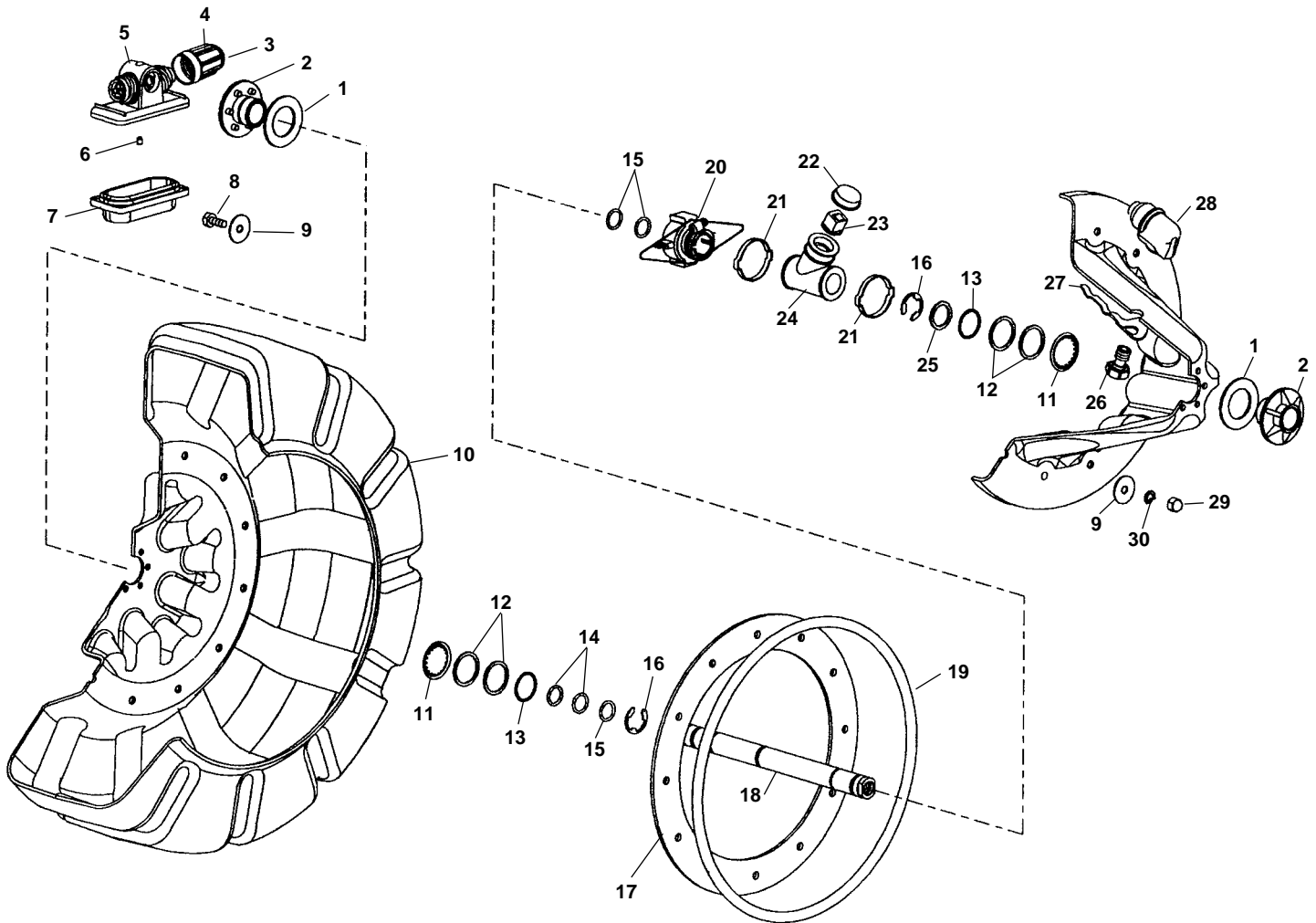
**Mini Push Cable**



**NOTE: Order parts by Catalog Number only.  
DO NOT order by Reference Number.**

| Ref. No. | Catalog No. | Description                 | Ref. No. | Catalog No. | Description                      |
|----------|-------------|-----------------------------|----------|-------------|----------------------------------|
| 1        | 71012       | Retaining Ring              | 23       | 71227       | O-Ring                           |
| 2        | 71007       | Locking Sleeve Front Washer | 24       | 70037       | Spring Assembly - Mini           |
| 3        | 71017       | Locking Sleeve Rear Washer  | 25       | 71047       | Rear Spring Shell                |
| 4        | 71022       | Conn. Locking Sleeve        | 26       | 71657       | Push Rod End Nut                 |
| 5        | 71027       | Conn. Split Insert          | 27       | 71677       | O-Ring                           |
| 6        | 71002       | Retaining Ring              | 28       | 71667       | Clamp                            |
| 7        | 70982       | Mini Coil Cord Assembly     | 29       | 71652       | Inner Clam Shell (2)             |
| 8        | 84502       | Locking Sleeves (Set of 4)  | 30       | 71607       | Clamp (2)                        |
| 9        | 70987       | Short Coil Cord Assembly    | 31       | 71672       | O-Ring                           |
| 10       | 70992       | Safety Cable - Mini (2)     | 32       | 71662       | Main Shell                       |
| 11       | 71067       | Compression Nut - Mini      | 33       | 71582       | O-Ring (3)                       |
| 12       | 71032       | Teflon Back Up              | 34       | 71602       | Locking Sleeve                   |
| 13       | 71037       | O-Ring (2)                  | 35       | 71592       | In Line Shell                    |
| 14       | 71237       | Retaining Ring              | 36       | 71577       | O-Ring                           |
| 15       | 71062       | Cable Retainer - Mini       | 37       | 71587       | O-Ring                           |
| 16       | 71242       | O-Ring                      | 38       | 71597       | Internal Back Shell              |
| 17       | 71057       | Spring Cap                  | 39       | 71612       | Male Insert Assembly             |
| 18       | 71232       | O-Ring                      | 40       | 71212       | Mini Retermination Kit           |
| 19       | 71052       | Wire Sleeve - Mini          |          | 15808       | Mini Red Cable Retermination Kit |
| 20       | 71217       | Mini Push Bond              | 41       | 66802       | Dry End Retermination Kit        |
| 21       | 71222       | O-Ring (2)                  |          |             |                                  |
| 22       | 70997       | Mini Push Nut               |          |             |                                  |

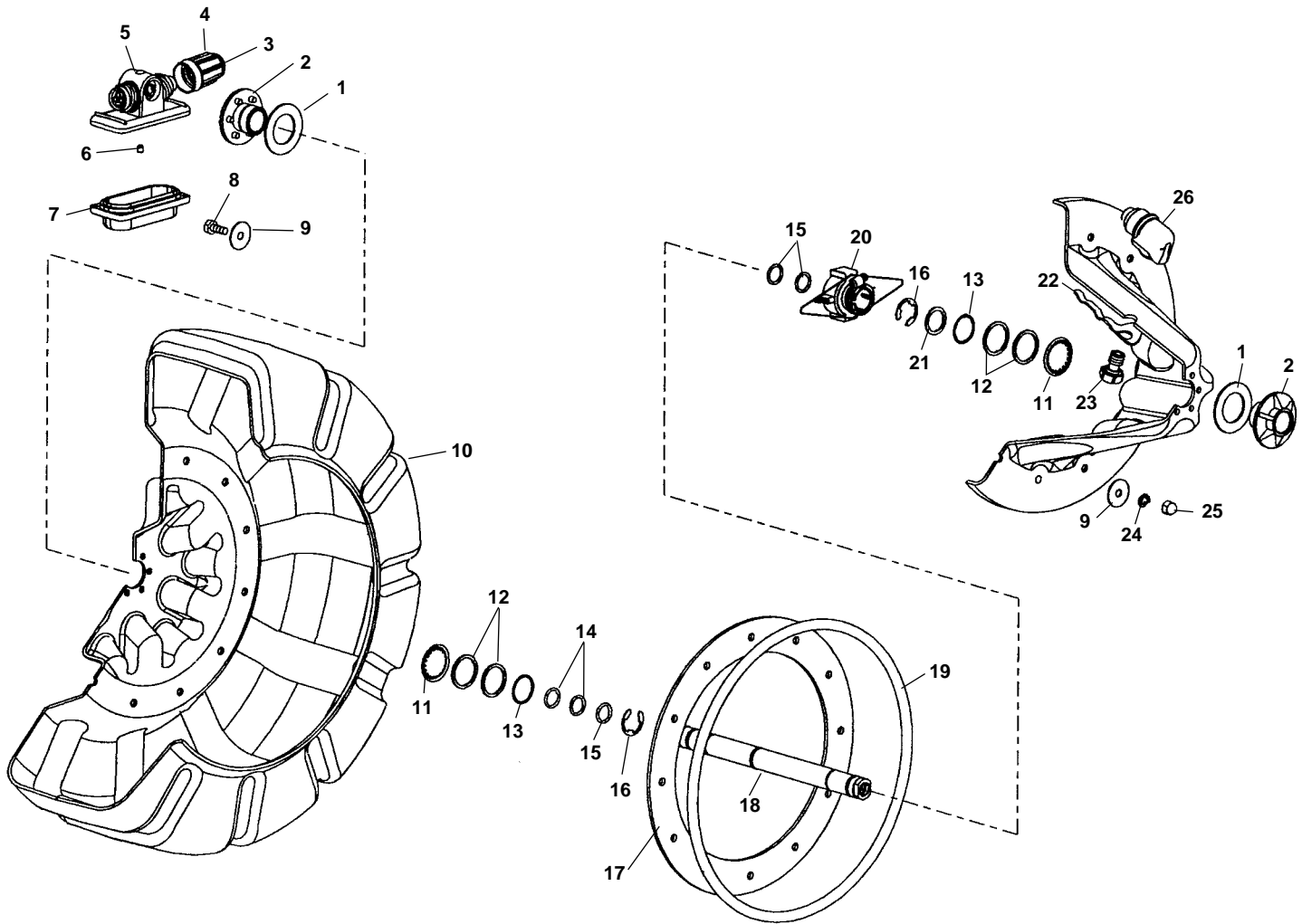
**Regular Reel Assembly**



**NOTE: Order parts by Catalog Number only.  
DO NOT order by Reference Number.**

| Ref. No. | Catalog No. | Description                   | Ref. No. | Catalog No. | Description             |
|----------|-------------|-------------------------------|----------|-------------|-------------------------|
| 1        | 71557       | Axle Gasket (2)               | 16       | 71102       | Retaining Ring (2)      |
| 2        | 71552       | Axle Bushing (2)              | 17       | 71542       | Gasket Reg. System      |
| 3        | 71202       | Dust Cover for Locking Sleeve | 18       | 71567       | Reel Axle               |
| 4        | 71172       | Locking Sleeve                | 19       | 71547       | Cone O-Ring             |
| 5        | 71167       | Hub Assembly                  | 20       | 71537       | Slip Ring Assembly      |
| 6        | 71162       | Screw                         | 21       | 71492       | Clamp 2-Ear (2)         |
| 7        | 71157       | Hub Bottom                    | 22       | 71532       | Acrylic Widow           |
| 8        | 71572       | Screw (12)                    | 23       | 71527       | IR Receiver             |
| 9        | 71192       | Washer (24)                   | 24       | 71522       | IR Receiver Housing     |
| 10       | 71987       | Reel Assembly                 | 25       | 68267       | Nylon Washer            |
| 11       | 71087       | Retaining Ring (2)            | 26       | 71107       | Bolt RA Welded Bulkhead |
| 12       | 71092       | Nylon Washer (4)              | 27       | 71117       | Wire Clip               |
| 13       | 71097       | Retaining Ring (2)            | 28       | 71112       | Bulkhead Assembly       |
| 14       | 71132       | O-Ring (2)                    | 29       | 71182       | Nut (2)                 |
| 15       | 71127       | O-Ring (3)                    | 30       | 71187       | Lock Washer (12)        |

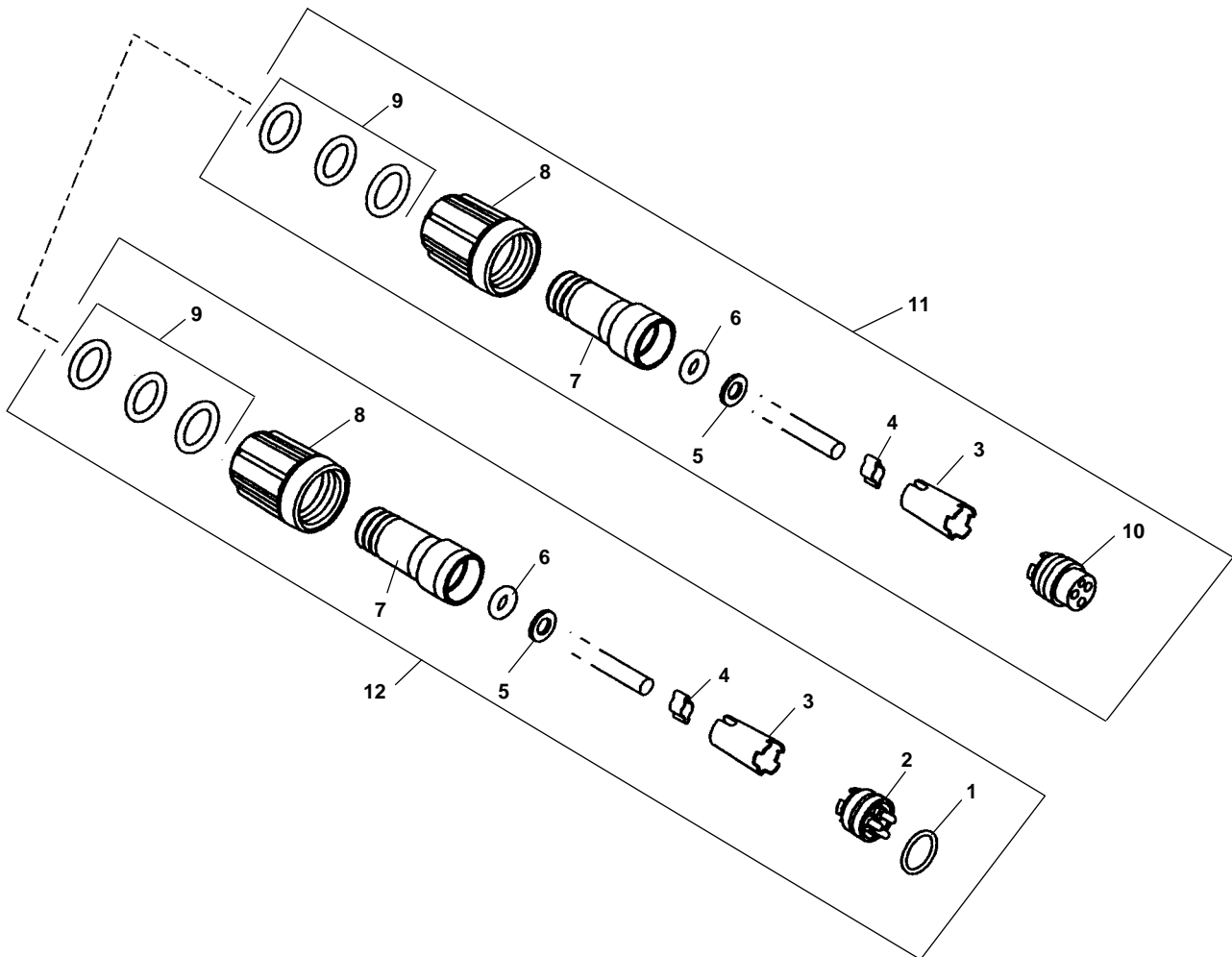
**Mini Reel Assembly**



**NOTE: Order parts by Catalog Number only.  
DO NOT order by Reference Number.**

| Ref. No. | Catalog No. | Description                   | Ref. No. | Catalog No. | Description             |
|----------|-------------|-------------------------------|----------|-------------|-------------------------|
| 1        | 71557       | Axle Gasket (2)               | 14       | 71132       | O-Ring (2)              |
| 2        | 71552       | Axle Bushing (2)              | 15       | 71127       | O-Ring (3)              |
| 3        | 71202       | Dust Cover for Locking Sleeve | 16       | 71102       | Retaining Ring (2)      |
| 4        | 71172       | Locking Sleeve                | 17       | 71142       | Gasket                  |
| 5        | 71167       | Hub Assembly                  | 18       | 71082       | Reel Axle               |
| 6        | 71162       | Set Screw                     | 19       | 71147       | Cone O-Ring             |
| 7        | 71157       | Hub Bottom Mini               | 20       | 71137       | Slip Ring               |
| 8        | 71152       | Screw (12)                    | 21       | 71092       | Nylon Washer            |
| 9        | 71192       | Washer (24)                   | 22       | 71117       | Wire Clip               |
| 10       | 71177       | Reel Assembly                 | 23       | 71107       | Bolt RA Welded Bulkhead |
| 11       | 71087       | Retaining Ring (2)            | 24       | 71187       | Washer (12)             |
| 12       | 71092       | Nylon Washer (4)              | 25       | 71182       | Nut (12)                |
| 13       | 71097       | Retaining Ring (2)            | 26       | 71112       | Bulkhead Assembly       |

**Interconnect Cord**

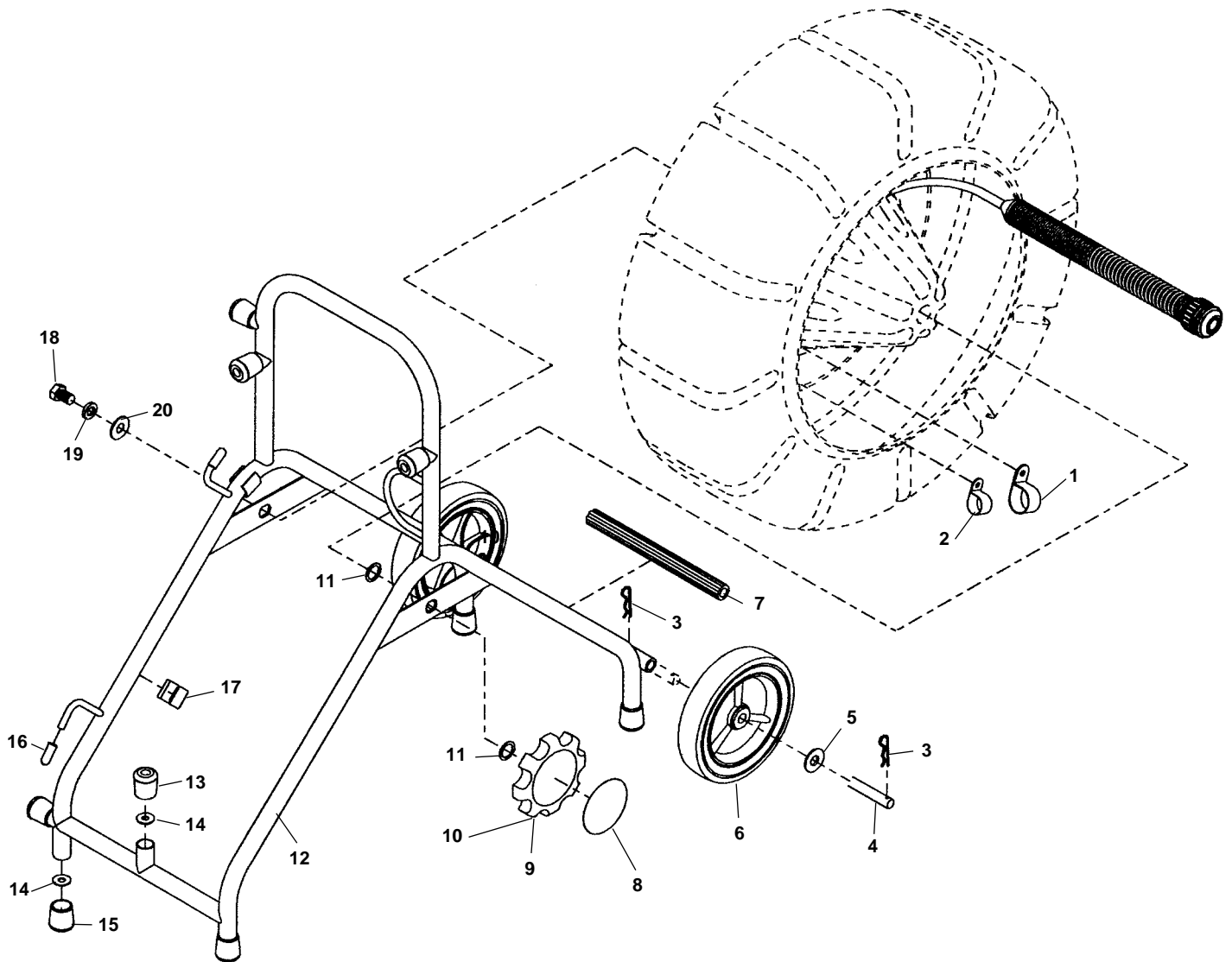


**NOTE: Order parts by Catalog Number only.  
DO NOT order by Reference Number.**

| Ref. No. | Catalog No. | Description                     | Ref. No. | Catalog No. | Description               |
|----------|-------------|---------------------------------|----------|-------------|---------------------------|
| —        | 64627       | Interconnect Cord 33'           | 6        | 71577       | O-Ring (2)                |
| —        | 67307       | Interconnect Cord 10'           | 7        | 71592       | In line Shell (2)         |
| —        | 70907       | Old Style Interconnect Cord 33' | 8        | 71602       | Locking Sleeve (2)        |
| 1        | 71487       | O-Ring                          | 9        | 71582       | O-Rings (6)               |
| 2        | 71612       | Male Insert                     | 10       | 71617       | Female Insert             |
| 3        | 71597       | Internal Back Shell (2)         | 11       | 72817       | Female Connector Assembly |
| 4        | 71607       | Clamp (2)                       | 12       | 72822       | Male Connector Assembly   |
| 5        | 71587       | Washer (2)                      |          |             |                           |



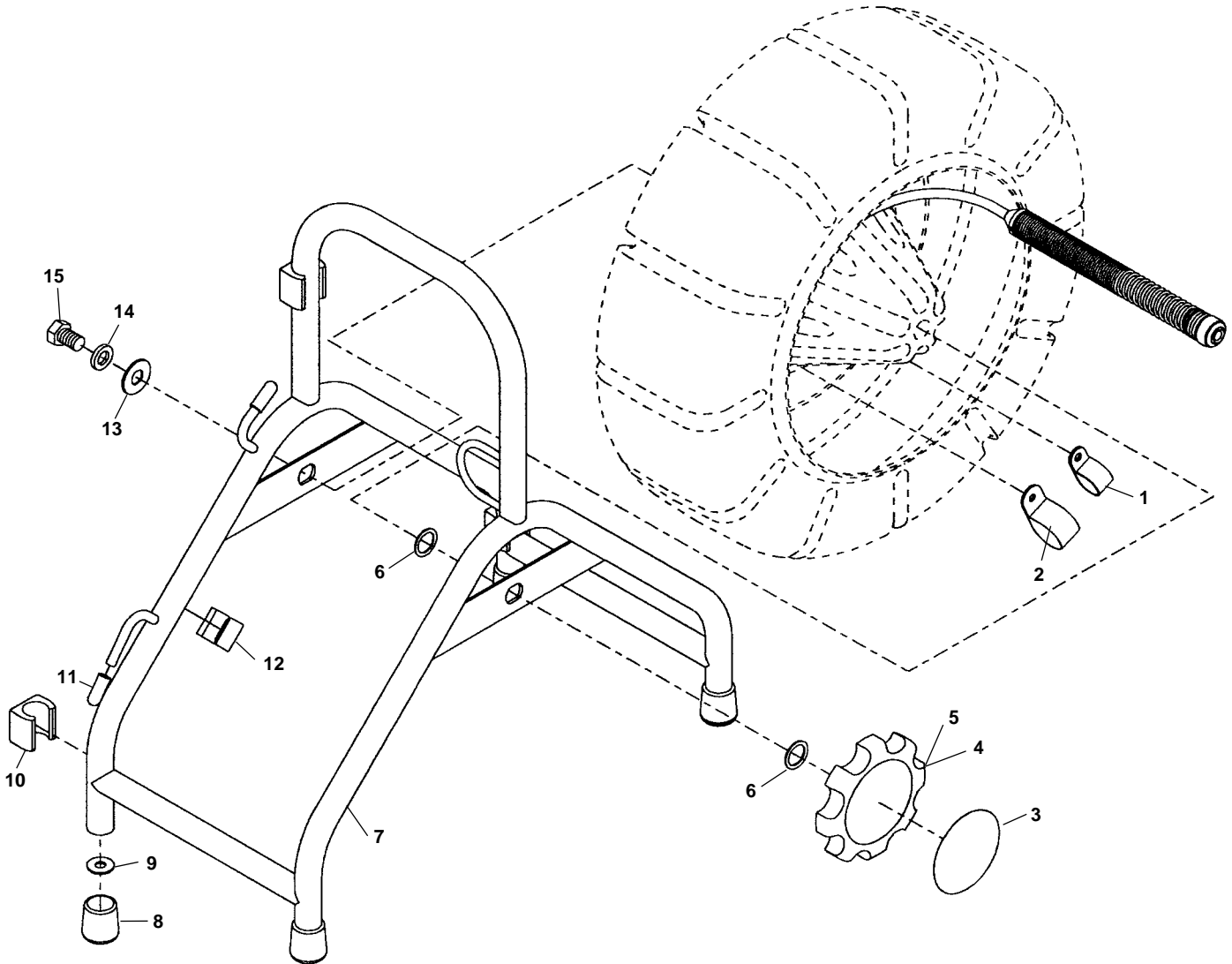
**Regular Frame Assembly**



**NOTE: Order parts by Catalog Number only.  
DO NOT order by Reference Number.**

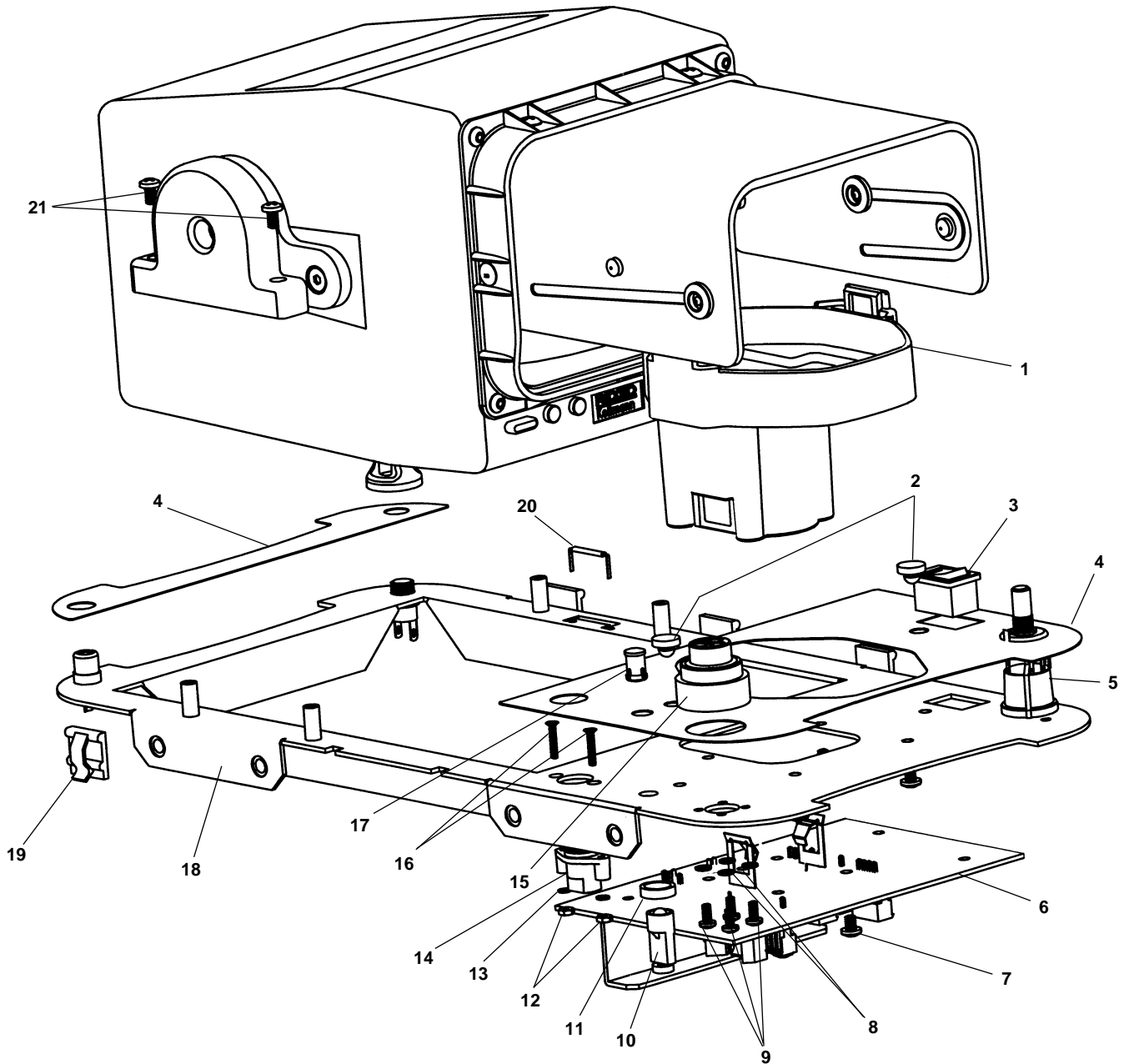
| Ref. No. | Catalog No. | Description            | Ref. No. | Catalog No. | Description        |
|----------|-------------|------------------------|----------|-------------|--------------------|
| 1        | 71262       | 1/2" Dry Clamp         | 11       | 68267       | Nylon Washer (2)   |
| 2        | 71267       | 7/8" Dry Clamp         | 12       | 66797       | Frame              |
| 3        | 68257       | Axle Pin               | 13       | 72542       | Rubber Cap (3)     |
| 4        | 68247       | Axle                   | 14       | 72537       | Back Up Washer (7) |
| 5        | 68267       | Nylon Washer           | 15       | 70042       | Rubber Foot (7)    |
| 6        | 68242       | Wheel for SeeSnake (2) | 16       | 72562       | End Cap (2)        |
| 7        | 68252       | Axle Spacer            | 17       | 72532       | Wire Clip (2)      |
| 8        | 71207       | Decal for Tension Knob | 18       | 72547       | Rear Mount Bolt    |
| 9        | 68262       | Tension Knob           | 19       | 72522       | Lock Washer        |
| 10       | 72517       | Bolt for Tension Knob  | 20       | 72527       | Flat Washer        |

**Mini Frame Assembly**



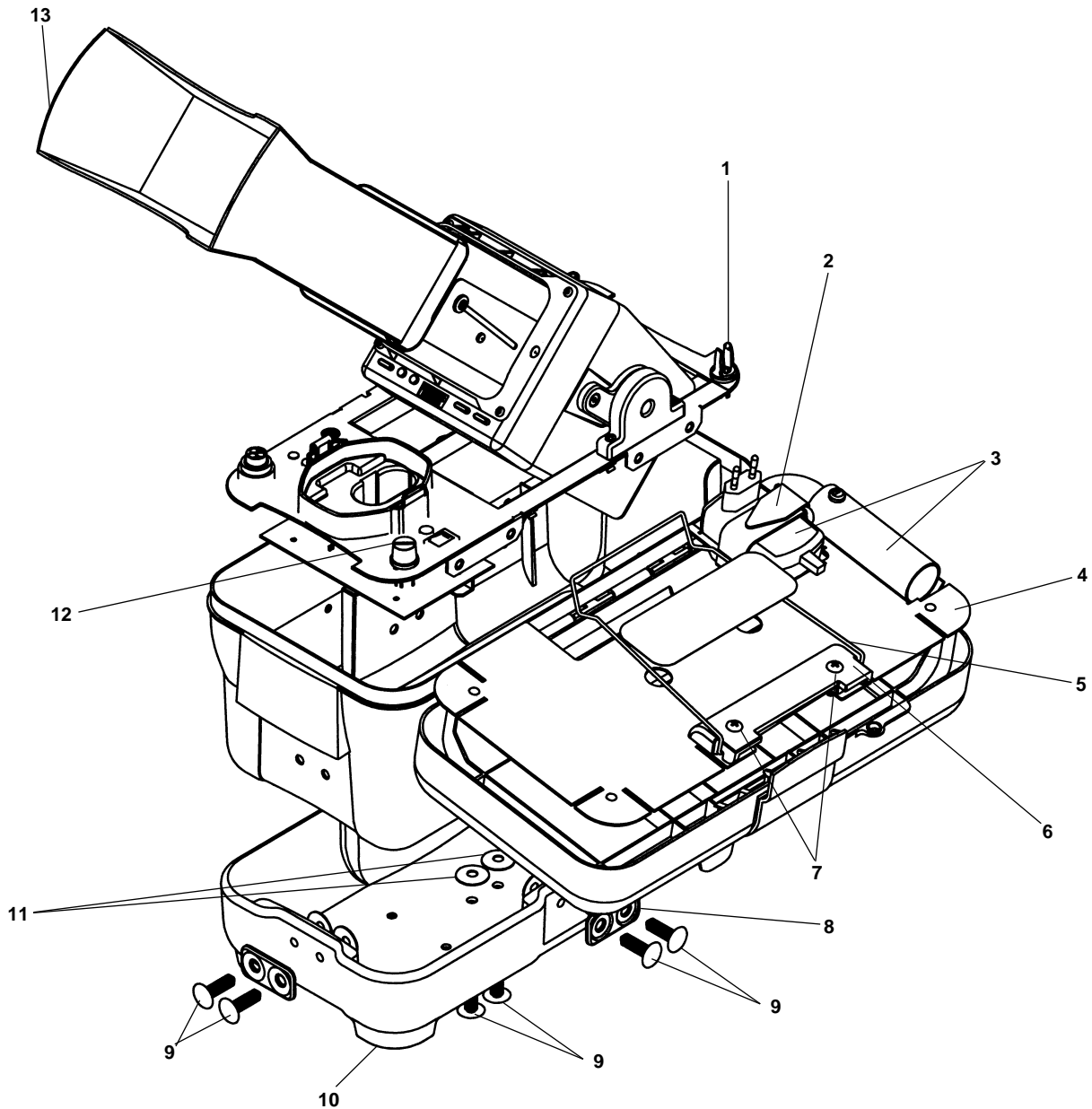
**NOTE: Order parts by Catalog Number only.  
DO NOT order by Reference Number.**

| Ref. No. | Catalog No. | Description            | Ref. No. | Catalog No. | Description        |
|----------|-------------|------------------------|----------|-------------|--------------------|
| 1        | 71262       | 1/2" Dry Clamp         | 9        | 72537       | Back Up Washer (4) |
| 2        | 71267       | 3/8" Dry Clamp         | 10       | 72557       | Frame Bumper (3)   |
| 3        | 71207       | Decal for Tension Knob | 11       | 72562       | Rubber End Cap (2) |
| 4        | 68262       | Tension Knob           | 12       | 72532       | Wire Clip          |
| 5        | 72517       | Bolt for Tension Knob  | 13       | 72527       | Flat Washer        |
| 6        | 68267       | Nylon Washer (2)       | 14       | 72522       | Lock Washer        |
| 7        | 71647       | Frame - Mini           | 15       | 72547       | Rear Mount Bolt    |
| 8        | 70042       | Rubber Foot (4)        |          |             |                    |



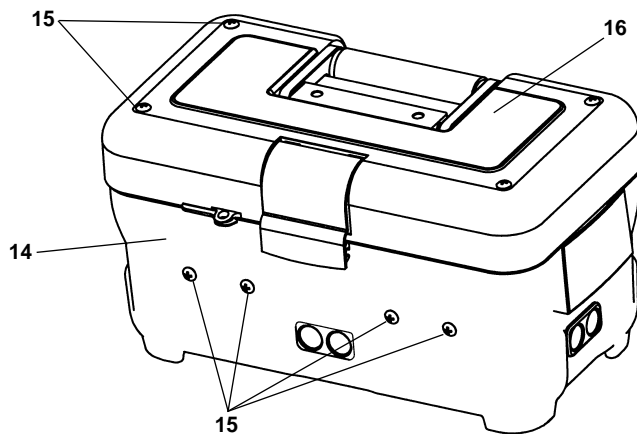
**NOTE: Order parts by Catalog Number only.  
DO NOT order by Reference Number.**

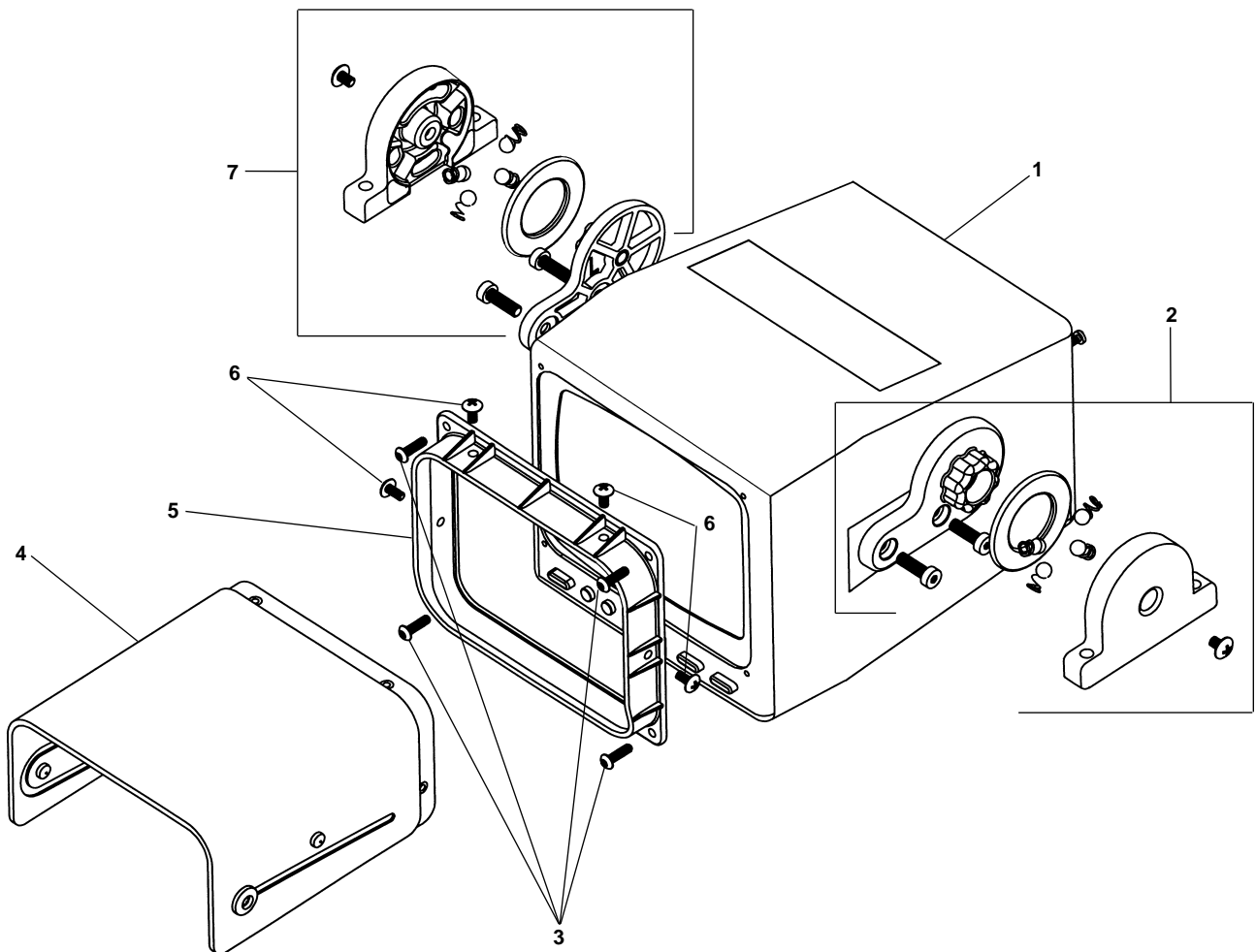
| Ref. No. | Catalog No. | Description                     | Ref. No. | Catalog No. | Description                    |
|----------|-------------|---------------------------------|----------|-------------|--------------------------------|
| 1        | 83387       | Battery Socket Assembly         | 12       | 88087       | Nut (2)                        |
| 2        | 88057       | Rubber Button (2)               | 13       | 88082       | Split Lock Washer (2)          |
| 3        | 86057       | Switch Assembly                 | 14       | 88172       | Auxilliary Connector           |
| 4        | 88022       | Base Panel Label Set            | 15       | 77307       | Interconnect Bulkhead          |
| 5        | 87157       | Dimmer Control Switch           | 16       | 88077       | 2-56 x 1/2" Screw (2)          |
| 6        | 88072       | Circuit Board Assembly          | 17       | 88042       | Lens Cap                       |
| 7        | 88092       | 6-32 x 3/16" Phillips Screw (8) | 18       | 88027       | Base Panel                     |
| 8        | 88047       | Split Lock Washer (4)           | 19       | 87247       | Adhesive Wire Clip (6)         |
| 9        | 88052       | #4 - 40 x 1/4" Screw (4)        | 20       | 88992       | Reed Switch Assembly           |
| 10       | 88032       | Low Battery LED Assembly        | 21       | 92002       | 6-32 x 1/4" Phillips Screw (4) |
| 11       | 88037       | Ring Spacer                     |          |             |                                |



**NOTE: Order parts by Catalog Number only.  
DO NOT order by Reference Number.**

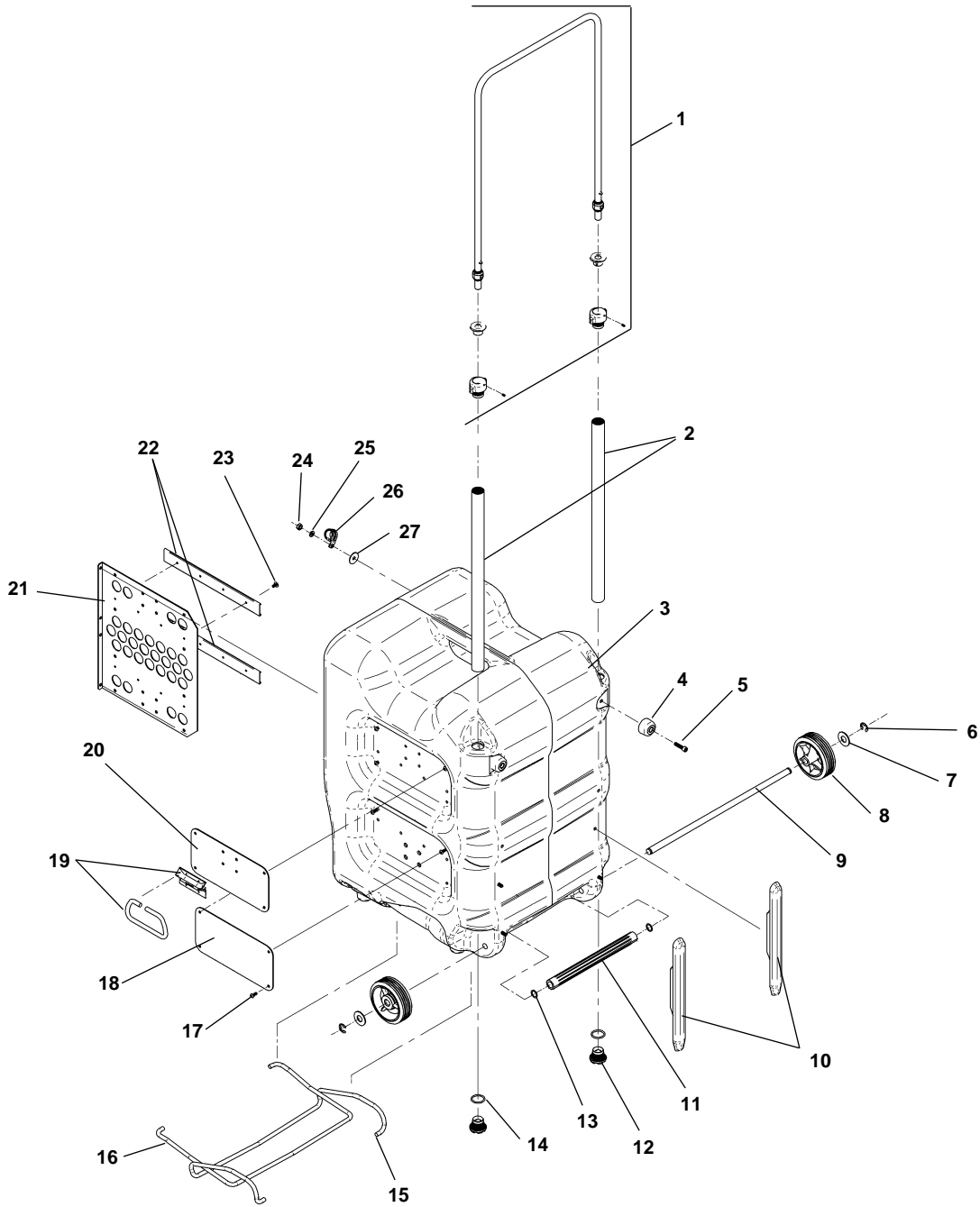
| Ref. No. | Catalog No. | Description                            |
|----------|-------------|--|
| 1        | 88062       | Cord Lock                              |
| 2        | 88152       | Velcro Hook/Loop                       |
| 3        | 76882       | Power Supply 115V (Includes Cord Tube) |
|          | 76887       | Power Supply 230V (Includes Cord Tube) |
| 4        | 88007       | Lid Plate                              |
| 5        | 88147       | Sun Boot Retainer                      |
| 6        | 88142       | Sun Boot Retainer Cover                |
| 7        | 88162       | 10-32 x 1" Machine Screw (2)           |
| 8        | 87992       | Rivet Plate (5)                        |
| 9        | 87987       | Rivet (10)                             |
| 10       | 88002       | Toolbox Case                           |
| 11       | 87997       | Concave Washer (10)                    |
| 12       | 87152       | Knob w/Set Screw                       |
| 13       | 77302       | Sunboot                                |
| 14       | 88012       | Toolbox Only                           |
| 15       | 87982       | 10-32 x 1/4" Mach Screw (2)            |
| 16       | 88017       | Toolbox Label                          |





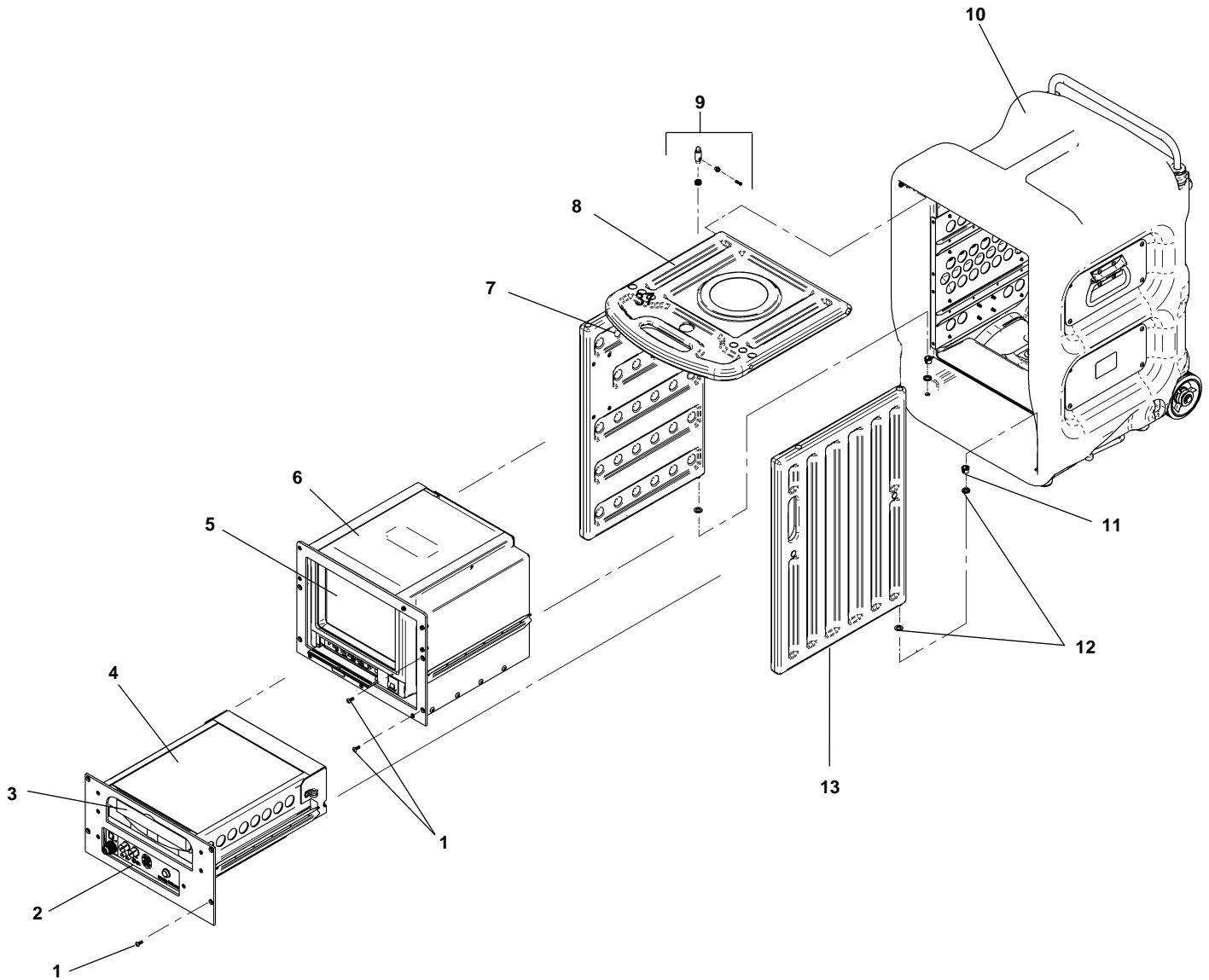
**NOTE: Order parts by Catalog Number only.  
DO NOT order by Reference Number.**

| <b>Ref. No.</b>   | <b>Catalog No.</b> | <b>Description</b>                   |
|---|--------------------|--------------------------------------|
| 1   | 76927              | Monitor Only 115V                    |
|   | 76932              | Monitor Only 230V                    |
| 2   | 88117              | Right Pivot Assembly                 |
| 3   | 88107              | #6 x 1/2" Hex Screw (4) Tamper Proof |
| 4   | 76872              | Sun Shield                           |
| 5   | 88102              | Monitor Face Plate                   |
| 6   | 88112              | 6-32 x 5/16" Phillips Screw (4)      |
| 7   | 88122              | Left Pivot Assembly                  |
| <b>Items Not Shown<br/>(Located on Back of Monitor)</b> |                    |                                      |
| 88097 Cable Tie   |                    |                                      |
| 88167 White Spacer                                      |                    |                                      |
| 88132 M3 x 12 mm Phillips Screw                         |                    |                                      |
| 87242 Cable Tie Clip                                    |                    |                                      |



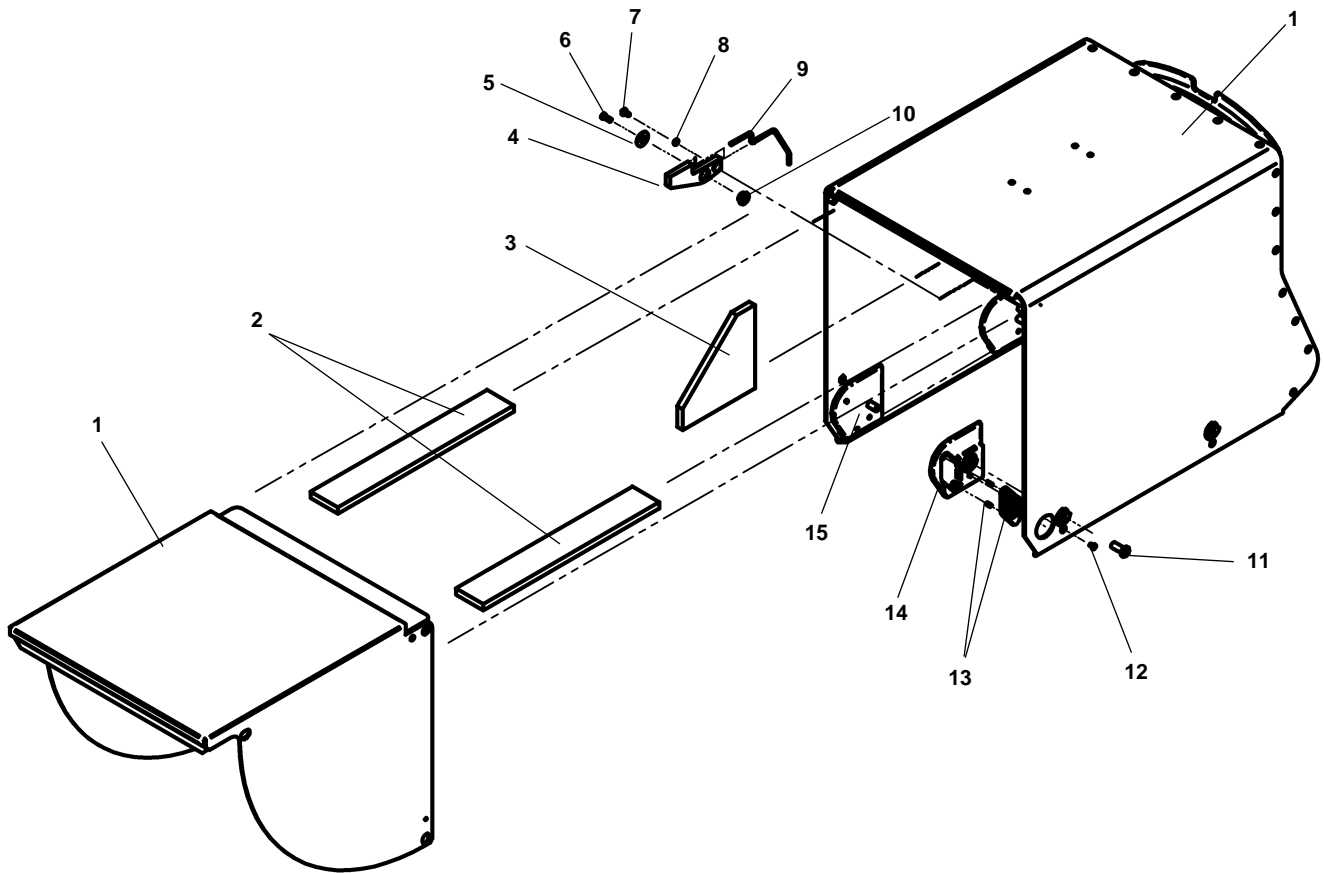
**NOTE: Order parts by Catalog Number only.  
DO NOT order by Reference Number.**

| Ref. No. | Catalog No. | Description                  | Ref. No.         | Catalog No. | Description              |
|----------|-------------|------------------------------|------------------|-------------|--------------------------|
| 1        | 15843       | VSM Handle Assembly          | 16               | 76937       | Front Kickstand          |
| 2        | 15848       | VSM Handle Tube Assembly (2) | 17               | 15898       | Screw (24)               |
| 3        | 15853       | VSM Case Only                | 18               | 15903       | Bottom Plate             |
| 4        | 14918       | Rubber Foot (6)              | 19               | 15908       | Side Handle              |
| 5        | 16003       | Screw (6)                    | 20               | 15918       | Top Plate                |
| 6        | 15858       | Snap Ring (2)                | 21               | 15923       | Inside Slide Track Plate |
| 7        | 15863       | Washer (2)                   | 22               | 15928       | Slide (4)                |
| 8        | 15868       | VSM Wheel (2)                | 23               | 15933       | Screw (12)               |
| 9        | 15873       | Axle                         | 24               | 15938       | Lock Nut (6)             |
| 10       | 15883       | Skid (2)                     | 25               | 15943       | Washer (6)               |
| 11       | 68252       | Axle Spacer                  | 26               | 15948       | Cable Clamp              |
| 12       | 15888       | Slide Tube Cap (2)           | 27               | 15953       | Washer (12)              |
| 13       | 15878       | Washer (2)                   |                  |             |                          |
| 14       | 15893       | Slide Tube O-Ring (4)        |                  |             |                          |
| 15       | 76942       | Rear Kickstand               |                  |             |                          |
|          |             |                              | <b>Not Shown</b> |             |                          |
|          |             |                              | 15958            | 15958       | Male Slide (4)           |



**NOTE: Order parts by Catalog Number only.  
DO NOT order by Reference Number.**

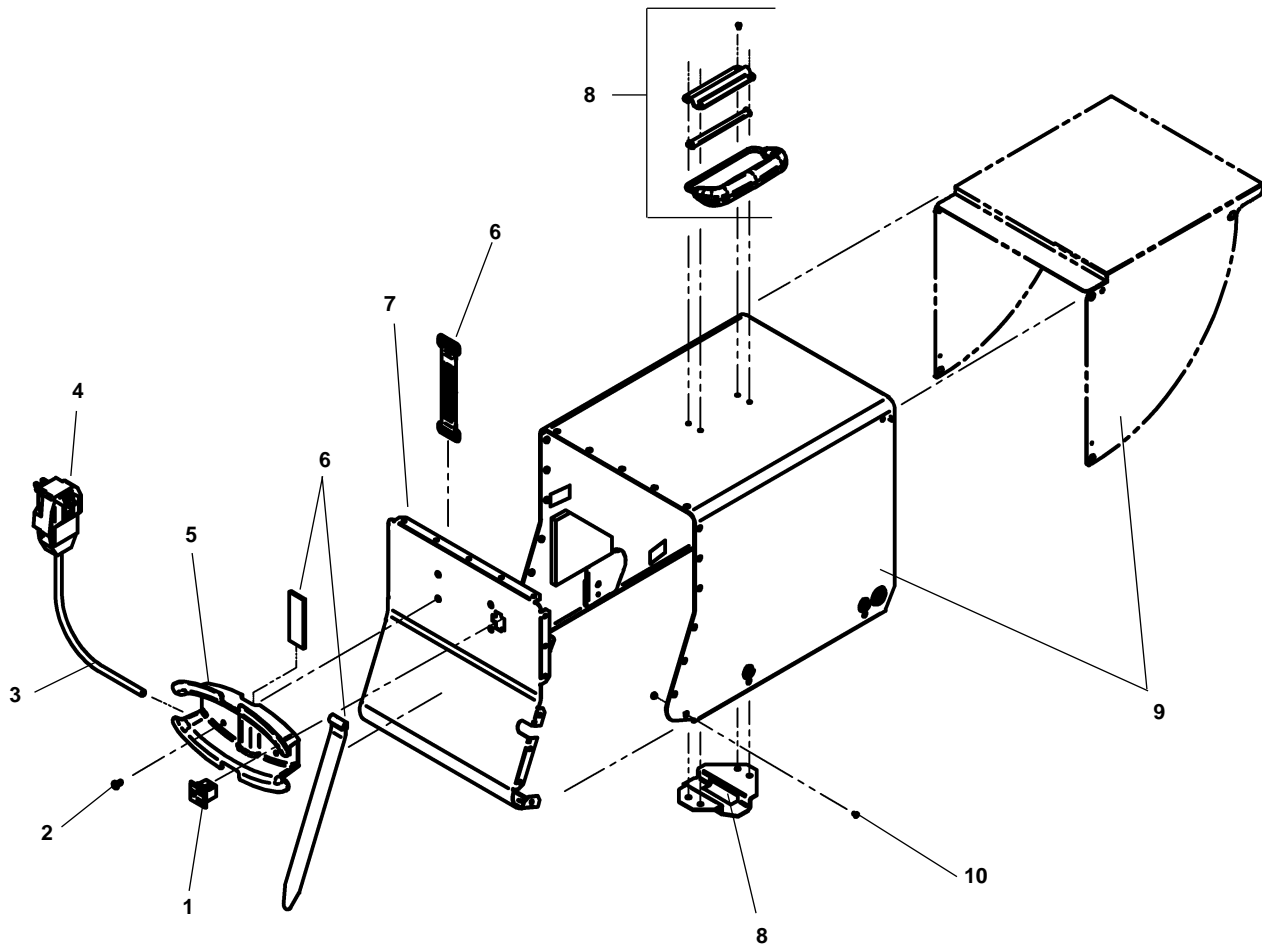
| Ref. No. | Catalog No. | Description             | Ref. No. | Catalog No. | Description            |
|----------|-------------|-------------------------|----------|-------------|------------------------|
| 1        | 15898       | Screw (24)              | 6        | 15963       | Monitor Frame Assembly |
| 2        | 87252       | Power Pack w/aud (115V) | 7        | 15973       | Left Door Assembly     |
|          | 87257       | Power Pack w/aud (230V) | 8        | 15978       | Top Door Assembly      |
| 3        | 76857       | VCR Only (115V)         | 9        | 15988       | Door Latch Assembly    |
|          | 76862       | VCR Only (230V)         | 10       | 15853       | VSM Case Only          |
| 4        | 15968       | VCR Frame Assembly      | 11       | 15993       | Door Bushing (6)       |
| 5        | 76837       | Monitor Only (115V)     | 12       | 15998       | Washer (6)             |
|          | 76842       | Monitor Only (230V)     | 13       | 15983       | Right Door Assembly    |



**NOTE: Order parts by Catalog Number only.  
DO NOT order by Reference Number.**

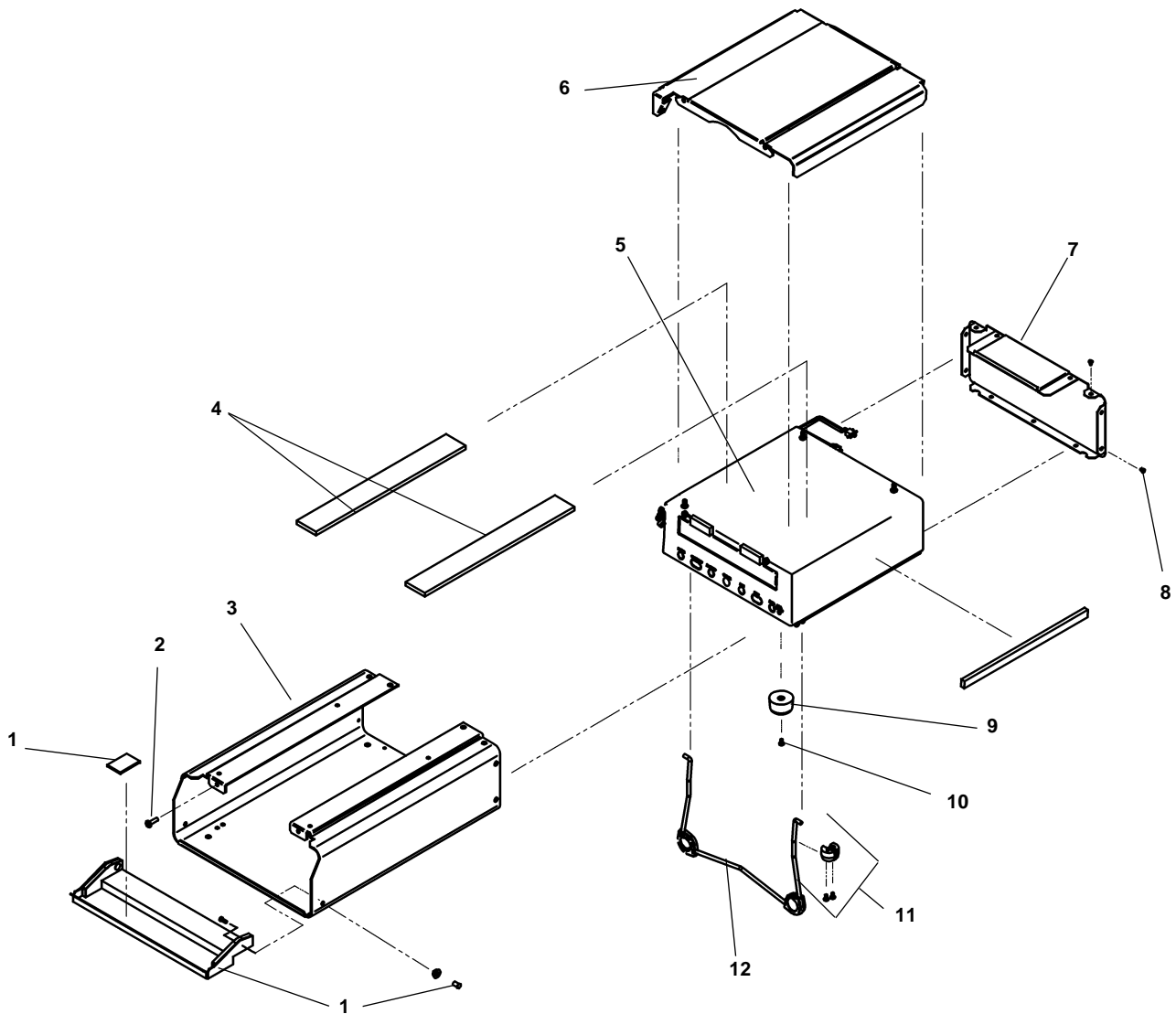
| Ref. No. | Catalog No. | Description                          |
|----------|-------------|--------------------------------------|
| 1        | 10203       | Monitor+VCR Housing Assembly (B&W)   |
|          | 10208       | Monitor+VCR Housing Assembly (Color) |
| 2        | 14963       | Top Foam Packing                     |
| 3        | 14968       | Side Foam Packing                    |
| 4        | 91587       | Left Cover Block                     |
|          | 91592       | Right Cover Block (Not Shown)        |
| 5        | 91612       | Hood Retaining Washer (2)            |
| 6        | 91622       | Pivot Screw (2)                      |
| 7        | 91607       | Hood Retaining Screw (2)             |
| 8        | 91617       | Sun Hood O-Ring (2)                  |
| 9        | 91602       | Sun Hood Spring (2)                  |
| 10       | 91597       | Pivot Shoulder Washer (2)            |
| 11       | 16843       | Hex Head Screw (2)                   |
| 12       | 14913       | Screw (4)                            |
| 13       | 14018       | Push Button & Spring Assembly (2)    |
| 14       | 14983       | Right Button Block Assembly          |
| 15       | 14978       | Left Button Block Assembly           |





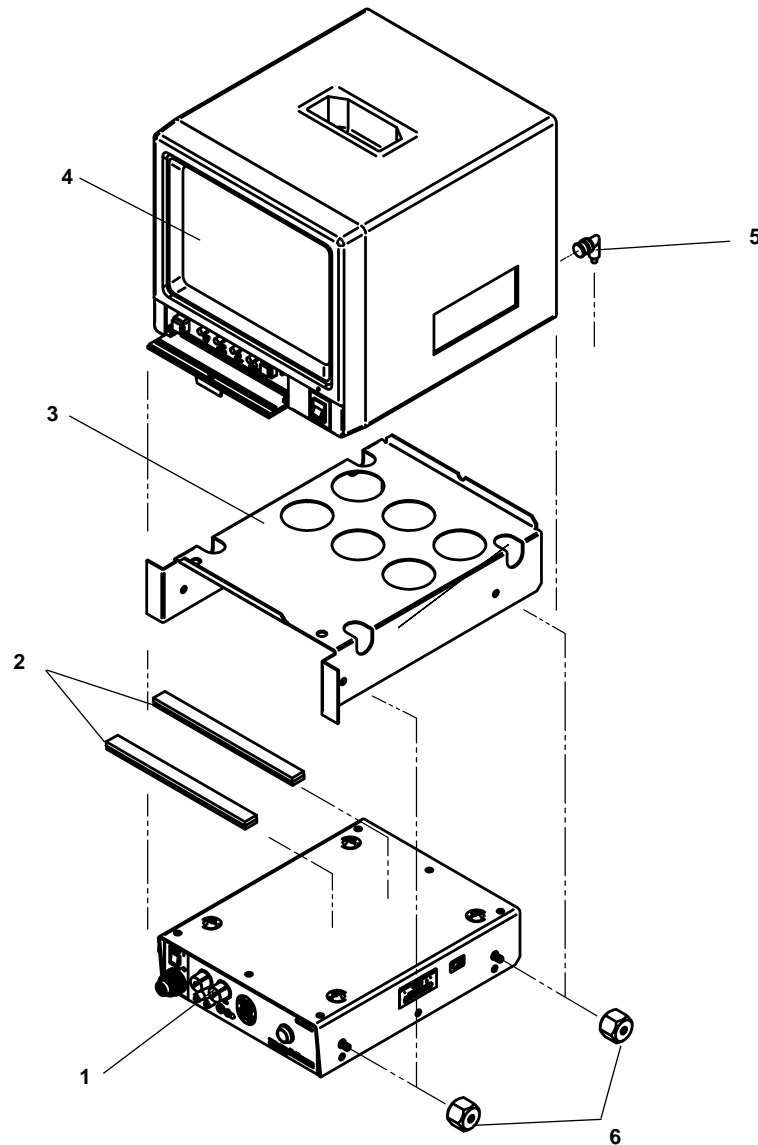
**NOTE: Order parts by Catalog Number only.  
DO NOT order by Reference Number.**

| Ref. No. | Catalog No. | Description                          |
|----------|-------------|--------------------------------------|
| 1        | 87212       | Outlet Only (EIA)                    |
|          | 87217       | Outlet Only (CCIR)                   |
| 2        | 16848       | Screw (4)                            |
| 3        | 72002       | GFCI Cord (115V)                     |
|          | 87222       | GFCI Cord (230V)                     |
| 4        | 71637       | GFCI Plug Only (115V)                |
|          | 72552       | GFCI Plug Only (230V)                |
| 5        | 14943       | Cord Wrap                            |
| 6        | 14948       | Cord Tie Strap Assembly              |
| 7        | 14938       | Rear Monitor+VCR Cover               |
| 8        | 14838       | Monitor+VCR Handle Assembly          |
| 9        | 10203       | Monitor+VCR Housing Assembly (B&W)   |
|          | 10208       | Monitor+VCR Housing Assembly (Color) |
| 10       | 14913       | Screw (23)                           |



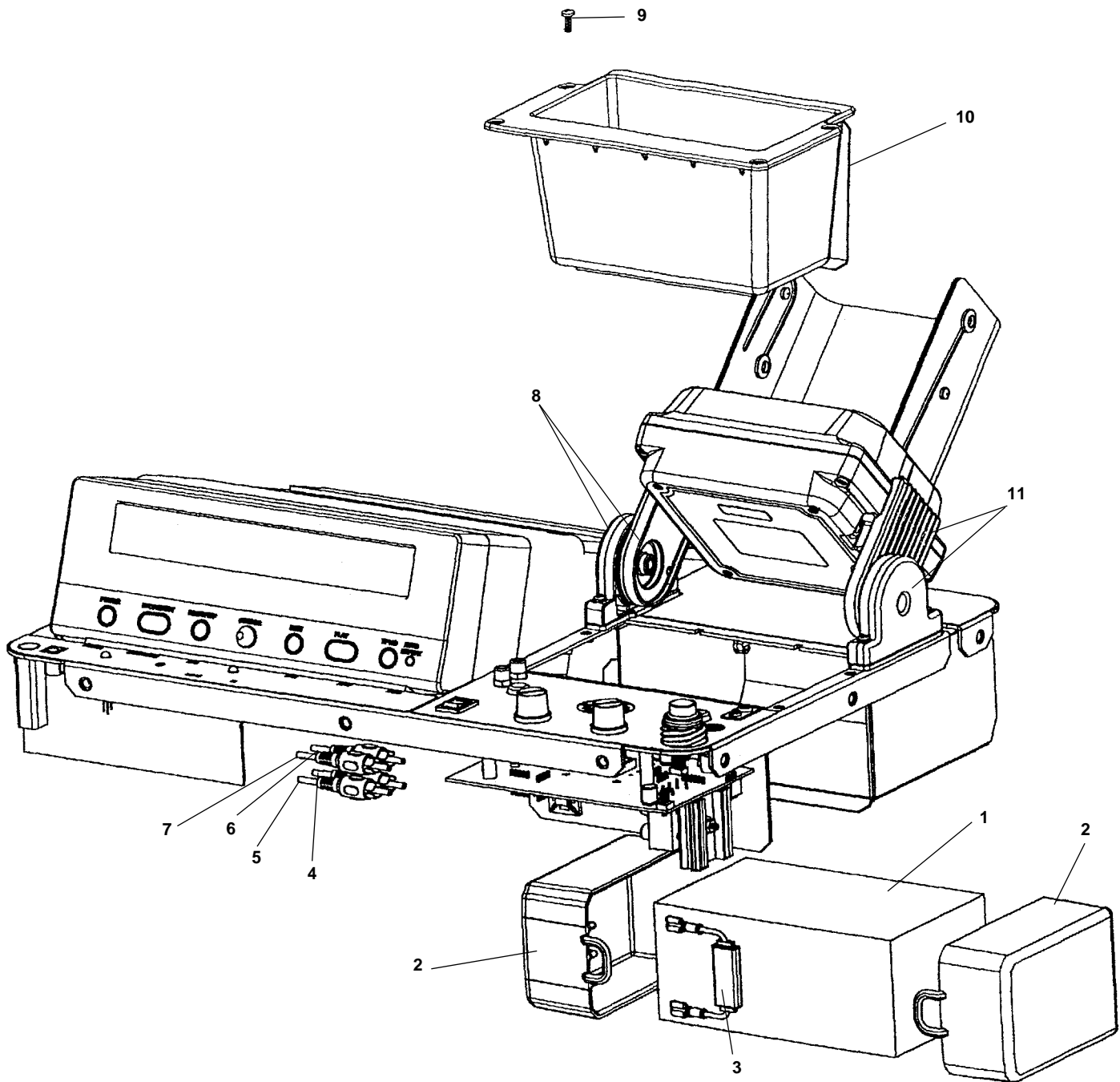
**NOTE: Order parts by Catalog Number only.  
DO NOT order by Reference Number.**

| <b>Ref. No.</b> | <b>Catalog No.</b> | <b>Description</b>          |
|-----------------|--------------------|-----------------------------|
| 1               | 14843              | VCR Door Assembly           |
| 2               | 14848              | Screw (2)                   |
| 3               | 14853              | VCR Shell Assembly          |
| 4               | 14928              | VCR Top Foam                |
| 5               | 76857              | VCR (115V)                  |
|                 | 76862              | VCR (230V)                  |
| 6               | 10898              | VCR Bracket Assembly        |
| 7               | 16833              | VCR Backplate               |
| 8               | 14913              | Screw (11)                  |
| 9               | 16848              | Monitor+VCR Leg (4)         |
| 10              | 14923              | Screw (4)                   |
| 11              | 14878              | Kickstand Retainer Assembly |
| 12              | 76947              | Monitor+VCR Kickstand       |



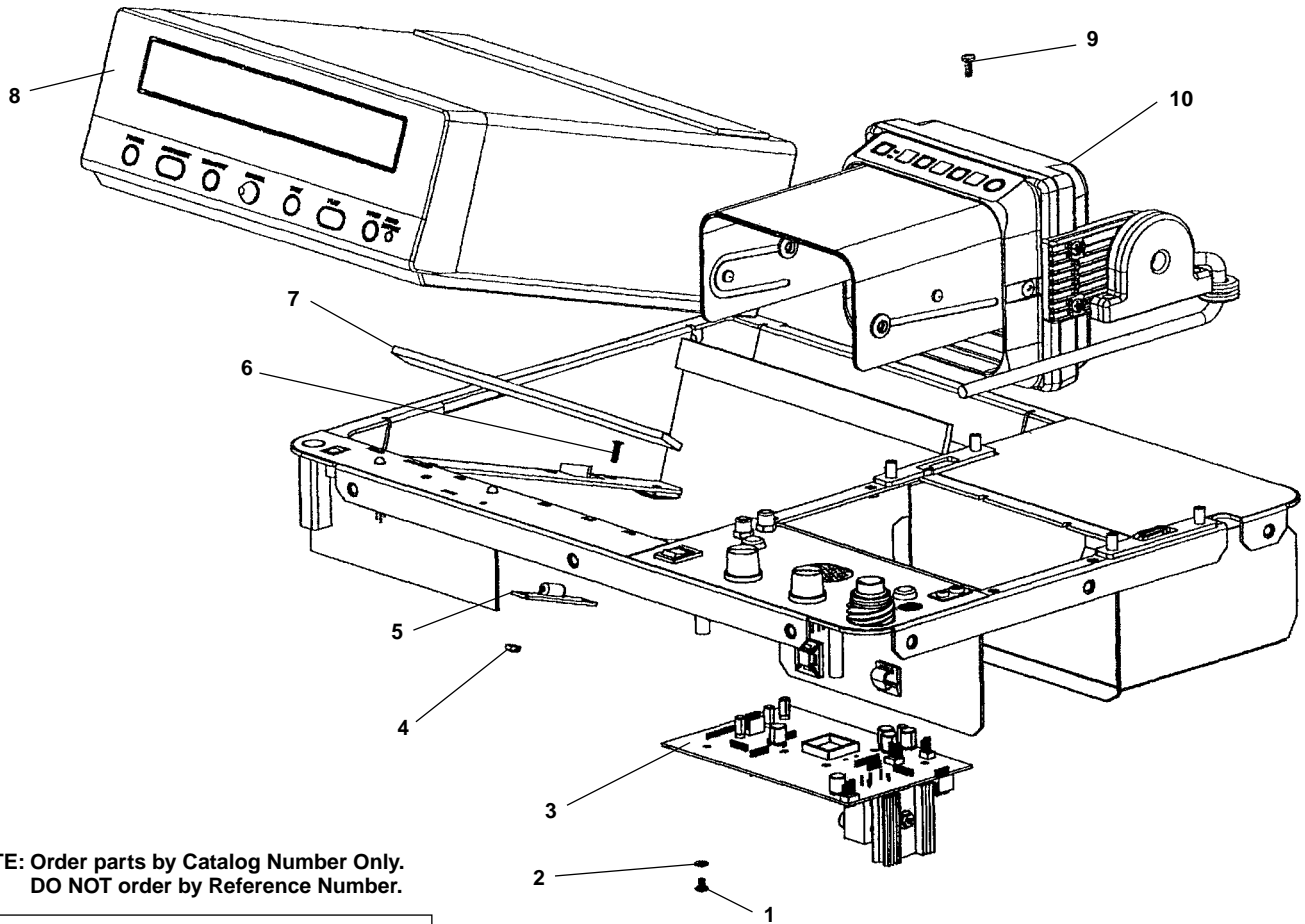
**NOTE: Order parts by Catalog Number only.  
DO NOT order by Reference Number.**

| Ref. No. | Catalog No. | Description                   |
|----------|-------------|-------------------------------|
| 1        | 87252       | Power Pack + Aud (115V)       |
|          | 87257       | Power Pack + Aud (230V)       |
| 2        | 14933       | Foam                          |
| 3        | 14958       | Power Pack Cover (Color Only) |
| 4        | 76837       | Monitor (B&W EIA)             |
|          | 76842       | Monitor (B&W CCIR)            |
|          | 76847       | Monitor (Color NTSC)          |
|          | 76852       | Monitor (Color PAL)           |
| 5        | 14953       | 90 Degree Adapter             |
| 6        | 16838       | Spacer (Color Only) (4)       |



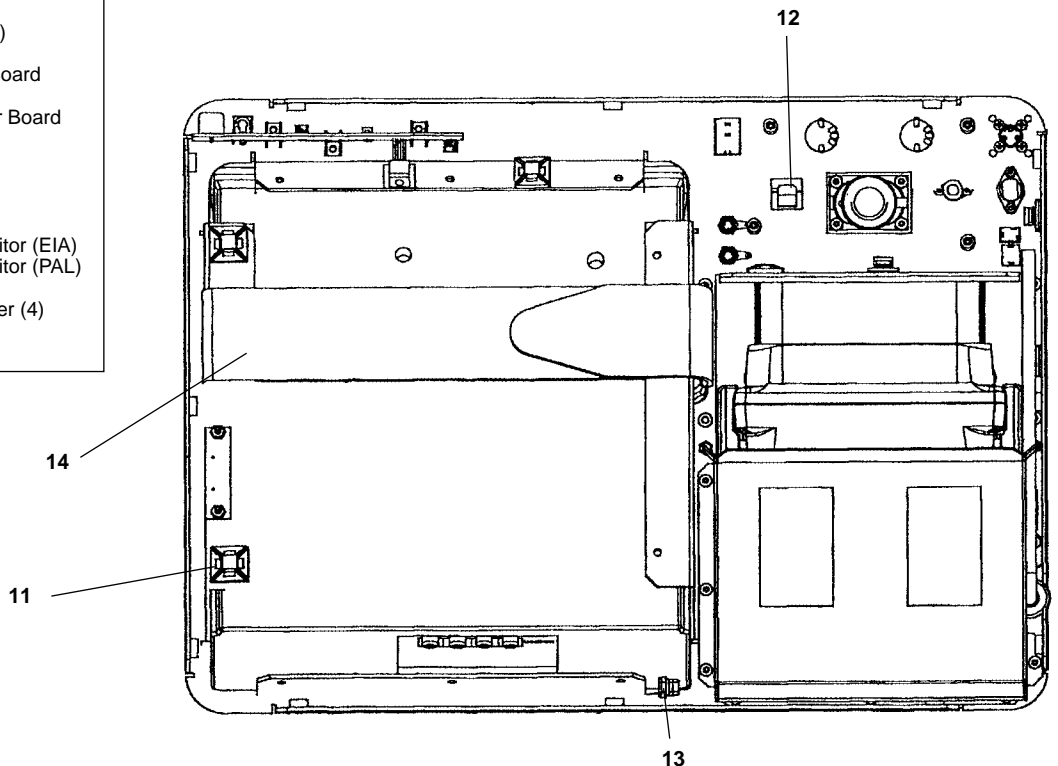
**NOTE: Order parts by Catalog Number Only.  
DO NOT order by Reference Number.**

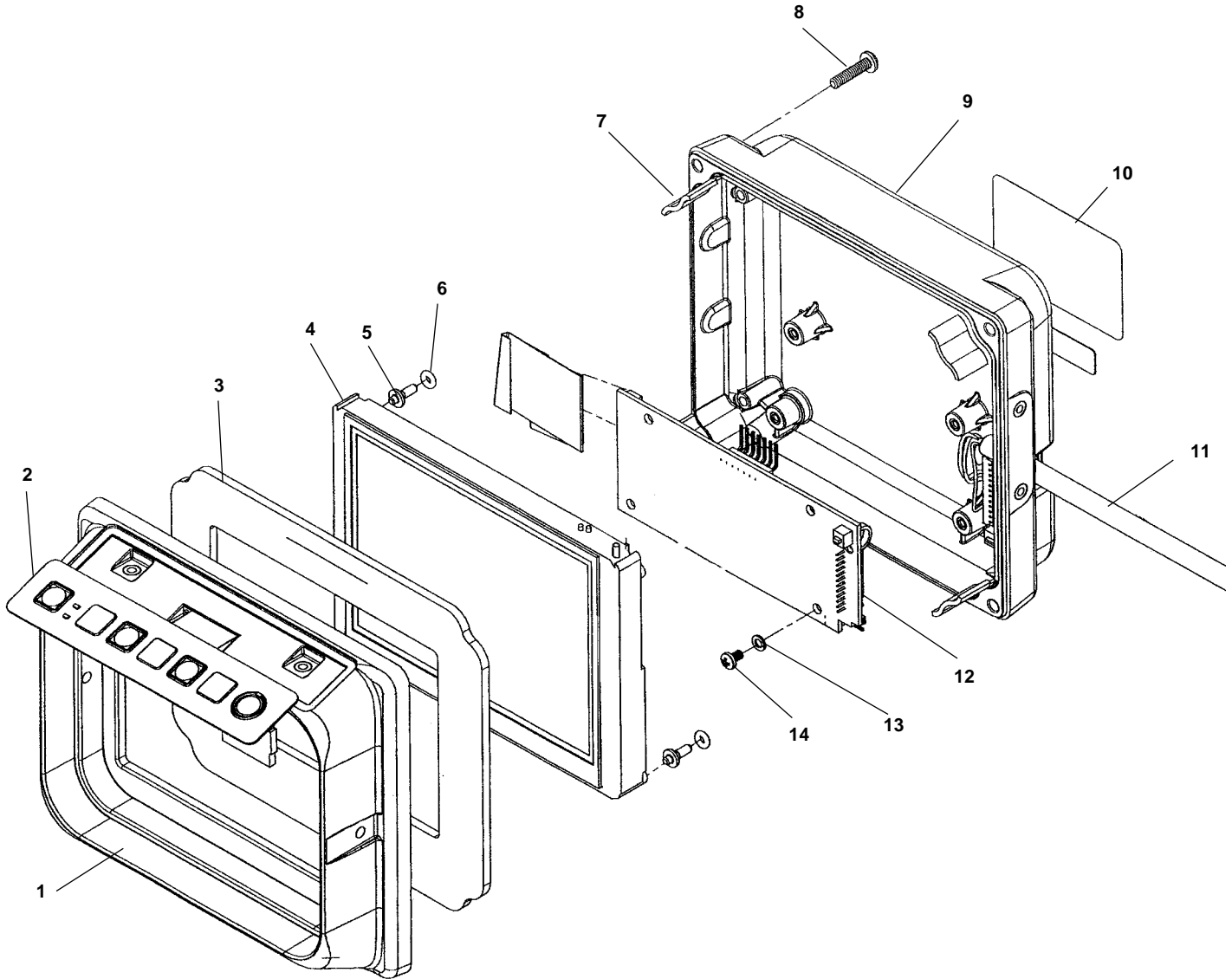
| Ref. No. | Catalog No. | Description                   |
|----------|-------------|-------------------------------|
| 1        | 93117       | Battery                       |
| 2        | 91892       | Battery Cap (2)               |
| 3        | 91742       | Fuse Board Assembly           |
| 4        | 91897       | Red RCA Cable Assembly        |
| 5        | 91902       | Yellow RCA Cable Assembly     |
| 6        | 91912       | Green RCA Cable Assembly      |
| 7        | 91907       | White RCA Cable Assembly      |
| 8        | 92647       | Left Pivot Assembly           |
| 9        | 91867       | 6 - 32 x 3/8" Phil. Screw (8) |
| 10       | 91882       | Pocket                        |
| 11       | 92652       | Right Pivot Assembly          |



**NOTE: Order parts by Catalog Number Only. DO NOT order by Reference Number.**

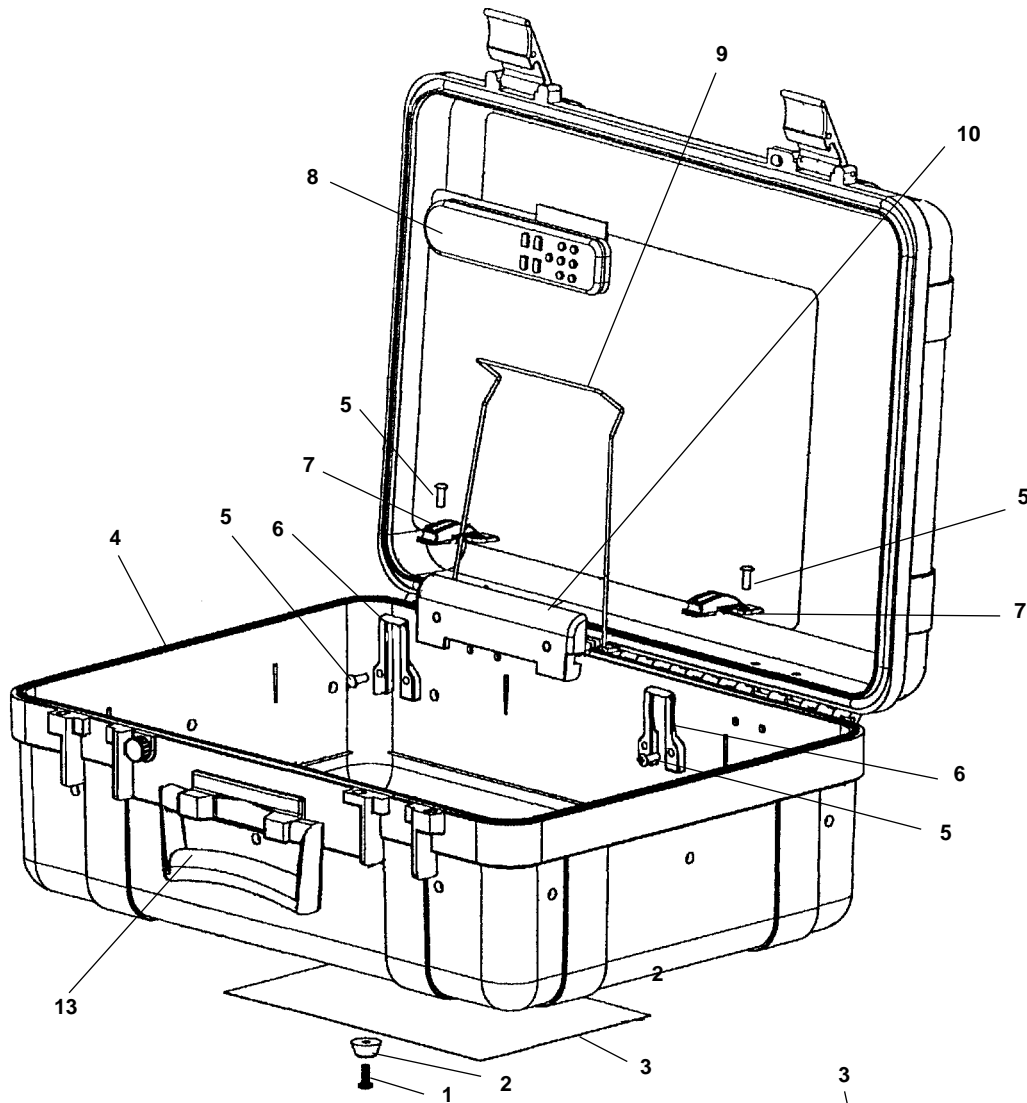
| Ref. No. | Catalog No. | Description                   |
|----------|-------------|-------------------------------|
| 1        | 88092       | 6 - 32 x 3/16" Screw (4)      |
| 2        | 91782       | Lock Washer (4)               |
| 3        | 91837       | Audio/Video Power Board       |
| 4        | 91767       | 4 - 40 Hex Nut (6)            |
| 5        | 91857       | Record Detect Power Board     |
| 6        | 91862       | 4 - 40 x 3/8" Screw (2)       |
| 7        | 91842       | Neoprene Foam                 |
| 8        | 76857       | VCR 115V                      |
|          | 76862       | VCR 230V                      |
| 9        | 91867       | 6 - 32 x 3/8" Screw (4)       |
| 10       | 91847       | Color Tool Case Monitor (EIA) |
|          | 91852       | Color Tool Case Monitor (PAL) |
| 11       | 91827       | Cable Tie Holder (4)          |
| 12       | 91832       | Large Wire Clip Holder (4)    |
| 13       | 91877       | Cord Retainer                 |
| 14       | 91822       | VCR Strap                     |





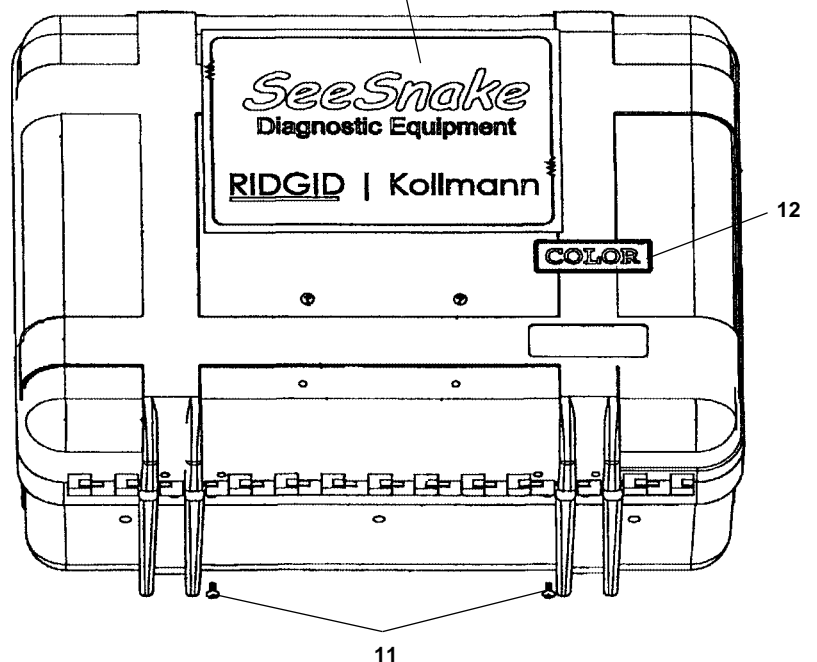
**NOTE: Order parts by Catalog Number Only.  
DO NOT order by Reference Number.**

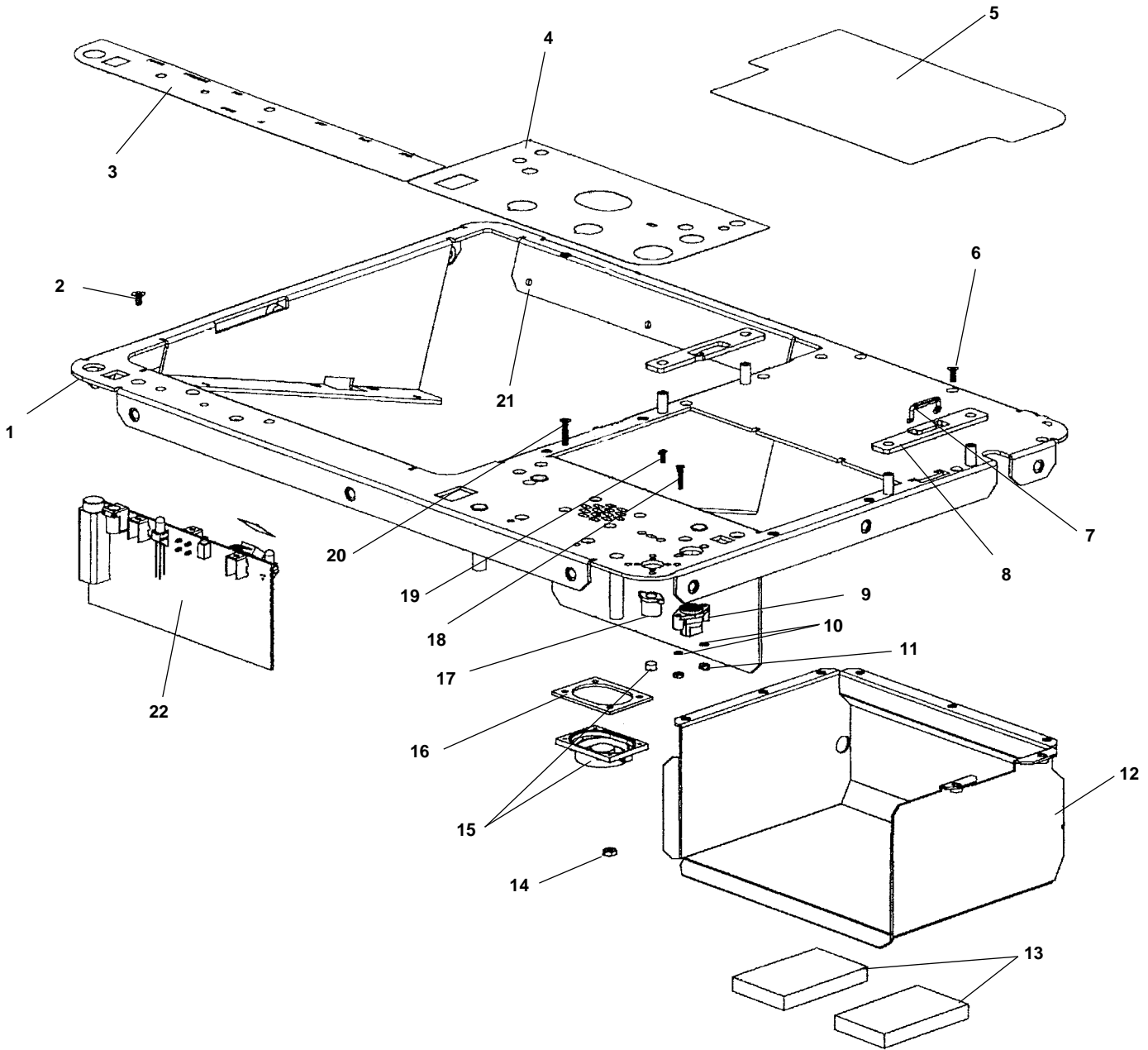
| Ref. No. | Catalog No. | Description                  |
|----------|-------------|------------------------------|
| 1        | 91937       | Monitor Front Housing        |
| 2        | 91927       | Color Tool Case Keypad       |
| 3        | 91932       | Color Toolbox Monitor Gasket |
| 4        | 16853       | Display Module (115V)        |
|          | 16858       | Display Module (230V)        |
| 5        | 91952       | Mounting Pin (4)             |
| 6        | 91617       | O-Ring (4)                   |
| 7        | 91992       | Corner Housing Pad           |
| 8        | 91972       | 6 - 32 x 5/8" Screw (4)      |
| 9        | 91987       | Monitor Rear Housing         |
| 10       | 91977       | Serial Label (115V)          |
|          | 91982       | Serial Label (230V)          |
| 11       | 91997       | Monitor Cable                |
| 12       | 91962       | Monitor Power Board (115V)   |
|          | 91967       | Monitor Power Board (230V)   |
| 13       | 88047       | Split Lock Washer (4)        |
| 14       | 91957       | 4 - 40 x 3/16" Screw (4)     |



**NOTE: Order parts by Catalog Number Only.  
DO NOT order by Reference Number.**

| Ref. No. | Catalog No. | Description                  |
|----------|-------------|------------------------------|
| 1        | 91677       | 8 - 32 x 1/2" Screw (4)      |
| 2        | 91657       | Rubber Foot (4)              |
| 3        | 91667       | Large Lid Label              |
| 4        | 92677       | Color Tool Case Only         |
| 5        | 91672       | 6 - 32 x 1/2" Nut Barrel (4) |
| 6        | 91632       | Clip Support (2)             |
| 7        | 91642       | Lid Supp Tab (2)             |
| 8        | 86097       | Remote Control               |
| 9        | 88147       | Toolbox Bail                 |
| 10       | 91637       | Bail Cover                   |
| 11       | 88112       | 6 - 32 x 7/16" Screw (10)    |
| 12       | 91662       | Small Lid Label              |
| 13       | 16823       | Handle Only                  |

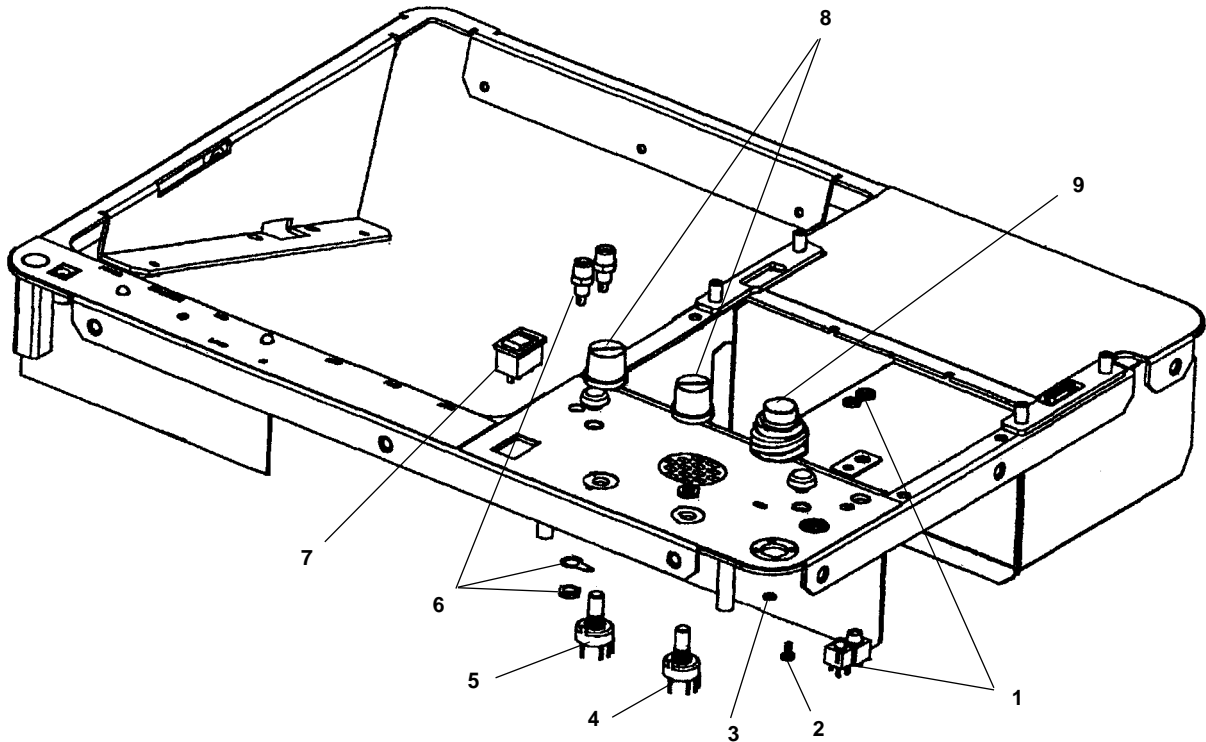




**NOTE: Order parts by Catalog Number Only.  
DO NOT order by Reference Number.**

| Ref. No. | Catalog No. | Description                  | Ref. No. | Catalog No. | Description                  |
|----------|-------------|------------------------------|----------|-------------|------------------------------|
| 1        | 91707       | Color Tool Case Panel        | 14       | 91767       | 4 - 40 Hex Nut (4)           |
| 2        | 91762       | 6 - 32 x 1/4" Flat Screw (3) | 15       | 91747       | Internal Mic & Speaker Assy. |
| 3        | 91712       | VCR Panel Label              | 16       | 91752       | Speaker Gasket               |
| 4        | 91717       | Front Panel Label            | 17       | 91757       | Mic Holder                   |
| 5        | 91722       | Rear Panel Label             | 18       | 88077       | 2 - 56 x 1/2" Flat Screw (2) |
| 6        | 91777       | 4 - 40 x 1/4" Flat Screw (8) | 19       | 91772       | 2 - 56 x 1/4" Flat Screw (2) |
| 7        | 88992       | Reed Switch Assembly         | 20       | 91782       | 4 - 40 X 1/2" Flat Screw (4) |
| 8        | 91727       | Monitor Spacer               | 21       | 88047       | Split Lock Washer (10)       |
| 9        | 88172       | Connector                    | 22       | 91742       | Fuse Board Assembly          |
| 10       | 88082       | Split Lock Washer (4)        |          |             |                              |
| 11       | 88087       | 2 - 56 Hex Nut (4)           |          |             |                              |
| 12       | 91732       | Battery Tray                 |          |             |                              |
| 13       | 91737       | Battery Tray Foam (2)        |          |             |                              |

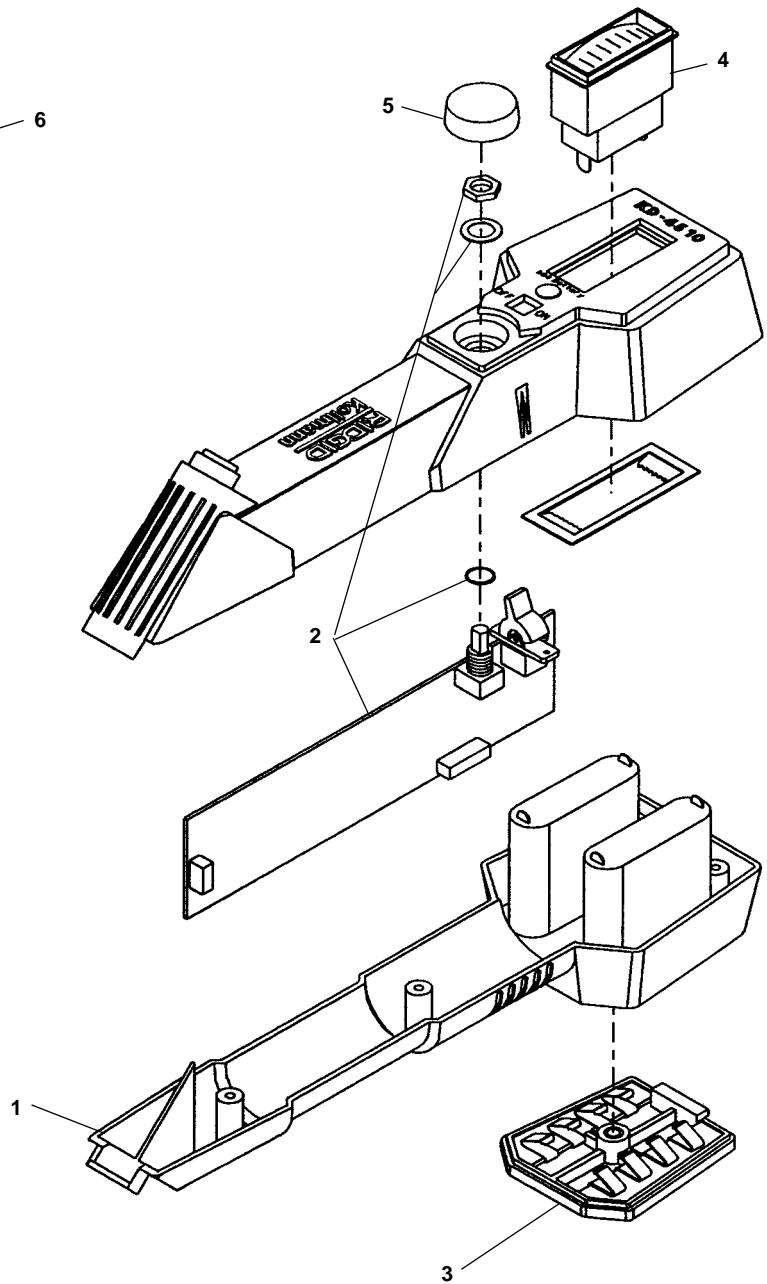
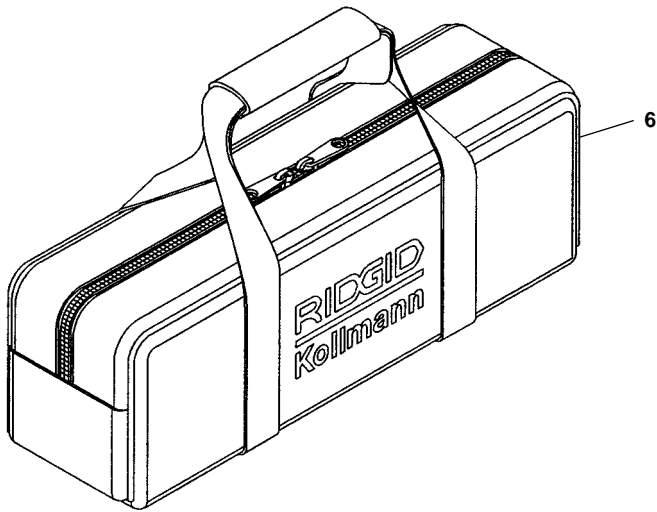




**NOTE: Order parts by Catalog Number Only.  
DO NOT order by Reference Number.**

| <b>Ref. No.</b> | <b>Catalog No.</b> | <b>Description</b>            |
|-----------------|--------------------|-------------------------------|
| 1               | 91812              | External Mic Speaker Assembly |
| 2               | 88052              | 4 - 40 x 1/4" Screw (4)       |
| 3               | 88047              | Lock Washer                   |
| 4               | 87157              | Dimmer Switch                 |
| 5               | 87162              | Volume Control Switch         |
| 6               | 91792              | Audio/Video Dubbing Assembly  |
| 7               | 91797              | Power Switch                  |
| 8               | 87152              | Knob w/Set Screw (2)          |
| 9               | 77307              | Interconnect Bulkhead         |

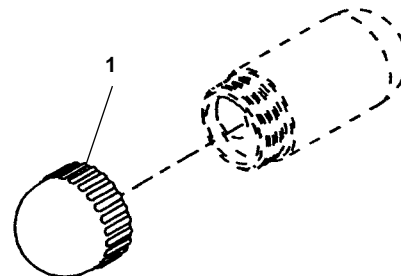
**Pointer Receiver**

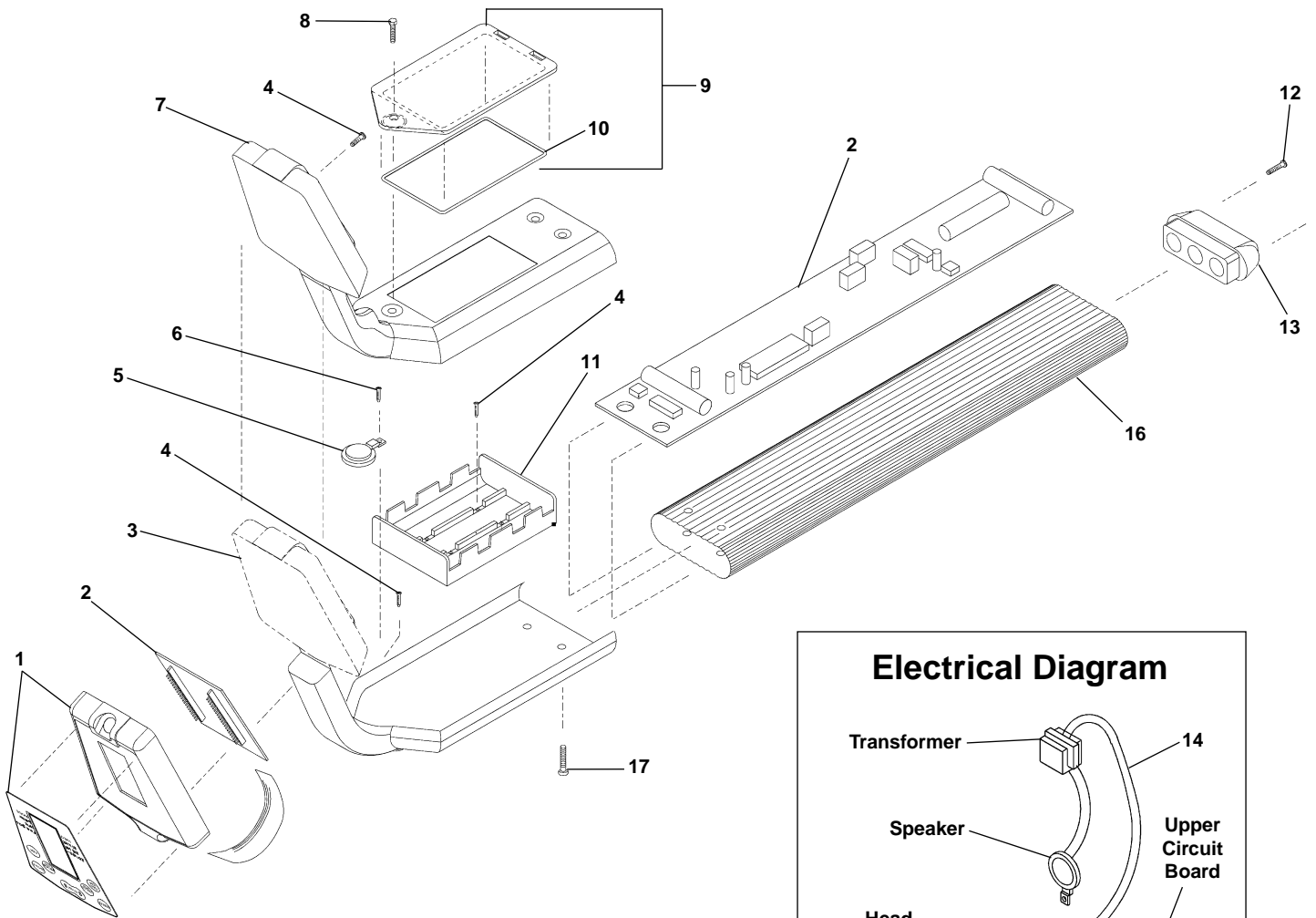


**NOTE: Order parts by Catalog Number only.  
DO NOT order by Reference Number.**

| Ref. No. | Catalog No. | Description              |
|----------|-------------|--------------------------|
| —        | 67222       | KD-4510 Pointer Receiver |
| 1        | 70927       | Rear Housing             |
| 2        | 70932       | Circuit Board            |
| 3        | 70937       | Battery Door w/Screw     |
| 4        | 70942       | Meter                    |
| 5        | 70947       | Knob                     |
| 6        | 71682       | Carrying Case            |

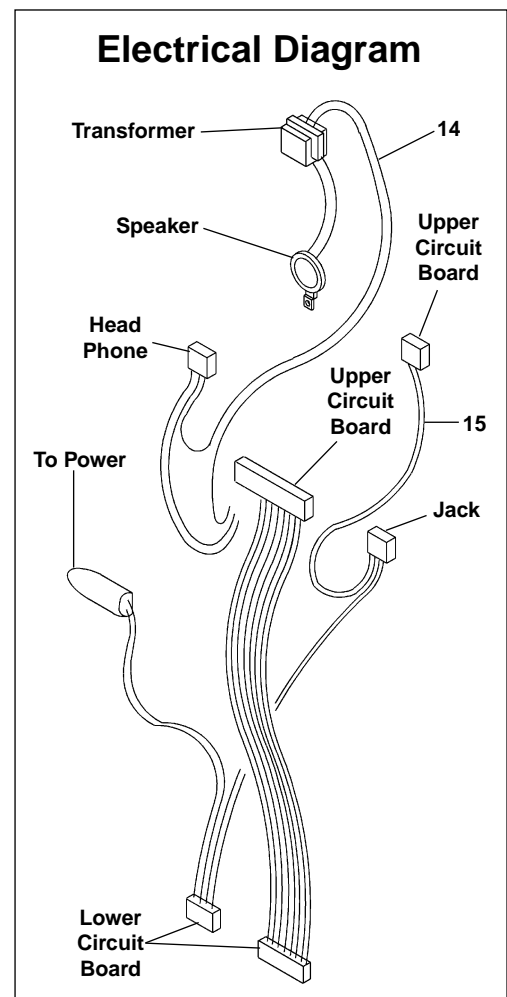
| Ref. No. | Catalog No. | Description        |
|----------|-------------|--------------------|
| —        | 67227       | Remote Transmitter |
| 1        | 70957       | Sonde Cap          |





**NOTE: Order parts by Catalog Number Only.  
DO NOT order by Reference Number.**

| Ref. No. | Catalog No. | Description                               |
|----------|-------------|---|
| 1        | 92537       | Keypad Console Assembly                   |
| 2        | 92622       | Power Board Assembly                      |
| 3        | 92507       | Lower Receiver Housing                    |
| 4        | 92567       | #4-24 x 3/16" Tap Screw (8)               |
| 5        | 92552       | Internal Speaker                          |
| 6        | 92562       | #2-32 x 1/4" Tap Screw (2)                |
| 7        | 92512       | Upper Receiver Housing                    |
| 8        | 92582       | #10-24 x 1/2" Screw                       |
| 9        | 93597       | Battery Door w/O-Ring                     |
| 10       | 92592       | O-Ring                                    |
| 11       | 92557       | Battery Holder                            |
| 12       | 92572       | #6 x 3/4" Tap Screw (2)                   |
| 13       | 92517       | End Cap                                   |
| 14       | 92502       | Battery Wiring Harness                    |
| 15       | 92472       | Main Wiring Harness                       |
| 16       | 92532       | Lower Body                                |
| 17       | 92587       | 13/16"-18 x 5/8" Button Hd. Cap Screw (2) |

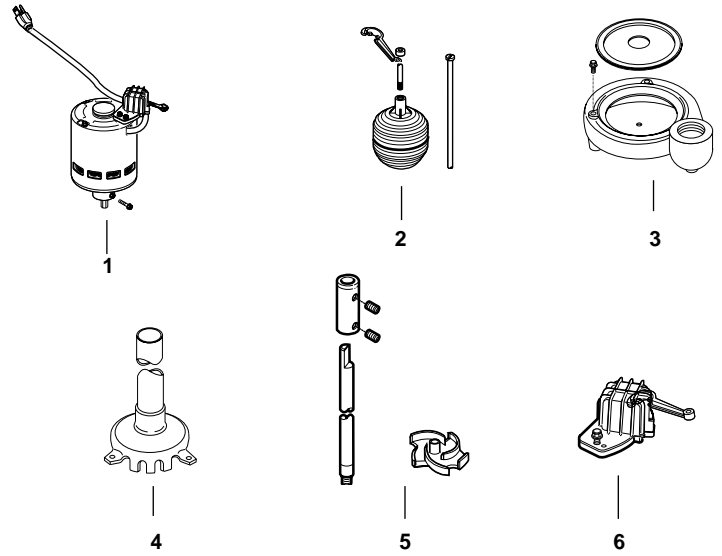


**Pedestal Sump Pump**

**SP-500P**

NOTE: Order parts by Catalog Number only.  
DO NOT order by Reference Number.

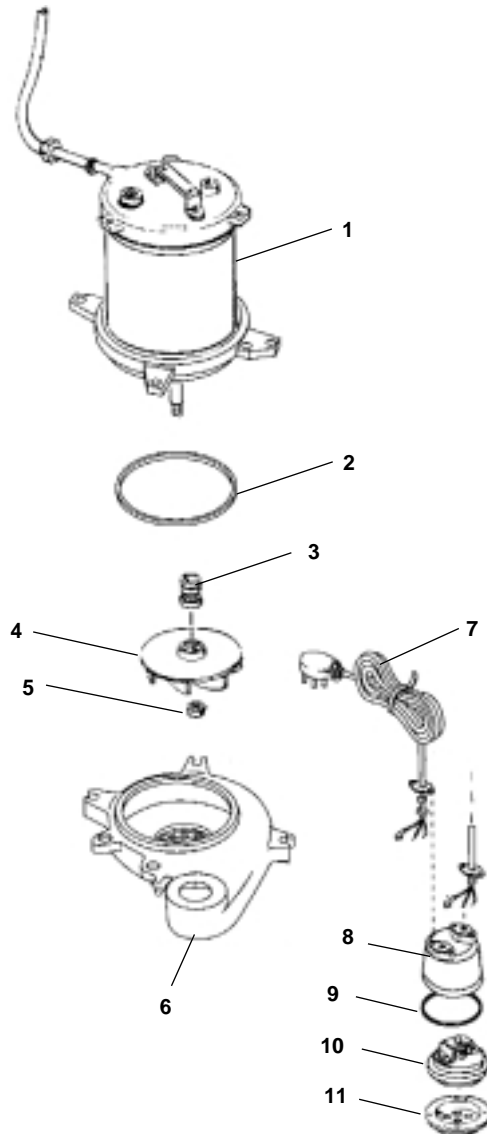
| Ref. No. | Catalog No. | Description                              |
|----------|-------------|--|
| 1        | 88462       | Motor Kit                                |
| 2        | 88467       | Float and Guide Kit                      |
| 3        | 88472       | Volute Kit                               |
| 4        | 88477       | Pump Top Housing with Bearing and Column |
| 5        | 88482       | Impeller Kit                             |
| 6        | 88487       | Switch Kit                               |



**Submersible Sump Pump**

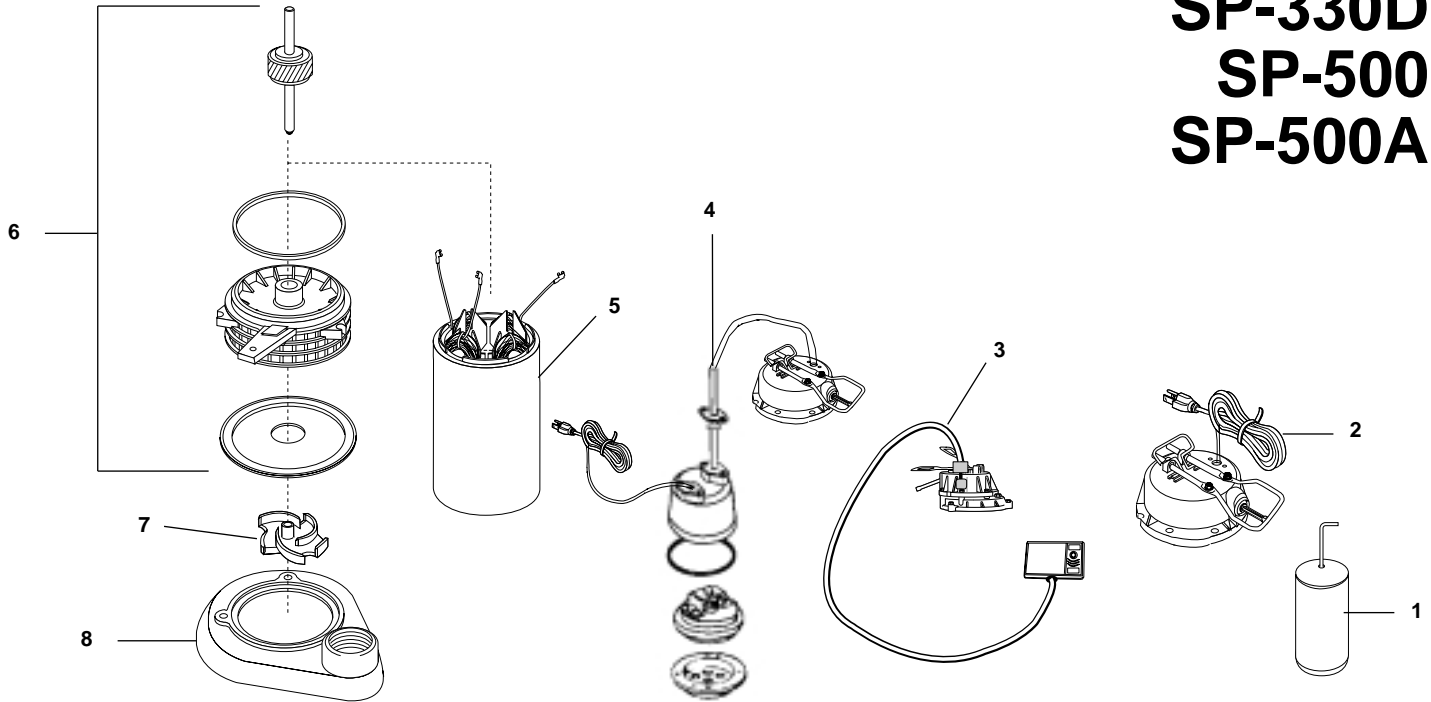
**SP-1000**

| Ref. No. | Catalog No. | Description              |
|----------|-------------|--------------------------|
| 1        | 90207       | Motor Assembly           |
| 2        | 90212       | Gasket                   |
| 3        | 90217       | Mechanical Seal          |
| 4        | 90222       | Impeller                 |
| 5        | 90227       | Impeller Nut             |
| 6        | 90232       | Volute                   |
| 7        | 90237       | Power Cord Assembly      |
| 8        | 90242       | Switch Housing           |
| 9        | 90247       | O-Ring Seal              |
| 10       | 90252       | Pressure Switch          |
| 11       | 90257       | Retainer Ring and Screen |



**Submersible Sump Pump**

**SP-330  
SP-330D  
SP-500  
SP-500A**

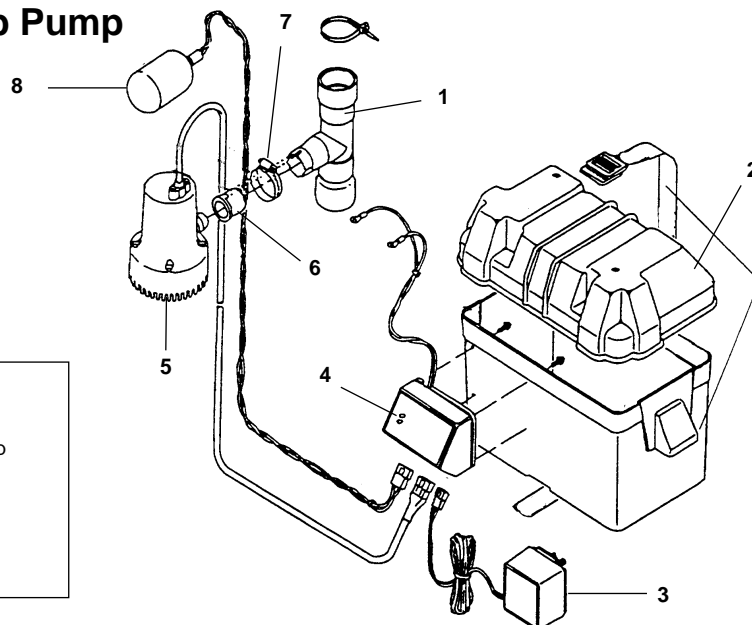


**NOTE: Order parts by Catalog Number only.  
DO NOT order by Reference Number.**

|                 | SP330              | SP330D             | SP500              | SP500A             |                           |
|-----------------|--------------------|--------------------|--------------------|--------------------|---------------------------|
| <b>Ref. No.</b> | <b>Catalog No.</b> | <b>Catalog No.</b> | <b>Catalog No.</b> | <b>Catalog No.</b> | <b>Description</b>        |
| 1               | 88557              | N/A                | 88557              | 88557              | Float Kit                 |
| 2               | 88562              | N/A                | 88562              | N/A                | Switch/Top Assembly       |
| 3               | N/A                | N/A                | N/A                | 88572              | Alarm Top Assembly/Switch |
| 4               | N/A                | 88567              | N/A                | N/A                | Top Assembly/Diaphragm    |
| 5               | 88577              | 88577              | 88582              | 88582              | Stator                    |
| 6               | 88587              | 88587              | 88592              | 88592              | Lower Bracket/Rotor       |
| 7               | 88597              | 88597              | 88597              | 88597              | Cast Iron Impeller        |
| 8               | 88602              | 90382              | 88602              | 88602              | Cast Iron Volute          |

**Battery Back Up Sump Pump**

**BB-12V**

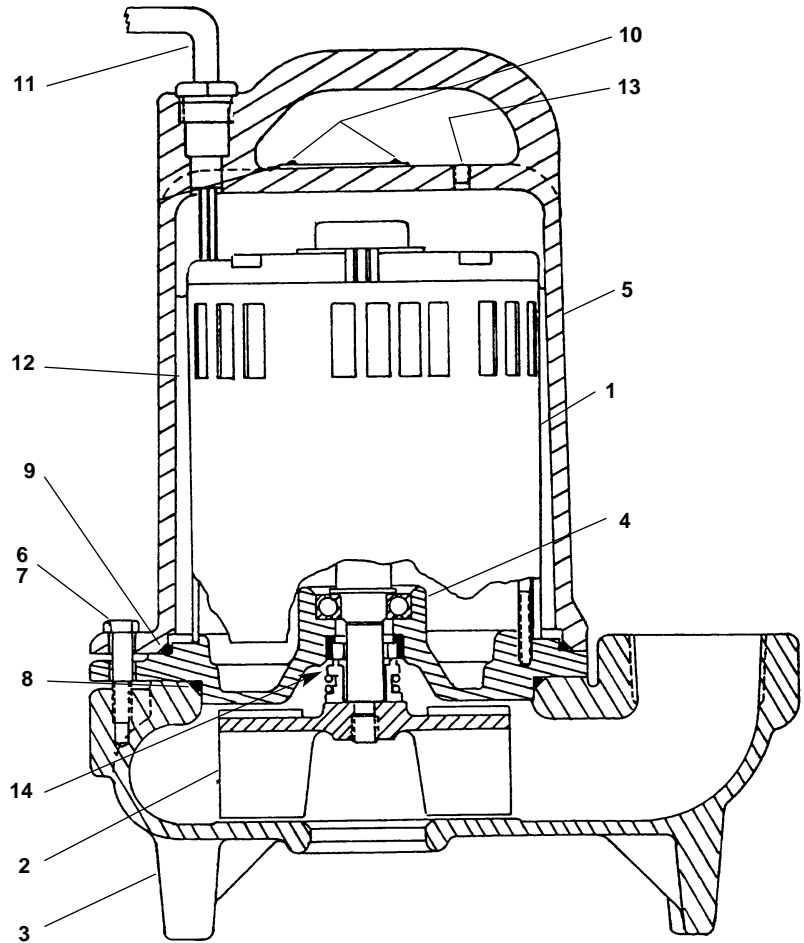


| Ref. No. | Catalog No. | Description            |
|----------|-------------|------------------------|
| 1        | 90132       | Tee Fitting            |
| 2        | 90137       | Battery Box with Strap |
| 3        | 90142       | Charger                |
| 4        | 90147       | Control Box            |
| 5        | 90152       | Pump                   |
| 6        | 90157       | Flapper Valve          |
| 7        | 90162       | Hose Clamp             |
| 8        | 90167       | Float Switch           |

**SEC-400  
SEC-600**

NOTE: Order parts by Catalog Number only.  
DO NOT order by Reference Number.

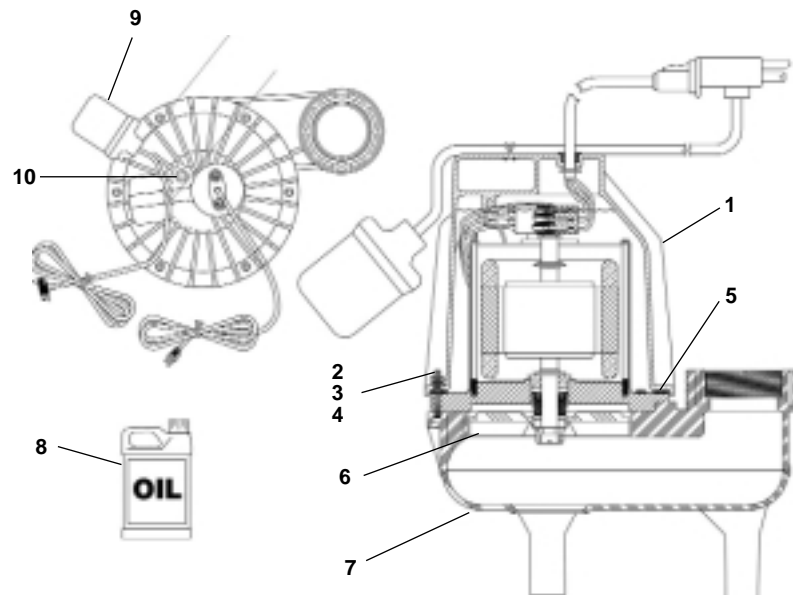
|          | SEC-400     | SEC-600     |                                      |
|----------|-------------|-------------|--------------------------------------|
| Ref. No. | Catalog No. | Catalog No. | Description                          |
| 1        | 90312       | 90317       | Motor .4 H.P.<br>Motor .6 H.P.       |
| 2        | 90322       | 90327       | Impeller .4 H.P.<br>Impeller .6 H.P. |
| 3        | 90332       | 90332       | Volute                               |
| 4        | 90337       | 90337       | Seal Plate                           |
| 5        | 90342       | 90342       | Motor Housing                        |
| 6        | 90347       | 90347       | Bolt, Hx. Hd. 3/8" - 16 x .75"       |
| 7        | 90352       | 90352       | Bolt, Hx. Hd. 3/8" - 16 x 1.50"      |
| 8        | 90357       | 90357       | Square Ring Gasket                   |
| 9        | 90362       | 90362       | O-Ring Gasket                        |
| 10       | 90367       | 90367       | Drive Screw #2 x .18"                |
| 11       | 90372       | 90372       | Power Supply Cord                    |
| 12       | 90297       | 90297       | Dielectric Oil-Pint                  |
| 13       | 90307       | 90307       | Pipe Plug                            |
| 14       | 90377       | 90377       | Shaft Seal Assembly                  |

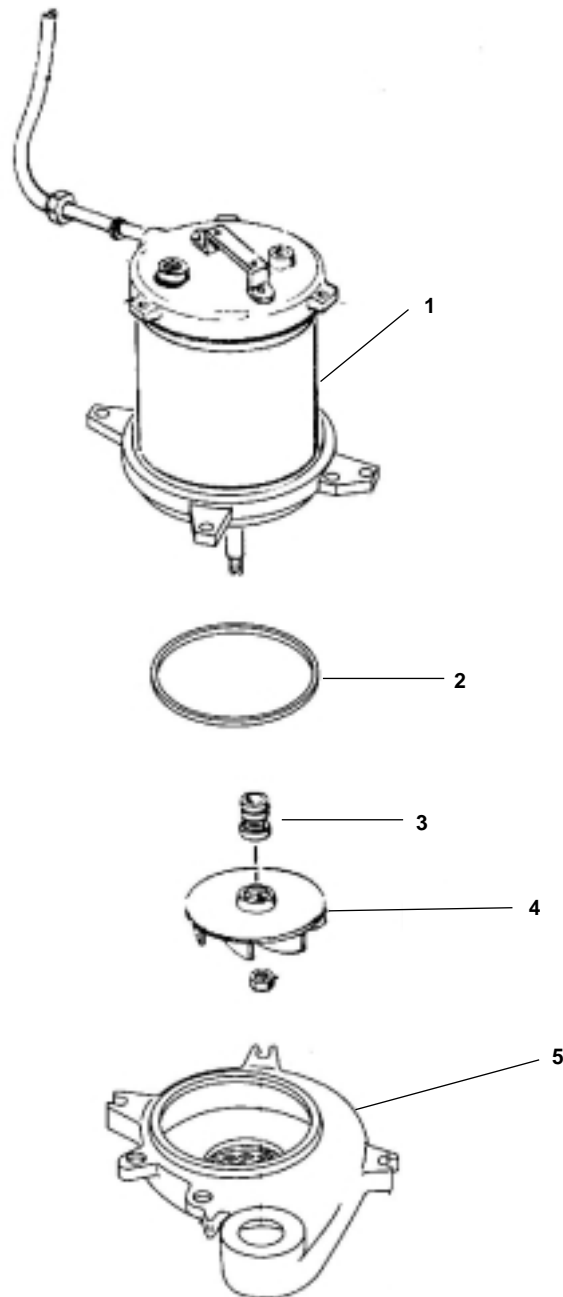


**Sewage Pump**

**SEP-500**

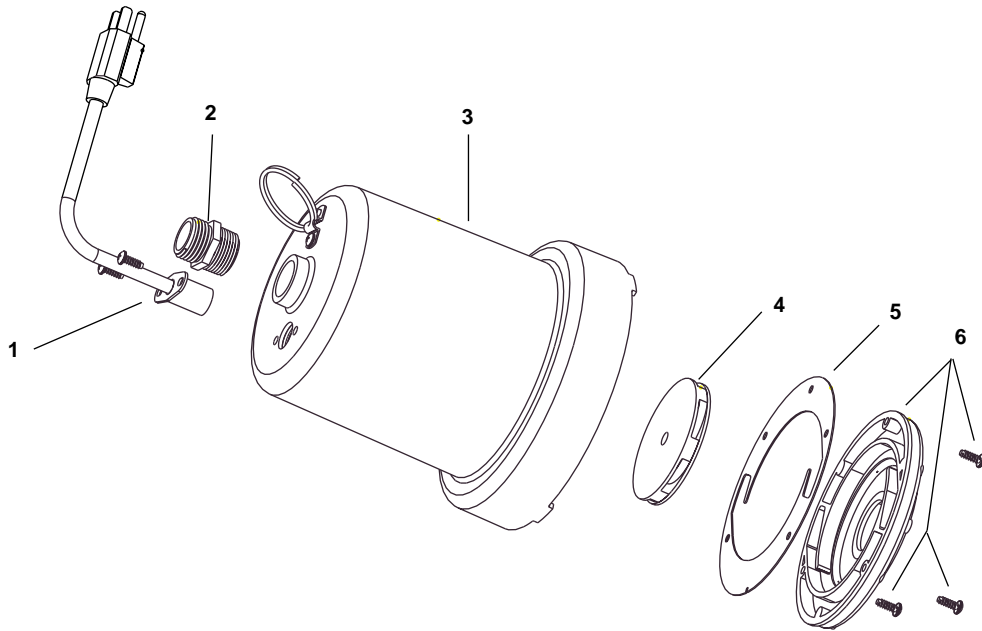
|          | SEP-500     |                       |
|----------|-------------|-----------------------|
| Ref. No. | Catalog No. | Description           |
| 1        | 90262       | Motor/Power Cord      |
| 2        | 90267       | #10-24 Hex Nut        |
| 3        | 90272       | #10 Split Lock Washer |
| 4        | 90277       | #10 Lock Washer       |
| 5        | 90282       | Motor housing gasket  |
| 6        | 90287       | Impeller              |
| 7        | 90292       | Volute                |
| 8        | 90297       | 1 Pint Dielectric Oil |
| 9        | 90302       | Mechanical Switch     |
| 10       | 90307       | 1/4" NPT Plug         |





**NOTE: Order parts by Catalog Number only.  
DO NOT order by Reference Number.**

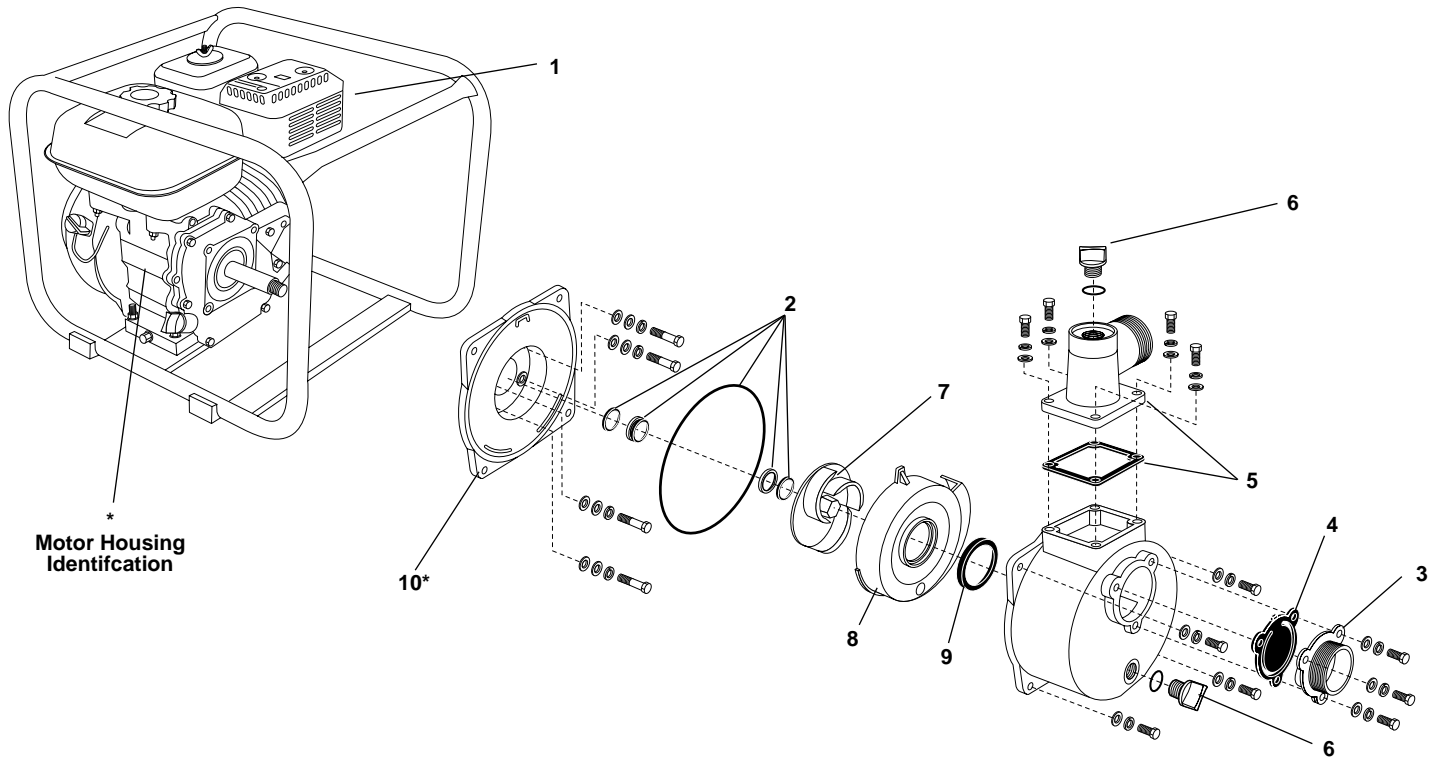
| <b>Ref. No.</b> | <b>Catalog No.</b> | <b>Description</b> |
|-----------------|--------------------|--------------------|
| 1               | 90207              | Motor Assembly Kit |
| 2               | 90212              | Volute Gasket Kit  |
| 3               | 90217              | Shaft Seal Kit     |
| 4               | 90222              | Impeller Kit       |
| 5               | 90232              | Volute Kit         |



**NOTE: Order parts by Catalog Number only.  
DO NOT order by Reference Number.**

| <b>Ref. No.</b> | <b>Catalog No.</b> | <b>Description</b>            |
|-----------------|--------------------|-------------------------------|
| 1               | 90172              | Power Cord Kit                |
| 2               | 90177              | Discharge Fitting Kit         |
| 3               | 90182              | Outer Housing with O-Ring Kit |
| 4               | 90187              | Impeller Kit                  |
| 5               | 90192              | Volute Gasket Kit             |
| 6               | 90197              | Volute Cover with screen Kit  |
| Not Shown       |                    |                               |
|                 | 90202              | Motor Kit                     |





\*  
Motor Housing  
Identification

|                 | TP-4000            | TP-5000            |                      |
|-----------------|--------------------|--------------------|----------------------|
| <b>Ref. No.</b> | <b>Catalog No.</b> | <b>Catalog No.</b> | <b>Description</b>   |
| 1               | 88492              | 88497              | Engine               |
| 2               | 88502              | 88507              | Shaft Seal Kit       |
| 3               | 88512              | 88517              | Suction Flange       |
| 4               | 88522              | 88527              | Flapper Check Valve  |
| 5               | 88532              | 88537              | Discharge Flange Kit |
| 6               | 88542              | 88542              | Drain/Fill Plug      |
| 7               | 88547              | 88552              | Impeller             |
| 8               | 16743              | 16748              | Wear Plate           |
| 9               | 16753              | 16758              | Volute Seal          |
| 10*             | 16763              | 16768              | Seal Plate (TX2)     |
| 11              | 16773              | 16778              | Seal Plate (WKT2)    |

\* Refer to Motor Housing Identification (TX2 or WKT2) For Proper Seal Plate. Seal Plates Are Not Interchangeable.



### ALABAMA

**BIRMINGHAM**, Alabama Jack  
1140 5th Ave. N., **35203**  
(205) 251-8156

### ARIZONA

† **PHOENIX**, Boerner Company  
2435 E. Indian School Rd., **85016**  
(602) 957-9710

**PHOENIX**, Glenn's Tool Service  
2149 E. Indian School Rd., **85016**  
(602) 264-6203

**PHOENIX**, Unicoa Industrial  
2224 N. 23rd Ave., **85009**  
(602) 254-4666

**TUCSON**, Western Tool, Inc.  
702 S. Campbell Ave., **85719**  
(520) 884-0504

### ARKANSAS

**LITTLE ROCK**, Clark Hydraulic Service  
2901 Confederate Blvd., **72206**  
(501) 375-1252 (800) 264-1252

### CALIFORNIA

† **ANAHEIM**, Drain Cleaner Service  
J. M. McKinney Co.  
2901 East Miraloma Ave. Unit 4, **92806**  
(800) 821-7275

**ANAHEIM**, Westside Building Material  
1111 East Howell Ave., **92815**  
(714) 385-1644

**BAKERSFIELD**, Bakersfield Tool Repair  
424 1/2 - 24th St., **93301**  
(661) 327-2820

**CORONA**, We-do Equipment Repair  
299 East Harrison, **92879**  
(909) 808-9167

**FRESNO**, Kimmerle Brothers, Inc.  
337 M St., **93721**  
(209) 233-1278

† **HAYWARD**, California Service Tool,  
26250-F Corporate Ave., **94545**  
(510) 782-1000

† **(LOS ANGELES) HAWTHORNE**, Drain Cleaner Service  
J. M. McKinney Co.  
12710 Yukon Ave., **90250**  
(800) 821-7275

**(LOS ANGELES) SANTA FE SPRINGS**,  
Kimmerle Brothers, Inc.  
12060 Florence Ave., **90670**  
(562) 946-6771

**(LOS ANGELES) N. HOLLYWOOD**,  
Bucknall Power Tool Service  
11910 Vose St., **91605**  
(818) 765-0228

**SACRAMENTO**, Valley Tool Repair  
4131-B Power Inn Road, **95826**  
(916) 737-6300

**SO. SAN FRANCISCO**, C. H. Bull Company  
233 Utah Ave., **94080**  
(650) 871-8440

### COLORADO

**DENVER**, Aviation Industrial  
3900 Ulster Street, **80207**  
(303) 355-2391

† **DENVER**, Runge Tool Company  
1330 South Inca Street, **80223**  
(303) 744-1224

### CONNECTICUT

**EAST HARTFORD**, Jossam Tool Repair  
411 Burnham St., **06108**  
(860) 289-4064

**HARTFORD**, Utility Electric Service  
53 Main St. (South End), **06106**  
(860) 246-7271

**NEW HAVEN**, Colony Hardware Supply  
15 Stiles Street, **06512**  
(203) 466-5252

**STRATFORD**, Electric Enterprise  
1410 Stratford Ave., **06497**  
(203) 378-7311

### DELAWARE

**NEW CASTLE**, MSC Holloway Bros. Tool  
19 East Commons Blvd., **19720**  
(302) 322-5441

### FLORIDA

**HOLLYWOOD**, National Tool Supply  
5725 W. Hallandale Beach Blvd., **33023**  
(800) 432-5078

**JACKSONVILLE**, Cameron & Barkley  
10200 Alton Box Rd., **32218**  
(904) 757-0211

**JACKSONVILLE**, Hughes Supply Company  
5311 Doolittle Road, **32254**  
(904) 388-8315

† Authorized SeeSnake Repair Center

† **(MIAMI) HIALEAH**, Creation Tool Co.  
3865 E. Fourth Ave., **33013**  
(305) 836-7488

**ORLANDO**, Contractors Tool Service  
5409 Edgewater Drive, **32810**  
(407) 292-2808

**PENNSACOLA**, Escambia Electric Motor Service  
1101 W. Main, **32501**  
(850) 432-1577

† **RIVIERA BEACH**, Action Bolt & Tool Co.  
2051 Blue Heron Blvd., **33404**  
(561) 845-8800 (800) 423-0700

† **TAMPA**, Mylee Tool Supply  
2905 W. Kennedy Blvd., **33609**  
(813) 877-0509 (800) 282-4474

### GEORGIA

**ATLANTA**, Boggs Supply, Inc.  
1310 White St., S.W., **30310**  
(404) 758-6321

† **ATLANTA**, Power Tool Service Co.  
1939 Hills Ave. N.W., **30318-2814**  
(404) 605-0101

† **SUWANEE**, Foster Group Sales, Inc.  
3630 Burnette Park Dr., Suite A, **30024**  
(678) 482-0044

### IDAHO

**BOISE**, K.C. Supply Company  
5103 Irving St., **83706**  
(208) 375-1313 (800) 446-9004

### ILLINOIS

† **CHICAGO**, Allan J. Coleman Co.  
5725 N. Ravenswood Ave., **60660**  
(773) 728-2400

† **(CHICAGO) BERWYN**, Jacks' Inc.  
6642 W. 26th St., **60402**  
(708) 788-4300 (800) 773-6899

**(CHICAGO) ELK GROVE VILLAGE**, Brock Tool Company  
1475 Louis Ave., **60007**  
(847) 956-7200 (800) 332-7625

**(CHICAGO) MCCOOK**, Recco Tool  
8805 Joliet, **60525**  
(708) 442-7850

### INDIANA

**EAST CHICAGO**, Calumet Contractors Supply Co, Inc.  
2120 E. Columbus Dr., **46312**  
(219) 398-0017

**EVANSVILLE**, Tri State Repair Service  
1327 N. Fares Ave. (Bus., Hiway 41 N.), **47711**  
(812) 464-9341 (800) 457-3749

**FORT WAYNE**, Mill Supplies, Inc.  
5105 Industrial Rd., **46825**  
(260) 484-8566 (800) 589-5353

**FORT WAYNE**, Wagner Electric of Fort Wayne, Inc.  
3610 N. Clinton St., **46805**  
(260) 484-5532

**INDIANAPOLIS**, Anderson Brothers Tool Co.  
3531 Southeastern Ave., **46203**  
(317) 356-6381

### IOWA

**DAVENPORT**, Alter & Sons  
514 S. Howell Street, **52802**  
(563) 323-3601 (800) 553-1111

**DES MOINES**, Tool Hospital  
1523 Second Ave., **50314**  
(515) 282-3323 (800) 753-3323

### KANSAS

**KANSAS CITY**, Acme Hydraulics, Inc.  
815 Kansas Ave., **66105**  
(913) 321-6385

### KENTUCKY

**LEXINGTON**, City Electric Motor Co.  
631 Kennedy Rd., **40511**  
(859) 254-5581

**LEXINGTON**, Jiffy Tool Repair  
1127 Commercial Drive, **40505**  
(859) 252-1849

**LOUISVILLE**, Bailey Tools & Supply  
1418 S. Shelby, **40217**  
(502) 635-6348 (800) 999-4533

### LOUISIANA

**BATON ROUGE**, Tool Shed, Inc.  
7835 Tom Dr., Suite A, **70806**  
(225) 926-6500 (800) 349-6501

† **(NEW ORLEANS) HARVEY**, Industrial Welding Supply  
1452 Fourth Street, **70058**  
(504) 362-9395

**NEW ORLEANS**, Beerman Precision, Inc.  
4206 Howard Ave., **70125**  
(504) 486-9391

### MAINE

**BANGOR**, N.H. Bragg & Sons  
92 Perry Road, **04401**  
(207) 947-8611

### MARYLAND

† **BALTIMORE**, Brock Tool & Supply  
1200 66th St., **21237**  
(410) 483-4300 (800) 275-2379

**UPPER MARLBORO**, Diamond Tool  
8051 Penn Randall Place, **20772**  
(301) 967-2844

### MASSACHUSETTS

**EVERETT**, Panda Electrical Service, Inc.  
165 Main St., **02149**  
(617) 389-1442

### MICHIGAN

**ANN ARBOR**, McCally Tool & Supply  
2451 S. Industrial Pkwy., Suite B, **48104**  
(734) 747-8332 (800) 535-6434

† **(DETROIT) LIVONIA**, Brock Tool  
31090 Industrial Rd., **48150**  
(734) 261-9333

**GRAND RAPIDS**, Hoeksema Tool Service, Inc.  
2499 28th St., S.W., **49509**  
(616) 538-1870

**KINGSFORD**, IDG  
1021 Pyle Drive, **49802**  
(906) 774-3991

### MINNESOTA

† **ST. PAUL**, Total Tool Supply Company  
315 N. Pierce St., **55104**  
(651) 646-4055 (800) 444-4899

### MISSISSIPPI

**JACKSON**, Flannigan Electric Co., Inc.  
1820 South West St., **39201**  
(601) 354-2756 (800) 962-7638

### MISSOURI

† **KANSAS CITY**, Construction & Ind., Sup., Co. (CISCO)  
1901 McGee St., **64108-1827**  
(816) 842-7777 (800) 444-0453

† **ST. LOUIS**, Cable Center, Drain Cleaner Service  
8318 Olive Blvd., **63132**  
(314) 993-3099

**ST. LOUIS**, PM Electric Co., Inc.  
5280 Fyler Ave., **63139**  
(314) 351-4550

**(ST. LOUIS) FENTON**, Shannon O'Tools  
1718 Chase Drive, **63026**  
(636) 349-0255 (800) 316-8665

### MONTANA

**BILLINGS**, Ted's Electric Service  
102 11th Street West, **59102**  
(406) 259-6418

### NEBRASKA

† **LINCOLN**, The Tool House of Henkle & Joyce  
800 Q Street, **68501**  
(402) 474-4638 (800) 279-2658

**OMAHA**, Thacker Electric  
8507 I St., **68127-1615**  
(402) 592-9433 (800) 678-7604

### NEVADA

† **LAS VEGAS**, Sewer Cable Equipment Co.  
6230 Greyhound Blvd. A, **89122**  
(702) 433-5401

**(Kollmann Only)**  
**LAS VEGAS**, Tool Service, Inc.  
3239 Industrial Rd., **89109**  
(702) 734-9161

**(RENO) SPARKS**, Industrial Equipment Co.  
310 Kresge Lane, **89431**  
(775) 331-1032

### NEW JERSEY

**(NEWARK) CLIFTON**, The Tool Box  
119 Lakeview Ave., **07011**  
(973) 340-7652

**(ELIZABETH) ROSELLE**, Air & Electric Tool Service  
130 West 3rd. Ave., **07203**  
(908) 241-6930

### NEW MEXICO

**ALBUQUERQUE**, Martin Saw & Tool  
3423 Vassar Avenue, N.E. **87107**  
(505) 888-1675

### NEW YORK

**(ALBANY) RENSSELAER**, Albany Hydraulic & Lube Serv Inc.  
98A Columbia Turnpike, **12144**  
(518) 462-5425

**BUFFALO**, S.S. Electric Repair Shop, Inc.  
2470 Seneca St., **14210**  
(716) 823-1232



# Independent Service Centers (cont.)

**(LONG ISLAND) HUNTINGTON STATION**, A&T Power Tools  
515 East Jericho Turnpike, **11746**  
(631) 271-2141

**(LONG ISLAND) WANTAGH**, Ace Tool Repair, Inc.  
2201 Wantagh Ave., **11793**  
(516) 783-8899

**(N.Y.C.) BRONX**, Modern Suppliers, Inc.  
1090 Leggett Ave., **10474**  
(718) 328-8000

**(N.Y.C.) BROOKLYN**, J & A Repair Shop  
6206 20th Ave., **11204**  
(718) 232-5746 / (718) 232-8409

**(N.Y.C.) BROOKLYN**, The White Tool & Supply, Inc.  
3047 Atlantic Ave., **11208**  
(718) 277-8844

† **(N.Y.C.) MASPETH**, Davis & Warshow  
57-22 49th Street, **11378-0039**  
(718) 937-9500 (888) 937-9500

† **ROCHESTER**, Hanes Supply Co.  
10 Cairn Street, **14611**  
(585) 235-0160

**SYRACUSE**, Syracuse Armature  
1622 Burnet Ave., **13206**  
(315) 476-2576 / 476-2596

## NORTH CAROLINA

**GREENSBORO**, ENSCO  
825 Norwalk St., **27407**  
(336) 292-9000 (800) 868-8828

## OHIO

**(CINCINNATI) HARRISON**, F & M Mafco  
9149 Dry Fork Road, **45030**  
(513) 367-2151

**CLEVELAND**, A & A Hydraulic Repair Co.  
5301 W. 161 St., **44142**  
(216) 362-4000

† **(CLEVELAND) ELYRIA**, RIDGID Factory Service Center  
321 Summer St., **44036-2023**  
(440) 323-5581

† **COLUMBUS**, Central Ohio Power Tool, Inc.  
1042 Dublin Rd., **43215**  
(614) 481-2111 (800) 242-4424

**DAYTON**, M & R Electric Motor Service  
1516 East Fifth St., **45403**  
(937) 222-6282 (800) 242-4424 (Ohio Only)

**TOLEDO**, A&C Tool & Equipment Repair  
1933 Starr Ave., **43605**  
(419) 698-5300

**YOUNGSTOWN**, Pennsylvania Tool Sales  
625 Bev Road, **44512**  
(330) 758-0845

## OKLAHOMA

**OKLAHOMA CITY**, Commercial Tool Repair, Inc.  
1829 Linwood, **73106**  
(405) 232-2158

**OKLAHOMA CITY**, Whitton Supply Co.  
1419 West Reno, **73106**  
(405) 236-5561

## OREGON

**PORTLAND**, Karn Repair Service  
1705 NW 14th Avenue, **97207**  
(503) 228-8313

## PENNSYLVANIA

† **(HARRISBURG) MECHANICSBURG**,  
Power Tool Service Company  
101 Westley Drive, **17055**  
(717) 766-7636 (800) 382-1311

**PHILADELPHIA**, Laman Loesche Supply Co.  
302 Moore Street, **19148**  
(215) 467-6200

**PHILADELPHIA**, Regent Hydraulic & Machine Works, Inc.  
4051 Cresson Street, **19127**  
(215) 482-2050

**(PHILADELPHIA) CHESTER**, Jekk Tools & Fasteners  
729 West 2nd Street, **19013**  
(610) 874-6200

**PITTSBURGH**, CTS Incorporated  
3500 Liberty Ave., **15201**  
(412) 681-6673

† **PITTSBURGH**, H K McJunkin Inc.  
7724 Edgewood Ave., **15218**  
(412) 271-5400

**(Kollmann Only)**  
**PITTSBURGH**, Scott Electric Co.  
39th & Butler Street, **15201**  
(412) 687-5005

**(PITTSBURGH) NEVILLE ISLAND**,  
Construction Rental & Supply  
5601 Grand Ave., **15225**  
(412) 269-9109

**YORK**, General Tool & Repair, Inc.  
2449 S. Queen St., **17402**  
(717) 741-9592

† **(PITTSBURGH) NEVILLE ISLAND**,  
Construction Rental & Supply  
5601 Grand Ave., **15225**  
(412) 269-9109

**YORK**, General Tool & Repair, Inc.  
2449 S. Queen St., **17402**  
(717) 741-9592

† Authorized SeeSnake Repair Center

## PUERTO RICO

**RIO PIEDRAS**, Isla Supply Corp.  
Carretera 181 KM1.8,  
Expreso Trujillo Alto, **00929**  
(787) 761-7355

**RIO PIEDRAS**, Ferretaria Abraham Inc.  
Calle 16 S.O. 1534  
Caparra Terrace, **00922**  
(787) 782-6033

## RHODE ISLAND

**(PROVIDENCE) WARWICK**, Electric Motor Service, Inc.  
3070 Post Rd., **02886**  
(401) 737-2534

## SOUTH CAROLINA

**WEST COLUMBIA**, Mann Tool & Supply  
802 Chris Drive, **29169**  
(803) 252-7777 (800) 356-6266

**GREENVILLE**, Ameco  
2106 Anderson Road, **29611**  
(864) 295-7800

## TENNESSEE

**KNOXVILLE**, Tennessee Armature & Electric Co., Inc.  
3101 Galway St. **37917-6155**  
(423) 524-3681

**MEMPHIS**, Jones Tool Service  
1314 Madison Ave., **38104**  
(901) 726-0191/0195

**NASHVILLE**, Hermitage Tool, Inc.  
1034 4th Ave., S., **37210**  
(615) 254-0820

**NASHVILLE**, Reeves Power Tools & Repair  
108 Lafayette St., **37210**  
(615) 256-8817

## TEXAS

† **AUSTIN**, Austin Tool, Inc.  
210 Industrial Blvd., **78745**  
(512) 447-4905

**CORPUS CHRISTI**, Bush Hydraulics  
2012 N. Lexington Blvd., **78409**  
(512) 289-0441 (800) 580-2874

† **DALLAS**, Big D Tool Center, Inc.  
2535 Irving Blvd., **75207**  
(214) 631-3731

**HOUSTON**, Hydraulic Equipment Service Co.  
1021 N. San Jacinto St., **77002**  
(713) 228-9601

† **HOUSTON**, Tool Mart, Inc.  
2412 Texas Ave., **77003**  
(713) 222-8665

**LUBBOCK**, Lubbock Electric Company, Inc.  
1108 34th St., **79405**  
(806) 744-2336

**MCALLEN**, Rio Grande Plumbing Supply  
1010 East Pecan, **78502**  
(956) 686-9557

**ODESSA**, Engine Service & Supply Company  
1902 N. Andrews Highway, **79761**  
(915) 337-2386 (800) 441-0636

**SAN ANTONIO**, Electric Motor Service & Sales  
1514 E. Commerce, **78205**  
(210) 226-3462

**SAN ANTONIO**, Tool Mart Inc.  
10568 Sentinal Street, **78217**  
(210) 655-6116

## UTAH

**SALT LAKE CITY**, Diamond Electric Motor Repair  
1465 South 300 West, **84115**  
(801) 484-4325 (888) 485-4325

## VERMONT

**SOUTH BARRE**, Reynolds & Sons Inc.  
Bridge Street, **05670**  
(802) 479-0101

## VIRGINIA

**NORFOLK**, Bryan Electric Company, Inc.  
424 W. 25th St., **23517**  
(757) 625-2525

**RICHMOND**, Brock Tool & Supply  
2500 Glen Center St., **23223**  
(804) 648-7004

**RICHMOND**, Roy's Electric Motor Service  
3201 Norfolk St., **23230**  
(804) 355-5713

**ROANOKE**, Magic City Supply, INC.  
1603 Granby St. NE, **24012**  
(540) 985-0822

## WASHINGTON

**SPOKANE**, Safway Repair Company  
1507 E. Riverside, **99220**  
(509) 535-9841 (800) 348-4808

**TACOMA**, Center Electric Co.  
1212 S. 30th St., **98409**  
(253) 383-4416

† **SEATTLE**, Poppleton Electric & Machinery Co., Inc.  
969 South Nebraska St., **98108**  
(206) 762-9160

## WEST VIRGINIA

**(CHARLESTON) POCA**, Ohio Tool Systems, Inc.  
305 Jacobson Drive, **25159**  
(304) 755-5030

**HUNTINGTON**, Lawter Electric Motor Co.  
202 Adams Ave., **25701**  
(304) 522-8297

## WISCONSIN

**GREEN BAY**, Power Tool Service  
300 N. Webster Ave., **54301**  
(920) 437-2594

† **PEWAUKEE**, Jensen Equipment Co., Inc.  
N.27 W23015 Roundy Dr., **53072**  
(262) 547-5548 (800) 875-8875

## CANADA

### ALBERTA

**CALGARY**, K & M Saw Sharpening and Power Tool Repair  
Bay 7, 5508 1st St., S.E., **T2H 2W9**  
(403) 255-2282

**EDMONTON**, Century Vallen  
4810 - 92 Ave., **T6B 2X4**  
(780) 468-3366

† **EDMONTON**, Celtic Industrial Tools Ltd.  
5736 - 130A St., **T6H 2J5**  
(780) 431-0970

### BRITISH COLUMBIA

**LANGLEY**, AC Power Tool Clinic Ltd.  
105 19835 56th Ave., **V3A 3Y1**  
(604) 530-3550

† **VANCOUVER**, Armature Electric Ltd.  
275 West 4th Ave., **V5Y 1G8**  
(604) 879-6141

### MANITOBA

**WINNIPEG**, Wolseley Industrial Products  
1300 St. Matthews Ave., **R3G 3K4**  
(204) 786-7861

### NOVA SCOTIA

**DARTMOUTH**, K&D Pratt Ltd.  
617 Windmill Road, **B2Y 3Y3**  
(902) 468-1955

**HALIFAX**, Maritime Lawn & Garden  
2756 Gladstone St., **B3K 4W5**  
(902) 455-0208

### ONTARIO

**LONDON**, A. C. Jenkins Electric Repair Ltd.  
1188 Frances St., **N5W 2M1**  
(519) 451-4020

**OTTAWA**, Mytek Power Tools Service  
2535 Blackwell St. Unit 110, **K1B 4E4**  
(613) 749-7294

**(HAMILTON) STONEY CREEK**, Charles Jones Industrial Ltd.,  
237 Arvin Ave., **L8E 5S6**  
(905) 664-8448

**SARNIA**, Serv-A-Tool & Repairs  
866 Philip St., Unit F, **N7T 1Z6**  
(519) 344-8837

† **(TORONTO) WESTON**,  
Pipe Tools Repair & Service Centre Ltd.  
114 Rivalda Rd., **M9M 2M8**  
(416) 749-5830

### PRINCE EDWARD ISLAND

**CHARLOTTETOWN**, CTF Supply  
3 Macauland Road, **C1A 8C1**  
(902) 368-1132

### QUEBEC

**QUEBEC CITY**, Clinique D'Outillage MP, Inc.  
3075 Boulevard Hamel, Apt. 107, **G1P 4C6**  
(418) 877-3371

**MONTREAL**, Leger Hoist Equipment, Inc.  
7995 17th Ave., **H1Z 3R2**  
(514) 376-3050

† **(MONTREAL) LAVAL**,  
Centre de Reparations Hydrauliques Uptown Ltee  
1213 Rue Tellier, **H7C 2H1**  
(450) 664-1111 or 1-800-363-7956

**SHERBROOKE**, Do-Mar Electrique Inc.  
1136 Rue King Est, **J1G 1E4**  
(819) 563-2234







**What is covered**

RIGID® tools are warranted to be free of defects in workmanship and material.

**How long coverage lasts**

This warranty lasts for the lifetime of the RIDGID® tool. Warranty coverage ends when the product becomes unusable for reasons other than defects in workmanship or material.

**How you can get service**

To obtain the benefit of this warranty, deliver via prepaid transportation the complete product to RIDGE TOOL COMPANY, Elyria, Ohio, or any authorized RIDGID® INDEPENDENT SERVICE CENTER. Pipe wrenches and other hand tools should be returned to the place of purchase.

**What we will do to correct problems**

Warranted products will be repaired or replaced, at RIDGE TOOL'S option, and returned at no charge; or, if after three attempts to repair or replace during the warranty period the product is still defective, you can elect to receive a full refund of your purchase price.

**What is not covered**

Failures due to misuse, abuse or normal wear and tear are not covered by this warranty. RIDGE TOOL shall not be responsible for any incidental or consequential damages.

**How local law relates to the warranty**

Some states do not allow the exclusion or limitation of incidental or consequential damages, so the above limitation or exclusion may not apply to you. This warranty gives you specific rights, and you may also have other rights, which vary, from state to state, province to province, or country to country.

**No other express warranty applies**

This FULL LIFETIME WARRANTY is the sole and exclusive warranty for RIDGID® products. No employee, agent, dealer, or other person is authorized to alter this warranty or make any other warranty on behalf of the RIDGE TOOL COMPANY.

**Ce qui est couvert**

Les outils RIDGE® sont garantis contre tous vices de matériaux et de main d'oeuvre.

**Durée de couverture**

Cette garantie est applicable durant la vie entière de l'outil RIDGE®. La couverture cesse dès lors que le produit devient inutilisable pour raisons autres que des vices de matériaux ou de main d'oeuvre.

**Pour invoquer la garantie**

Pour toutes réparations au titre de la garantie, il convient d'expédier le produit complet en port payé à la RIDGE TOOL COMPANY, Elyria, Ohio, ou bien le remettre à un réparateur RIDGID® agréé. Les clés à pipe et autres outils à main doivent être ramenés au lieu d'achat.

**Ce que nous ferons pour résoudre le problème**

Les produits sous garantie seront à la discrétion de RIDGE TOOL, soit réparés ou remplacés, puis réexpédiés gratuitement ; ou si, après trois tentatives de réparation ou de remplacement durant la période de validité de la garantie le produit s'avère toujours défectueux, vous aurez l'option de demander le remboursement intégral de son prix d'achat.

**Ce qui n'est pas couvert**

Les défaillances dues au mauvais emploi, à l'abus ou à l'usure normale ne sont pas couvertes par cette garantie. RIDGE TOOL ne sera tenue responsable d'aucuns dommages directs ou indirects.

**L'influence de la législation locale sur la garantie**

Puisque certaines législations locales interdisent l'exclusion des dommages directs ou indirects, il se peut que la limitation ou exclusion ci-dessus ne vous soit pas applicable. Cette garantie vous donne des droits spécifiques qui peuvent être éventuellement complétés par d'autres droits prévus par votre législation locale.

**Il n'existe aucune autre garantie expresse**

Cette GARANTIE PERPETUELLE INTEGRALE est la seule et unique garantie couvrant les produits RIDGID®. Aucun employé, agent, distributeur ou tiers n'est autorisé à modifier cette garantie ou à offrir une garantie supplémentaire au nom de la RIDGE TOOL COMPANY.

**Qué cubre**

Las herramientas RIDGID están garantizadas contra defectos de la mano de obra y de los materiales empleados en su fabricación.

**Duración de la cobertura**

Esta garantía cubre a la herramienta RIDGID durante toda su vida útil. La cobertura de la garantía caduca cuando el producto se torna inservible por razones distintas a las de defectos en la mano de obra o en los materiales.

**Cómo obtener servicio**

Para obtener los beneficios de esta garantía, envíe mediante porte pagado, la totalidad del producto a RIDGE TOOL COMPANY, en Elyria, Ohio, o a cualquier Servicentro Independiente RIDGID. Las llaves para tubos y demás herramientas de mano deben devolverse a la tienda donde se adquirieron.

**Lo que hacemos para corregir el problema**

El producto bajo garantía será reparado o reemplazado por otro, a discreción de RIDGE TOOL, y devuelto sin costo; o, si aún resulta defectuoso después de haber sido reparado o sustituido tres veces durante el período de su garantía, Ud. puede optar por recibir un reembolso por el valor total de su compra.

**Lo que no está cubierto**

Esta garantía no cubre fallas debido al mal uso, abuso o desgaste normal. RIDGE TOOL no se hace responsable de daño incidental o consiguiente alguno.

**Relación entre la garantía y las leyes locales**

Algunos estados de los EE.UU. no permiten la exclusión o restricción referente a daños incidentales o consiguientes. Por lo tanto, puede que la limitación o restricción mencionada anteriormente no rija para Ud. Esta garantía le otorga derechos específicos, y puede que, además, Ud. tenga otros derechos, los cuales varían de estado a estado, provincia a provincia o país a país.

**No rige ninguna otra garantía expresa**

Esta GARANTIA VITALICIA es la única y exclusiva garantía para los productos RIDGID. Ningún empleado, agente, distribuidor u otra persona está autorizado para modificar esta garantía u ofrecer cualquier otra garantía en nombre de RIDGE TOOL COMPANY.

