

K-60SP

Drain Cleaning Machine

OPERATOR'S MANUAL

- Français – 15
- Castellano – pág. 31



WARNING!

Read this Operator's Manual carefully before using this tool. Failure to understand and follow the contents of this manual may result in electrical shock, fire and/or serious personal injury.

RIDGID®

Table of Contents

Recording Form for Machine Serial Number	1
General Safety Information	
Work Area Safety	2
Electrical Safety.....	2
Personal Safety	2
Tool Use and Care	3
Service	3
Specific Safety Information	
Drain Cleaner Safety	3
Description, Specifications and Standard Equipment	
Description	4
Specifications	4
Standard Equipment.....	4
Machine Inspection	5
Machine Setup	5
Operating Instructions	7
Special Procedures	
Reverse Operating Instructions.....	8
Jaw Set Adjustment.....	8
Accessories	9
Maintenance Instructions	
Lubrication	10
Cables	10
Clutch Jaw Assembly	10
Drive Belt Replacement.....	11
Machine Storage	12
Service and Repairs	12
Wiring Diagrams	13
Lifetime Warranty	Back Cover



K-60SP Drain Cleaning Machine



K-60SP Drain Cleaning Machine	
Record Serial Number below and retain product serial number which is located on nameplate.	
Serial No.	

General Safety Information

WARNING! Read and understand all instructions. Failure to follow all instructions listed below may result in electric shock, fire, and/or serious personal injury.

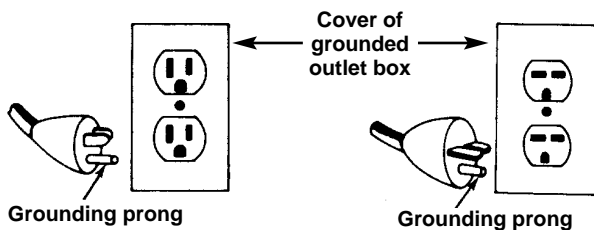
SAVE THESE INSTRUCTIONS!

Work Area Safety

- **Keep your work area clean and well lit.** Cluttered benches and dark areas invite accidents.
- **Do not operate tools in explosive atmospheres, such as in the presence of flammable liquids, gases, or dust.** Tools create sparks which may ignite the dust or fumes.
- **Keep bystanders, children, and visitors away while operating a tool.** Distractions can cause you to lose control.

Electrical Safety

- **Grounded tools must be plugged into an outlet, properly installed and grounded in accordance with all codes and ordinances. Never remove the grounding prong or modify the plug in any way. Do not use any adapter plugs. Check with a qualified electrician if you are in doubt as to whether the outlet is properly grounded.** If the tool should electrically malfunction or break down, grounding provides a low resistance path to carry electricity away from the user.



- **Avoid body contact with grounded surfaces such as pipes, radiators, ranges and refrigerators.** There is an increased risk of electrical shock if your body is grounded.
- **Do not expose electrical tools to rain or wet conditions.** Water entering a tool will increase the risk of electrical shock.
- **Do not abuse cord. Never use the cord to carry the tools or pull the plug from an outlet. Keep cord away from heat, oil, sharp edges or moving parts. Replace damaged cords immediately.** Damaged cords increase the risk of electrical shock.
- **When operating a tool outside, use an outdoor extension cord marked “W-A” or “W”.** These cords

are rated for outdoor use and reduce the risk of electrical shock.

- **Use only three-wire extension cords which have three-prong grounding plugs and three-pole receptacles which accept the tool’s plug.** Use of other extension cords will not ground the tool and increase the risk of electrical shock.
- **Use proper extension cords.** (See chart.) Insufficient conductor size will cause excessive voltage drop, loss of power.

Minimum Wire Gauge for Extension Cord			
Nameplate Amps	Total Length (in feet)		
	0 – 25	26 – 50	51 – 100
0 – 6	18 AWG	16 AWG	16 AWG
6 – 10	18 AWG	16 AWG	14 AWG
10 – 12	16 AWG	16 AWG	14 AWG
12 – 16	14 AWG	12 AWG	NOT RECOMMENDED

- **Before using, test the Ground Fault Circuit Interrupter (GFCI) provided with the power cord to insure it is operating correctly.** GFCI reduces the risk of electrical shock.
- **Extension cords are not recommended unless they are plugged into a Ground Fault Circuit Interrupter (GFCI) found in circuit boxes or outlet receptacles.** The GFCI on the machine power cord will not prevent electrical shock from the extension cords.
- **Keep all electric connections dry and off the ground. Do not touch plug with wet hands.** Reduces the risk of electrical shock.

Personal Safety

- **Stay alert, watch what you are doing and use common sense when operating a power tool. Do not use tool while tired or under the influence of drugs, alcohol, or medications.** A moment of inattention while operating power tools may result in serious personal injury.
- **Dress properly. Do not wear loose clothing or jewelry. Contain long hair. Keep your hair, clothing, and gloves away from moving parts.** Loose clothes, jewelry, or long hair can be caught in moving parts.
- **Avoid accidental starting. Be sure switch is OFF before plugging in.** Carrying tools with your finger on the switch or plugging tools in that have the switch ON invites accidents.
- **Remove adjusting keys or wrenches before turning the tool ON.** A wrench or a key that is left attached to a rotating part of the tool may result in personal injury.

- **Do not overreach. Keep proper footing and balance at all times.** Proper footing and balance enables better control of the tool in unexpected situations.
- **Use safety equipment. Always wear eye protection.** Dust mask, non-skid safety shoes, hard hat, or hearing protection must be used for appropriate conditions.

Tool Use and Care

- **Use clamp or other practical way to secure and support the workpiece to a stable platform.** Holding the work by hand or against your body is unstable and may lead to loss of control.
- **Do not force tool. Use the correct tool for your application.** The correct tool will do the job better and safer at the rate for which it is designed.
- **Do not use tool if switch does not turn it ON or OFF.** Any tool that cannot be controlled with the switch is dangerous and must be repaired.
- **Disconnect the plug from the power source before making any adjustments, changing accessories, or storing the tool.** Such preventive safety measures reduce the risk of starting the tool accidentally.
- **Store idle tools out of the reach of children and other untrained persons.** Tools are dangerous in the hands of untrained users.
- **Maintain tools with care. Keep cutting tools sharp and clean.** Properly maintained tools with sharp cutting edges are less likely to bind and are easier to control.
- **Check for misalignment or binding of moving parts, breakage of parts, and any other condition that may affect the tools operation.** If damaged, have the tool serviced before using. Many accidents are caused by poorly maintained tools.
- **Use only accessories that are recommended by the manufacturer for your model.** Accessories that may be suitable for one tool may become hazardous when used on another tool.
- **Keep handles dry and clean; free from oil and grease.** Allows for better control of the tool.

Service

- **Tool service must be performed only by qualified repair personnel.** Service or maintenance performed by unqualified repair personnel could result in injury.
- **When servicing a tool, use only identical replacement parts. Follow instructions in the Maintenance Section of this manual.** Use of unauthorized parts or failure to follow maintenance instructions may create a risk of electrical shock or injury.

Specific Safety Information

▲ WARNING

Read this operator's manual carefully before using the K-60SP Drain Cleaner. Failure to understand and follow the contents of this manual may result in electrical shock, fire and/or serious personal injury.

Call the Ridge Tool Company, Technical Service Department at (800) 519-3456 if you have any questions.

Drain Cleaner Safety

- **Wear leather mitt provided with the machine. Never grasp a rotating cable with a rag or loose fitting cloth glove.** Could become wrapped around the cable and cause serious injury.
- **Never operate machine with guards or covers removed.** Fingers can be caught in rotating parts.
- **Do not overstress cables. Keep one hand on the cable for control when machine is running.** Overstressing cables because of obstruction may cause twisting, kinking or breaking of the cable and result in serious injury.
- **Position machine within two feet of inlet.** Greater distances can result in cable twisting or kinking.
- **Use Rear Guide Hose.** Prevents cable whipping and possible entanglement.
- **Do not operate machine in (REV) reverse.** Operating machine in reverse can result in cable damage and is used only to back tool out of an obstruction.
- **Do not operate machine with clutch handle locked in place.** Clutch is a safety device designed to stop the rotation of cable.
- **Be careful when cleaning drains where cleaning compounds have been used. Avoid direct contact with skin and eyes.** Serious burns can result from some drain cleaning compounds.
- **Do not operate machine if operator or machine is standing in water.** Will increase the risk of electrical shock.
- **Wear safety glasses and rubber soled, non-slip shoes.** Use of this safety equipment may prevent serious injury.
- **Only use the K-60SP to clean drain lines up to 4" in diameter. Follow instructions on the use of the machine.** Other uses or modifying the drain cleaner for other applications may increase the risk of injury.

Description, Specifications and Standard Equipment

Description

The RIDGID K-60SP is a portable Drain Cleaning Machine designed to clean 1 1/4" to 4" drain lines. Applications include laundry tubs, floor drains, roof vents and stack lines. Rear handle allows for transporting up ladders and cleaning roof-top vent stacks.

The machine is driven by a 1/2 HP motor that has a grounded electrical system. An integral Ground Fault Interrupter (GFCI) is built into the line cord. A toggle switch provides FOR/OFF/REVERSE control of the motor.

The K-60SP is designed to use sectional-type cable that has a quick change coupling system for disconnecting tools. The cable is manually fed in and out of the drain and rotates at a speed of 600 RPM. The rotation of the cable is controlled by a clutch handle. The cable stops instantly when the clutch handle is released. An adjustment knob allows the K-60SP to use both 5/8" and 7/8" sectional cable.

Specifications

Line Capacity Depends on choice of cable.
Refer to the following chart for recommendations.

Recommended Line Size and Reach

Cable Size	Line Size	Reach
5/8" Cable	1 1/4 - 4	125'
7/8" Cable	2 - 4	150'

Cable Sizes 7/8" and 5/8" sectional

Cable Speed 600 rpm

Motor

Type 115V/60 Hz, Reversible

Rating 1/2 HP

Amps 7

Weight 43 lbs. (19,5 kgs.)

Dimensions:

Length 18.0" (450mm)

Width 9.5" (240mm)

Height 14.0" (356mm)

Standard Equipment

Model No.	Description
K-60SP	K-60SP Sectional Machine 115 volts/60 Hz includes: A-1 Operator's Mitt A-60-12 Rear Guide Hose



Figure 1 – K-60SP Drain Cleaner

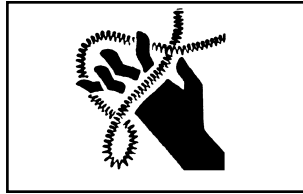
K-60SP-SE	K-60SP as above, plus: A-61 Tool Kit: – T-101 Straight Auger – T-102 Funnel Auger – T-107 Spade Cutter – T-125 Retrieving Auger – T-150-1 Sharktooth Cutter – A-3 Tool Box – A-12 Pin Key A-62 Cable Kit: – Five Sections C-10, 7/8"x15' Cable – A-8 Cable Carrier
-----------------	------------------------------------------------------------------------------------------------------------------------------------------------------------------------------------------------------------------------------------------------------------------------------------------------------------



Figure 2 – K-60SP-SE Drain Cleaner

Machine Inspection

▲ WARNING



To prevent serious injury, inspect your Drain Cleaning Machine. The following inspection procedures should be performed before each use.

1. Make sure the Drain Cleaning Machine is unplugged and the directional switch is set to the **OFF** position (Figure 3).
2. Inspect the power cord, Ground Fault Circuit Interrupter (GFCI) and plug for damage. If the plug has been modified, is missing the grounding prong or if the cord is damaged, do not use the Drain Cleaning Machine until the cord has been replaced.

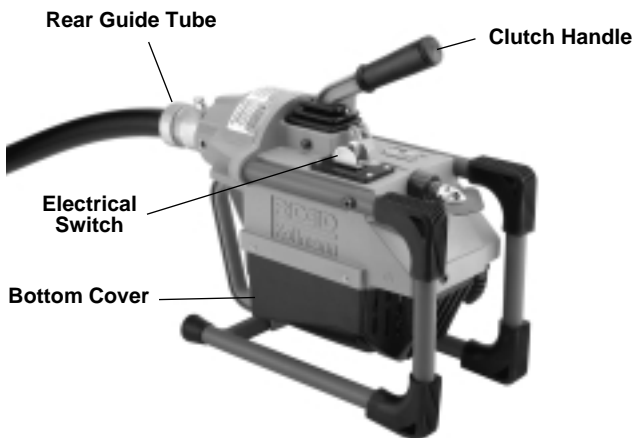


Figure 3 – K-60SP Drain Cleaner

3. Check bottom cover to insure it is properly fastened to the frame.

▲ WARNING Do not operate this machine without the bottom cover attached. Fingers can be caught in rotating parts.

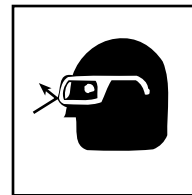
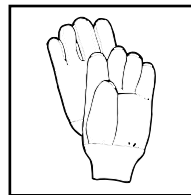
4. Inspect the Drain Cleaning Machine for any broken, missing, misaligned or binding parts as well as any other conditions which may affect the safe and normal operation of the machine. If any of these conditions are present, do not use the Drain Cleaning Machine until any problem has been repaired.
5. Lubricate the Drain Cleaning Machine, if necessary, according to the Maintenance Instructions.

6. Use tools and accessories that are designed for your drain cleaner and meet the needs of your application. The correct tools and accessories allow you to do the job successfully and safely. Accessories suitable for use with other equipment may be hazardous when used with this drain cleaner.
7. Clean any oil, grease or dirt from all equipment handles and controls. This reduces the risk of injury due to a tool or control slipping from your grip.
8. Inspect the cutting edges of your tools. If necessary, have them sharpened or replaced prior to using the Drain Cleaning Machine. Dull or damaged cutting tools can lead to binding and cable breakage.
9. Inspect cables and couplings for wear and damage. Cables should be replaced when they become severely worn or corroded. A worn cable can be identified when the outside coils become flat.

▲ WARNING Worn or damaged cables can break causing serious injury.

Machine Set-Up

▲ WARNING



Do not place machine in water. Water entering the motor can result in electrical shock.

To prevent serious injury, proper set-up of the machine and work area is required. The following procedures should be followed to set-up the machine:

1. Check work area for:
 - Adequate lighting
 - Grounded electrical outlet
 - Clear path to the electrical outlet that does not contain any sources of heat or oil, sharp edges or moving parts that may damage electrical cord.
 - Dry place for machine and operator. Do not use the machine while standing in water.
 - Flammable liquids, vapors or dust that may ignite.
2. Position the Drain Cleaning Machine within 2' of sewer inlet. Greater distance can result in cable twisting or kinking.
3. Remove the pin key from the clutch handle. With

pin key removed, handle should be in its upper-most position.

NOTE! When not in use, the clutch handle should be in its locked (down) position in order to protect the handle and to allow the operator to carry the unit by the clutch handle if desired.

4. Make sure FOR/OFF/REV switch is in the **OFF** position.



Figure 4 – Rear Guide Hose Attachment

5. Attach the rear guide hose by lifting up the lock pin and sliding guide hose onto the jaw housing adjustment knob (Figure 4).

▲ WARNING Do not use machine without rear guide hose attached. Prevents cable whipping and possible entanglement.

6. Insert first cable into front of machine (female end first) and push through guide hose until approximately one foot remains out the front of the machine (Figure 5).



Figure 5 – Inserting Cable Into Front Of Machine

▲ WARNING Never couple more than one cable at a time. Cable will extend behind rear guide tube.

NOTE! Adjust the jaw set as required. The K-60SP has a jaw set adjustment which allows the machine to accept 5/8" and 7/8" diameter cable. Refer to "Special Procedures" section.

7. Select and install the proper tool to the end of the cable. The T-Slot Coupler allows the tool to be snapped into the cable coupler (Figure 6). To remove tool, use the pin key to depress the plunger and slide the coupling apart.

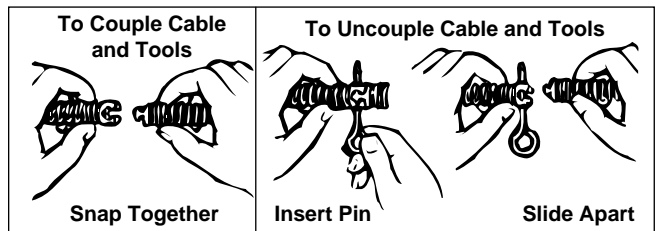


Figure 6 – Coupling and Uncoupling Tools

NOTE! Proper Tool Selection

A good rule of thumb is to use a tool at least 1" smaller than the line to be cleaned. The style of the tool is determined by the nature of the job and is left up to the operator.

8. Plug the Drain Cleaning Machine into the electrical outlet, making sure to position the power cord along the clear path selected earlier. If the power cord does not reach the outlet, use an extension cord in good condition.

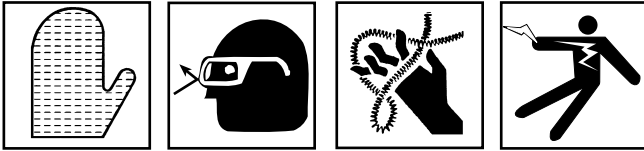
▲ WARNING To avoid electric shock and electrical fires, never use an extension cord that is damaged or does not meet the following requirements:

- The cord has a three-prong plug similar to shown in Electrical Safety section.
- The cord is rated as "W" or "W-A" if being used outdoors.
- The cord has sufficient wire thickness (16 AWG below 50'/14 AWG 50' - 100'). If the wire thickness is too small, the cord may overheat, melting the cord's insulation or causing nearby objects to ignite.

▲ WARNING To reduce risk of electrical shock, keep all electrical connections dry and off the ground. Do not touch plug with wet hands. Test the Ground Fault Circuit Interrupter (GFCI) provided with the electric cord to insure it is operating correctly. When test button is pushed in, the indicator light should go off. Reactivate by pushing the reset button in. If indicator light goes on, the machine is ready to use. If the GFCI does not function correctly, do not use the machine.

Operating Instructions

▲ WARNING



Wear mitts with rivets provided with machine. Never grasp a rotating cable with a rag or loose fitting cloth that may become wrapped around the cable causing serious injury.

Always wear eye protection to protect your eyes against dirt and other foreign objects. Wear rubber soled, non-slip shoes.

Be very careful when cleaning drains where cleaning compounds have been used. Wear gloves when handling cable and avoid direct contact to the skin and especially the eyes and facial area as serious burns can result.

Do not operate with clutch handle locked in place. Clutch is a safety feature designed to stop rotation of cable when released.

CAUTION It is very important to know approximate distance from inlet to main sewer or septic tank. Over-running cable too far into main sewer or septic tank can cause cables to knot up and prevent their return through small line.

1. Assume the correct operating posture in order to maintain proper balance (*Figure 7*).

▲ WARNING Should an unexpected situation arise, this posture provides you with the opportunity to safely keep control of the machine and cable.

- Be sure you can quickly release the clutch handle.
- Hand must be on the cable to control its twisting action when it hits an obstruction.
- Must have access to FOR/OFF/REVERSE switch.



Figure 7 – Proper Operating Position

2. Pull sufficient cable out of the machine to start tool and cable into the sewer inlet. If going through a “P” trap, push cable into inlet as far as it will go.
3. Pull enough extra cable through machine to form almost a half circle between machine and line opening.
4. Hold cable loosely in mitted hand. Put FOR/OFF/REVERSE switch in FOR (forward) position.

NOTE! The motor will start but cable will not rotate.

5. With mitted hand on cable, push down on clutch handle with opposite hand to engage cable. Push down on top of the cable loop with a definite snap to advance the cable.

NOTE! A slow or gradual engaging of the clutch handle causes excessive wear of the jaw set. The clutch is instant-acting and returning clutch handle to its original position frees cable instantly.

6. As soon as excess cable has gone into line, release clutch handle and pull six to ten inches of cable out of machine with mitted hand.
7. Continue to feed the cable into the line until resistance or obstruction is encountered. This will become apparent to operator as it will be difficult to feed additional cable into line and/or the cable will have a tendency to twist sideways in operator’s hands.
8. If cable loads down in the obstruction, relieve load by pulling back on cable with short, quick jerks to free cutter. Slowly advance cable back into the obstruction. Repeat this process until the obstruction is clear. Remember, make sure the cutter is rotating at all times and never force the cable. At this point, progress depends upon the sharpness of the tool and nature of the obstruction.

▲ WARNING

Do not allow tension to build up in the cable. This will happen if the cutting tool hits a snag and stops turning, but the motor and cable continue to rotate. Torque builds until the cable suddenly twists, potentially wrapping around your hand or arm. This can happen quickly and without warning, so proceed slowly and carefully as you feed the cable into the drain. Releasing clutch handle will stop the cable rotating and releases the torque. If tool gets hung up in an obstruction, refer to Reverse Operating Instructions in the “Special Procedures” section.

9. Once obstruction is cleared, it is recommended that operator flush debris from line with running water. Repeat *Step 8* several times if necessary for thorough cleaning job and then work cable through additional stoppages as required.

10. To add cable, the following procedure should be followed:

- After reaching the end of each cable section, turn the machine OFF.
- Secure the cable by looping it in the line (Figure 8). This procedure is especially useful when cleaning a line has a large slope.

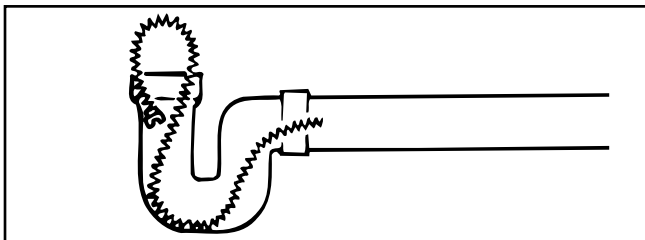


Figure 8 – Looping Cable In Line

- With line secured, insert another section of cable in through the front of the machine (female end first) until approximately one foot remains out the front of the machine.
- Attach cable to cable in line and resume operation.

11. To retrieve cable from drain line, the following procedure should be followed:

- Leave FOR/OFF/REV switch in FOR (forward) position.
- Push down on clutch handle to engage cable. With mitted hand pull cable out of line (if possible) or hold cable against edge of inlet to thread the cable out until loop forms in front of the machine.

NOTE! By holding the cable against the edge of the inlet, the rotation will rapidly “thread” the cable out of the line.

- When loop forms, release clutch handle and push excess cable back through machine. Disconnect one section at a time.

⚠ WARNING When disconnecting sections, remember to turn unit off and secure cable in line.

- Once section of cable is removed, insert the secured cable in through the front of the machine and continue removing sections until tool on last section of cable is just inside sewer inlet.

⚠ WARNING Never retract tool from sewer inlet while cable is rotating. Tool can whip causing serious injury.

12. Turn FOR/OFF/REV Switch to OFF position and remove cord from power source.

13. Pull remaining cable and tool from sewer.

CAUTION After using, thoroughly flush and drain cables, couplings and tools with water due to damaging effects of some drain cleaning compounds.

Special Procedures

Reverse Operation

Running machine in reverse will cause premature failure of cable. Use reverse only to free a tool caught in an obstruction. If this should occur, immediately release clutch handle and place FOR/OFF/REV switch to OFF position. After motor comes to a complete stop, place FOR/OFF/REV switch in the REV (reverse) direction. Engage clutch handle only until tool is free of obstruction. Once tool is free, release clutch handle immediately, turn unit OFF. Run unit in FOR (forward) direction and follow normal operating procedure.

⚠ WARNING Never operate this machine in REV (reverse) for any other purpose. Operating in reverse can damage a cable and cause serious injury.

Jaw Set Adjustment

7/8" Diameter Cable

- If 7/8" cable will not slide through the front of the machine, the jaw set is not open wide enough.
- Remove the rear guide hose from the jaw housing adjustment knob.
- Loosen the adjustment knob set screw with 1/4" hex key (Figure 9).
- Turn the Adjustment Knob counter-clockwise when viewed from the rear (approximately 2 turns) until the cable will slide through the machine (Figure 10).
- With cable through the jaw set, press the clutch handle DOWN to make sure the jaw set engages the cable. If not, turn the knob clockwise until there is engagement.
- If necessary, turn the adjustment knob in the direction required so that the clutch handle engages the cable at the position desired by the operator.



Figure 9 – Loosen the Set Screw

- Tighten the set screw.
- Reattach the rear guide hose.



Figure 10 – Jaw Set Adjustment

5/8" Diameter Cable

- If the jaw set does not engage the cable when the clutch handle is pressed, the jaw set is open too wide.
- Remove the rear guide hose from the jaw housing adjustment knob.
- Loosen the set screw with 1/4" hex key (Figure 9).
- Turn the adjustment knob clockwise until the cable is engaged by the jaw set when the clutch handle is pressed (approximately 2 turns) (Figure 10).
- If necessary, turn the adjustment knob in the direction required so that the clutch handle engages the cable at the position desired by the operator.
- Tighten the set screw.
- Reattach the rear guide hose.

Accessories

⚠ WARNING Only the following RIDGID products have been designed to function with the K-60SP Drain Cleaning Machine. Other accessories suitable for use with other tools may become hazardous when used on the K-60SP. To prevent serious injury, use only the recommended accessories.

Cable Selection Chart

Model	Length	Size/Type	Typical Application	Characteristics
C-7	7 1/2'	5/8" (16mm)	2" & 3" Floor drains	Tight wind cable providing good rigidity in a hollow core cable. Not recommended for tree roots.
C-8	7 1/2'	5/8" (16mm)	Drain Lines 1 1/4" – 2". Ideal for proper cleaning of small lines	Open wind cable that is more flexible than C-7. Open wind acts as an auger to thoroughly remove blockages in small lines.
C-9	10'	5/8" (16mm)	Drain Lines 2" – 4". Ideal for drains and stacks	Heavy-duty open wind cable ideal for long runs in indoor lines.
C-10	15'	7/8" (22mm)	Drain Lines 2" – 4". Roof-top vent stacks	Standard all-purpose open wind. Excellent flexibility.

7/8" Cable and Leader

Catalog No.	Model No.	Description
62275 30007	C-10 T-127	15' All-Purpose Wind (4.6m) 7/8" Trap Leader

5/8" Cables

Catalog No.	Model No.	Description
51317	C-9	10' Heavy-Duty (3m)
62270	C-8	7 1/2' All-Purpose Wind (2.3m)
62265	C-7	7 1/2' Tight-Wind (2.3m)

Cable Kits and Tool Kit

Catalog No.	Model No.	Description
61630	A-62	Standard Equipment Cable Kit for K-60SP-SE, includes: – Five Sections C-10, 7/8" x 15' Cable (75',23m) – A-8 Cable Carrier
61625	A-61	Standard Equipment Tool Kit for K-60SP-SE includes: – T-101 Straight Auger – T-102 Funnel Auger – T-107 Spade Cutter – T-125 Retrieving Auger – T-150-1 Sharktooth Cutter – A-3 Tool Box – A-12 Pin Key
48472	A-35	5/8" Cable Kit, includes: – Six Sections C-8, 5/8" x 7 1/2" Cable (45',14m) – A-10 Cable Carrier – T-201 Straight Auger – T-202 Bulb Auger – T-205 "C" Cutter – T-211 Spade Cutter – A-13 Coupling Pin Key
48477	A-35TW	5/8" Tight-Wind Cable Kit, substitutes C-7 for C-8 in above package

Tools for C-10 Cable

Catalog No.	Model No.	Description
62850 62855 27642	T-101 T-102 T-125	Straight Auger Funnel Auger Retrieving Auger
62860	T-103	Sawtooth Cutter, 2 1/2"
62865	T-104	"H" Cutter, 2 1/2"
62870 62875	T-105 T-106	Grease Cutter, 2 1/2" Grease Cutter, 3 1/2"
62880	T-107	Spade Cutter, 1 3/4"
62915 62920 62925	T-109 T-110 T-111	Spiral Sawtooth Cutter, 1 3/4" Spiral Sawtooth Cutter, 2 1/4" Spiral Sawtooth Cutter, 3"
62930 62935	T-112 T-113	4-Blade Cutter, 1 3/4" 4-Blade Cutter, 3"
98050 98055 98060	T-150 T-150-1 T-150-2	Sharktooth Cutter, 3" and 4" Sharktooth Cutter, 3" Blade Sharktooth Cutter, 4" Blade
62940	T-114	Chain Knocker

Tools for C-7, C-8, and C-9 Cables

Catalog No.	Model No.	Description
62990 62995 63000 55457	T-201 T-202 T-203 T-225	Straight Auger Bulb Auger, 1 1/8" O.D. Bulb Auger, 7/8", O.D. Retrieving Auger
63065	T-217	Drop Head
54837 63005	T-204 T-205	"C" Cutter, 1" "C" Cutter, 1 3/8"
63010	T-206	Funnel Auger
63015 63020 63025	T-207 T-208 T-209	Spiral Cutter, 1 1/4" Spiral Cutter, 1 1/2" Spiral Cutter, 2"
63030 63035 63040	T-210 T-211 T-212	Spade Cutter, 1" Spade Cutter, 1 3/8" Spade Cutter, 1 3/4"
63045 63050 63055	T-213 T-214 T-215	4-Blade Cutter, 1" 4-Blade Cutter, 1 3/8" 4-Blade Cutter, 1 3/4"
63060	T-216	Chain Knocker, 2"
63280 63070 63080 63220	T-218 T-219 T-220 T-221	Flue Brush, 3" Flue Brush, 2 1/2" Flue Brush, 2" Flue Brush, 1 1/2"
52812 52817 52822	T-230 T-231 T-232	H-D "C" Cutter, 2" H-D "C" Cutter, 2 1/2" H-D "C" Cutter, 3"
48482	T-250	Tool Set includes: - T-203 - T-217 - T-205 - A-13 - T-210

Miscellaneous

Catalog No.	Model No.	Description
59360	A-3	Tool Box
59205 59295	A-1 A-2	Left-Hand Mitt Right-Hand Mitt
59225 59230	A-12 A-13	Pin Key, 7/8" Cable Pin Key, 5/8" Cable
61615	A-60-12	12' Rear Guide Hose for 7/8" Cable/C-10
59235	A-14-6	6' Rear Guide Hose for 5/8" Cable/C-7, C-8, C-9
84325	A-14-10	10' Rear Guide Hose for 5/8" Cable/C-7, C-8, C-9
59470 59210	A-8 A-10	Cable Carrier (Holds 75' 7/8" Cable/C-10) Cable Carrier (Holds 45' 7/8" Cable/C-10) Cable Carrier (Holds 90' 5/8" Cable/C-8, C-9)
59425	A-36	Cable Caddy
65687		K-60SP Jaw Set

NOTE! See Ridge Tool Catalog for complete list of tools and accessories.

Maintenance Instructions
▲ WARNING

Make sure machine is unplugged from power source before performing maintenance or making any adjustment.

Lubrication

Lubricate machine with grease at grease fitting (located on jaw housing) once a week if used every day; once a month if used less.

NOTE! No lubrication of the Motor Shaft is required.

Cables

Cables should be thoroughly flushed with water to prevent damaging effects of drain cleaning compounds. Periodically lubricate cables and couplings with RIDGID Cable Rust Inhibitor.

When not in use, store cables indoors to prevent deterioration by the elements.

Cables should be replaced when they become severely corroded or worn. A worn cable can be identified when outside of coils become flat.

Clutch Jaw Assembly (Jaw Set)

The clutch jaw assembly should be periodically cleaned.

- Stand the machine up on the front of the frame. Make sure clutch handle is in its uppermost position. Remove the two (2) socket head cap screws from the jaw housing with a 1/4" hex key (*Figure 11*).



Figure 11 – Remove Socket Head Cap Screws

2. Remove the jaw housing. The clutch jaw assembly is contained in the jaw housing.
3. Remove the jaw set cover by rotating counter-clockwise (*Figure 12*).
4. Clean the clutch jaw assembly, jaw cover, and the inside of the jaw housing.
5. If worn, replace the clutch jaw assembly.
6. Reinstall the jaws into the jaw housing and replace the jaw set cover.
7. Rotate the adjustment knob clockwise until the jaw set touches the jaw set cover. This will insure that the jaw set is properly aligned.
8. Attach jaw housing to machine with socket head cap screws.

NOTE! Make sure flanges on plastic shroud are contained inside the jaw housing.



Figure 12 – Remove Jaw Set Cover

Drive Belt Replacement

1. Stand the machine up on the front of the frame. Make sure clutch handle is in its uppermost position. Remove the two (2) socket head cap screws from the jaw housing with a $\frac{1}{4}$ " hex key. (*Figure 11*)
2. Remove the jaw housing.
3. Loosen the jam nut on the side of the machine (*Figure 13*).
4. Rotate motor adjustment set screw counter-clockwise with $\frac{3}{16}$ " hex key until belt is loose enough to be removed.

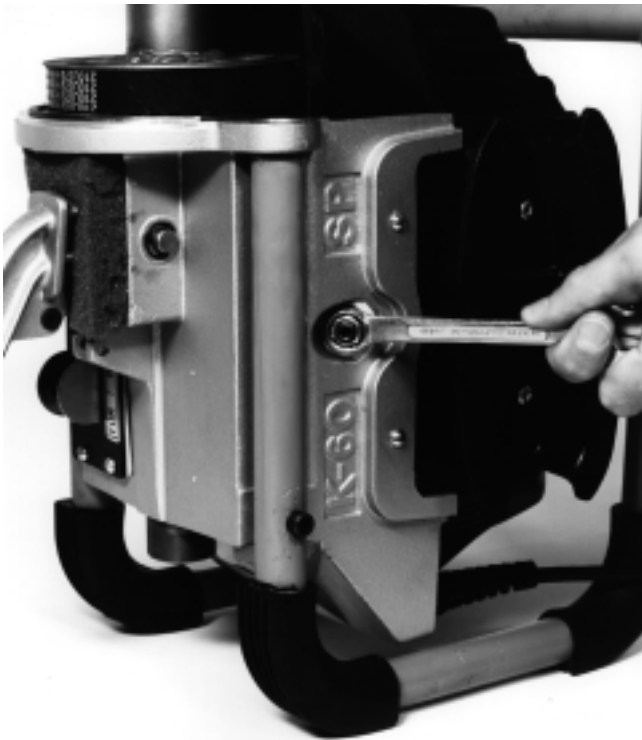


Figure 13 – Loosen Jam Nut

5. Install new belt and set unit down on bottom of frame (operating position), so belt will become tensioned by the weight of the motor.
6. Rotate the motor adjustment set screw until it just touches the motor. Once the set screw touches motor, rotate set screw 1/2 turn clockwise.

NOTE! Do not tighten this set screw by driving it into the motor.

7. While holding the set screw in place with the 3/16" hex key, tighten the jam nut (Figure 14).

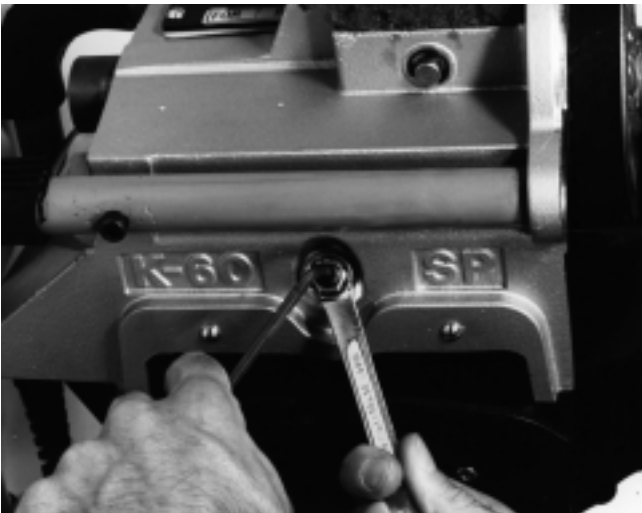


Figure 14 – Tighten Jam Nut

8. Attach jaw housing to machine with socket head cap screws.

Machine Storage

▲ WARNING Motor-driven equipment must be kept indoors or well covered in rainy weather. Store the machine in a locked area that is out of reach of children and people unfamiliar with drain cleaners. This machine can cause serious injury in the hands of untrained users.

If machine has been exposed to freezing weather, unit must be run for ten (10) to twenty (20) minutes without load to warm up. Failing to do this will result in frozen bearings. If machine is exposed to weather for a period of time, moisture will form across motor windings causing motor to burn out.

Service and Repair

▲ WARNING



The "Maintenance Instructions" will take care of most of the service needs of this machine. Any problems not addressed by this section should only be handled by an authorized RIDGID service technician.

Tool should be taken to a RIDGID Independent Authorized Service Center or returned to the factory. All repairs made by Ridge service facilities are warranted against defects in material and workmanship.

▲ WARNING When servicing this machine, only identical replacement parts should be used. Failure to follow these instructions may create a risk of electrical shock or other serious injury.

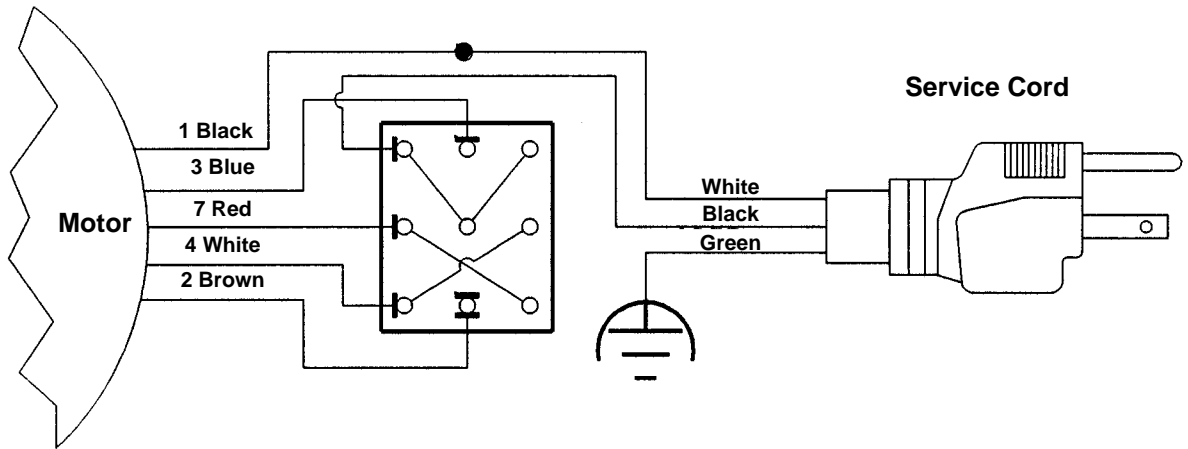
If you have any questions regarding the service or repair of this machine, call or write to:

Ridge Tool Company
 Technical Service Department
 400 Clark Street
 Elyria, Ohio 44035-6001
 Tel: (800) 519-3456
 E-mail: TechServices@ridgid.com

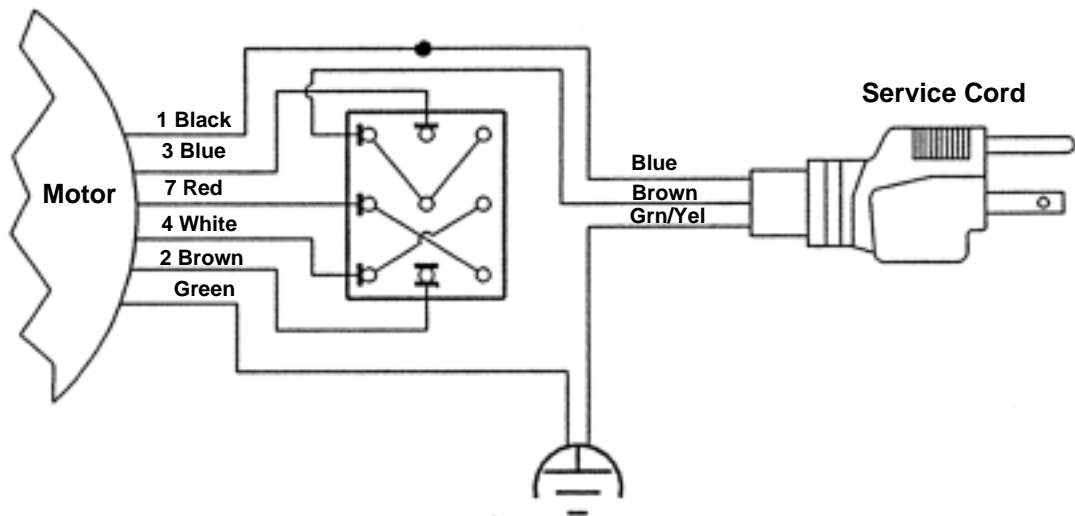
For name and address of your nearest Independent Authorized Service Center, contact the Ridge Tool Company at (800) 519-3456 or <http://www.ridgid.com>

Wiring Diagram

115V/60 Hz



230V/50 Hz





Dégorgeoir électrique K-60SP



Dégorgeoir électrique	
Inscrivez ci-dessous le numéro de série de la plaque signalétique l'appareil pour future référence.	
N° de série :	

Table des matières

Fiche d'enregistrement du numéro de série de la machine	15
Consignes générales de sécurité	
Sécurité du chantier	17
Sécurité électrique	17
Sécurité individuelle	17
Utilisation et entretien de l'appareil	18
Service après-vente	18
Consignes de sécurité particulières	
Sécurité du dégorgeoir	19
Description, spécifications et équipements de base	
Description	19
Spécifications	19
Équipements de base	20
Inspection de la machine	20
Préparation de la machine	21
Utilisation de la machine	22
Procédés spéciaux	
Utilisation de la marche arrière	24
Réglage des mâchoires d'embrayage	24
Accessoires	25
Entretien	
Lubrification	26
Câbles	26
Mâchoires d'embrayage	26
Remplacement de la courroie d'entraînement	27
Stockage de la machine	28
Service après-vente et réparations	28
Schéma électrique	29
Garantie à vie	Page de garde

Consignes générales de sécurité

MISE EN GARDE ! Familiarisez-vous complètement avec l'ensemble des instructions. Le non-respect de ces consignes augmenterait les risques de choc électrique, d'incendie et/ou de graves blessures corporelles.

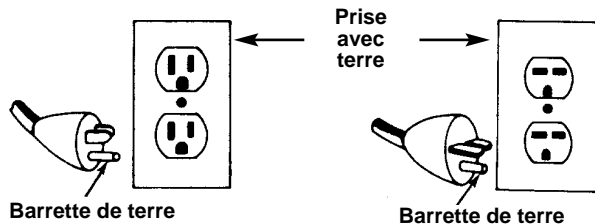
CONSERVEZ CES INSTRUCTIONS !

Sécurité du chantier

- **Maintenez le chantier propre et bien éclairé.** Les établis encombrés et le manque d'éclairage sont à l'origine de nombreux accidents.
- **N'utilisez pas d'appareils électriques en présence de combustibles tels que les liquides, gaz ou poussières inflammables.** Les appareils électriques produisent des étincelles capables d'enflammer les poussières et les émanations combustibles.
- **Ecartez les curieux, les enfants et les visiteurs lorsque vous utilisez un appareil électrique.** Les distractions éventuelles peuvent vous faire perdre le contrôle de l'appareil.

Sécurité électrique

- **Les appareils électriques avec terre doivent être branchés sur une prise avec terre appropriée et conforme aux normes en vigueur. Ne jamais enlever la barrette de terre ou tenter de modifier la fiche d'aucune manière. Ne jamais utiliser d'adaptateurs de prise. Consultez un électricien qualifié en cas de doute sur la bonne mise à la terre de la prise.** En cas de panne ou de défaillance électrique de l'appareil, la mise à la terre assure un passage de faible résistance qui éloigne le courant électrique de l'opérateur.



- **Évitez tout contact avec les masses telles que tuyaux, radiateurs, cuisinières ou réfrigérateurs.** Les risques de choc électrique augmentent lorsque votre corps est en contact avec une masse.
- **N'exposez pas les appareils électriques à la pluie ou aux intempéries.** Toute pénétration d'eau à l'intérieur d'un appareil électrique augmente les risques de choc électrique.

- **Ne maltraitez pas le cordon électrique de l'appareil. Ne jamais porter l'appareil par son cordon électrique, ni tirer sur celui-ci pour débrancher l'appareil. Gardez le cordon à l'abri des sources de chaleur, de l'huile, des angles tranchants et des pièces mobiles. Remplacez immédiatement tout cordon endommagé.** Les cordons endommagés augmentent les risques de choc électrique.

- **Lorsque vous utilisez l'appareil à l'extérieur, utilisez une rallonge électrique portant la désignation "W-A" ou "W".** Ce type de rallonge est prévu pour être utilisé à l'extérieur et réduit les risques de choc électrique.

- **Utilisez uniquement des rallonges à trois fils équipées d'une fiche bipolaire plus terre à trois barrettes et d'une prise bipolaire plus terre qui correspond à la fiche de l'appareil.** L'utilisation d'autres types de rallonge électrique n'assurera pas la mise à la terre de l'appareil et augmentera les risques de choc électrique.

- **Utilisez la section de rallonge appropriée (voir tableau).** Une section de conducteurs insuffisante provoquerait une perte de tension excessive, d'où un manque de puissance.

Section minimale des fils conducteurs des rallonges			
Ampères indiqués sur la plaque signalétique	Longueur totale (en pieds)		
	0 à 25	26 à 50	51 à 100
0 à 6	18 AWG	16 AWG	16 AWG
6 à 10	18 AWG	16 AWG	14 AWG
10 à 12	16 AWG	16 AWG	14 AWG
12 à 16	14 AWG	12 AWG	Déconseillé

- **Vérifiez le bon fonctionnement du disjoncteur différentiel du cordon d'alimentation avant d'utiliser l'appareil.** Le disjoncteur différentiel réduit les risques de choc électrique.

- **L'utilisation de rallonges électriques est déconseillée sauf si celles-ci sont branchées sur une boîte de dérivation ou une prise équipée d'un disjoncteur différentiel.** Le disjoncteur différentiel du cordon d'alimentation de la machine n'assure aucune protection contre les décharges électriques venant des rallonges.

- **Gardez les connexions électriques au sec et sur-élevées. Ne touchez pas la fiche avec les mains mouillées.** Cela réduit les risques de choc électrique.

Sécurité individuelle

- **Soyez attentif, concentrez-vous sur ce que vous faites et faites preuve de bon sens lorsque vous**

utilisez un appareil électrique. **N'utilisez pas ce type d'appareil lorsque vous êtes fatigués ou lorsque vous prenez des médicaments, de l'alcool ou des produits pharmaceutiques.** Un instant d'inattention peut entraîner de graves blessures lorsque l'on utilise un appareil électrique.

- **Habillez-vous de manière appropriée. Ne portez pas de vêtements amples ou de bijoux. Attachez les cheveux longs. Gardez vos cheveux, vos vêtements et vos gants à l'écart du mécanisme.** Les vêtements amples, les bijoux et les cheveux longs peuvent s'entraver dans le mécanisme.
- **Évitez les risques de démarrage accidentel. Assurez-vous que l'interrupteur marche/arrêt est en position OFF avant de brancher l'appareil.** Le fait de porter l'appareil avec un doigt sur la gâchette ou le brancher lorsque son interrupteur est en position de marche (ON) est une invitation aux accidents.
- **Enlevez les clés de réglage et autres outils avant de mettre l'appareil en marche.** Une clé laissée sur une partie rotative de l'appareil peut entraîner des blessures corporelles.
- **Ne vous mettez pas en porte-à-faux. Gardez une bonne assise et un bon équilibre à tous moments.** Une bonne assise et un bon équilibre vous permettent de mieux contrôler l'appareil en cas d'imprévu.
- **Utilisez les équipements de sécurité appropriés. Portez systématiquement des lunettes de sécurité.** Un masque à poussière, des chaussures de sécurité, le casque et/ou une protection auditive doivent être portés selon les conditions d'utilisation.

Utilisation et entretien de l'appareil

- **Utilisez un serre-joint ou autre moyen approprié pour arrimer l'ouvrage sur une plate-forme stable.** Tenir l'ouvrage à la main ou contre le corps peut vous mettre en position d'instabilité et vous faire perdre le contrôle de l'appareil.
- **Ne forcez pas l'appareil. Utilisez un appareil qui soit adapté au travail prévu.** L'outil approprié assurera un meilleur travail et une meilleure sécurité s'il est utilisé au régime prévu.
- **N'utilisez pas un appareil si son interrupteur ne permet pas de le mettre en marche ou de l'arrêter.** Tout appareil qui ne peut pas être contrôlé par son interrupteur est dangereux et doit être réparé.
- **Débranchez l'appareil avant tout réglage ou changement d'accessoires, et avant de le ranger.** De telles mesures préventives réduisent le risque de démarrage accidentel de l'appareil.

- **Rangez les appareils non utilisés hors de la portée des enfants et des personnes non initiées.** Ces appareils sont dangereux entre les mains de personnes non initiées.
- **Entretenez les appareils consciencieusement. Maintenez les outils de coupe bien affûtés et en bon état de propreté.** Les outils bien entretenus et affûtés réduisent les risques de grippage et sont plus faciles à contrôler.
- **Assurez-vous qu'il n'y a pas de mauvais alignement ou de grippage au niveau du mécanisme ou d'autres conditions qui pourraient entraver le bon fonctionnement de l'appareil.** Le cas échéant, faire réparer l'appareil avant de vous en servir. De nombreux accidents sont le résultat d'un appareil mal entretenu.
- **Utilisez exclusivement les accessoires recommandés par le fabricant pour votre appareil particulier.** Des accessoires prévus pour un certain type d'appareil peuvent être dangereux lorsqu'ils sont montés sur un autre.
- **Gardez les poignées de la machine propres, sèches et dépourvues d'huile ou de graisse.** Cela vous permettra de mieux contrôler l'appareil.

Service après-vente

- **Toutes réparations de l'appareil doivent être confiées à un réparateur qualifié.** La réparation ou l'entretien de l'appareil par du personnel non qualifié peut entraîner des blessures.
- **Lors de la réparation de l'appareil, utilisez exclusivement des pièces de rechange identiques à celles d'origine. Suivez les instructions de la section "Entretien" du mode d'emploi.** L'utilisation de pièces de rechange non homologuées et le non-respect des consignes d'entretien peut créer un risque de choc électrique ou de blessure corporelle.

Consignes de sécurité particulières

▲ MISE EN GARDE !

Lisez soigneusement ce manuel avant d'utiliser le dégorgeoir K-60SP. Le non-respect des consignes ci-devant augmenterait les risques de choc électrique, d'incendie et/ou de graves blessures corporelles.

Veuillez adresser toutes questions éventuelles aux services techniques de la Ridge Tool Company en composant le (800) 519-3456.

Sécurité du dégorgeoir

- **Portez la mitaine en cuir fournie avec la machine. Ne jamais tenter d'attraper un câble tournant avec un chiffon ou un gant en tissu mal ajusté.** Ceux-ci pourraient s'entortiller autour du câble et provoquer de graves blessures.
- **Ne jamais utiliser cette machine sans ses carters de protection.** Vos doigts risqueraient d'être pris dans le mécanisme.
- **Ne forcez pas les câbles. Gardez votre main sur le câble afin de le contrôler durant sa rotation.** Forcer les câbles à la rencontre d'un obstacle risque de provoquer leur bouclage ou leur pincement et entraîner de graves blessures.
- **Positionnez la machine à moins de deux pieds (50cm) de l'entrée de la canalisation.** Utilisez le guide-câble avant lorsqu'il est nécessaire de l'éloigner du point d'accès. Un écartement supérieur risque de provoquer le bouclage ou le plissage du câble.
- **Utilisez le guide-câbles arrière.** Celui-ci empêche le fouettement du câble et les risques d'enchevêtrement.
- **Ne faites pas tourner la machine en marche arrière (REV).** L'utilisation de la marche arrière risque d'endommager le câble et ne doit servir qu'à retirer l'outil d'un obstacle.
- **Ne faites pas tourner la machine lorsque le levier d'embrayage est verrouillé.** L'embrayage est un dispositif de sécurité prévu pour arrêter la rotation du câble.
- **Faites attention lors du curage des canalisations qui ont été préalablement traitées avec des produits chimiques. Évitez tout contact direct avec la peau et les yeux.** Certains produits de nettoyage peuvent provoquer de graves brûlures.
- **N'utilisez pas cette machine lorsque l'opérateur et/ou la machine ont les pieds dans l'eau.** Cela augmenterait les risques de choc électrique.
- **Portez des lunettes de sécurité et des chaussures antidérapantes à semelle en caoutchouc.** Ces équipements de sécurité peuvent éviter de graves blessures corporelles.
- **Utilisez le K-60SP exclusivement pour le curage des canalisations d'évacuation d'un diamètre maximal de 4 po. Respectez les consignes d'utilisation de l'appareil.** Toute autre utilisation, ainsi que la modification du dégorgeoir pour d'autres applications augmente les risques d'accident.

Description, spécifications et équipements de base

Description

Le dégorgeoir RIDGID K-60SP est un appareil portatif prévu pour le curage des canalisations allant de 1 1/4 à 4 po de diamètre. Ses possibilités d'application comprennent le curage des bacs de buanderie, siphons de sol, événements en toiture et chutes d'évacuation. Sa poignée arrière lui permet d'être porté en montant les échelles pour les curages effectués à partir des événements en toiture.

Cette machine utilise un moteur électrique de 1/2 CV avec terre. Un disjoncteur différentiel est incorporé à son cordon d'alimentation. Un commutateur à bascule commande les fonctions marche avant, arrêt et marche arrière du moteur.

Le K-60SP utilise des câbles et outils à raccord rapide de diverses dimensions. L'avancement et le retrait des câbles se font manuellement tandis qu'ils tournent à 600 t/min. La rotation des câbles est commandée par un levier d'embrayage. Cette rotation cesse instantanément, dès que le levier d'embrayage est lâché. Une molette de réglage permet au K-60SP d'utiliser à la fois des câbles Ø 5/8 et Ø 7/8 po.

Spécifications

Capacité de curageSelon le choix de câble. Se reporter au tableau suivant pour les sections recommandées

Diamètre et longueur des canalisations prévues

Ø câble	Ø conduite	Longueur
Câble Ø 5/8 po	1 1/4 à 4 po	125 pieds
Câble Ø 1/2 po	2 à 4 po	150 pieds

Câbles.....Câbles à raccord rapide Ø 7/8 et Ø 5/8 po

Vitesse de rotation600 t/min

Moteur

TypeRéversible, 115V/60Hz

Puissance.....1/2 CV

Intensité.....7A

Poids.....19,5 kg (43 livres)

Dimensions :

Longueur45 cm (18 po)

Largeur24 cm (9,5 po)

Hauteur.....36 cm (14 po)

Equipements de base

Modèle	Désignation
K-60SP	Machine K-60SP à câbles démontables en 115V/60 Hz comprenant : Mitaine d'opérateur A-1 Guide-câbles arrière A-60-12



Figure 1 – Dégorgeoir K-60SP

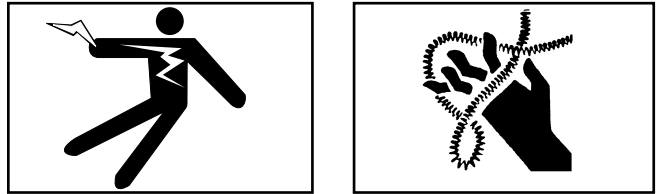
K-60SP-SE	K-60SP ci-dessus, plus : Jeu d'outils A-61 comprenant: – Tarière droite T-101 – Tarière conique T-102 – Tarière tête d'aspic T-107 – Mèche de récupération T-125 – Couteau dentelé T-150-1 – Boîte à outils A-3 – Clé à broche A-12
	Jeu de câbles A-62 : – Cinq longueurs de 15 pieds de câble C-10 Ø 7/8 – Porte-câbles A-8



Figure 2 – Dégorgeoir K-60SP-SE

Inspection de la machine

▲ MISE EN GARDE !



L'inspection du dégorgeoir vous permettra de limiter les risques d'accident. Le processus d'inspection suivant devrait précéder chaque utilisation de la machine.

1. Assurez-vous que le dégorgeoir est débranché et que son commutateur directionnel se trouve en position **OFF** (arrêt) (Figure 3)
2. Examinez le cordon d'alimentation, le disjoncteur différentiel et la fiche du cordon pour signes de détérioration. Si la fiche a été modifiée, qui lui manque sa barrette de terre ou que le cordon d'alimentation est endommagé, n'utilisez pas le dégorgeoir avant que le cordon ait été remplacé.

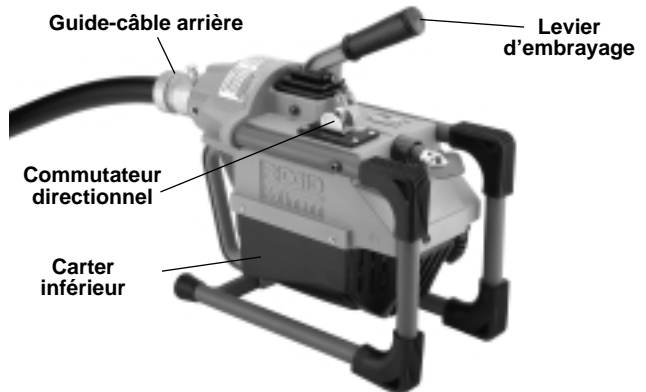


Figure 3 – Dégorgeoir K-60SP

3. Assurez-vous que le carter inférieur est correctement fixé au cadre.

▲ MISE EN GARDE Ne pas utiliser cette machine sans son carter inférieur. Vos doigts risqueraient d'être pris dans le mécanisme.

4. Examinez le dégorgeoir pour signes de pièces endommagées, manquantes, désalignées ou grippées, ainsi que pour toute autre anomalie qui pourrait nuire au bon fonctionnement et à la sécurité de la machine. Le cas échéant, n'utilisez pas le dégorgeoir avant que toute anomalie ait été réparée.
5. Si nécessaire, lubrifiez la machine selon les consignes de la section Entretien.
6. Utilisez les outils et accessoires prévus pour cet ap-

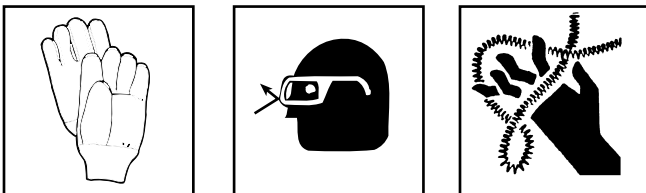
pareil et adaptés au chantier en question. Les outils et accessoires appropriés vous permettront de faire le travail correctement et en toute sécurité. Les accessoires prévus pour d'autres types d'appareil peuvent être dangereux lorsqu'ils sont utilisés avec ce type de dégorgeoir.

7. Éliminez toutes traces d'huile de graisse ou de crasse des commandes et poignées du matériel. Cela réduira les risques de blessure lorsqu'un outil ou une commande s'échappe de votre main.
8. Examinez le tranchant des outils utilisés. Si nécessaire, faites-les affûter ou remplacer avant d'utiliser le dégorgeoir. Des outils émoussés ou endommagés peuvent éventuellement provoquer le grippage et le bris des câbles.
9. Examinez les câbles et les raccords pour signes d'usure et de détérioration. Les câbles doivent être remplacés dès qu'ils deviennent excessivement usés ou corrodés. Un câble est considéré usé lorsque les brins extérieurs s'aplatissent.

▲ MISE EN GARDE Les câbles usés ou endommagés risquent de rompre et de provoquer de graves blessures corporelles.

Préparation de la machine

▲ MISE EN GARDE !



N'installez pas la machine dans l'eau. Toute pénétration d'eau à l'intérieur du moteur risque de provoquer des chocs électriques.

Une bonne préparation de la machine et du chantier permettra de limiter les risques d'accident. Le processus de préparation suivant doit être respecté lors de l'installation de la machine :

1. Examinez le chantier pour :
 - Un éclairage suffisant.
 - Une prise de courant avec terre.
 - Un passage dégagé jusqu'à la prise de courant, dépourvu de sources de chaleur, d'huile, d'arêtes vives et de mécanismes qui risquent d'endommager le cordon électrique.
 - Un endroit au sec pour la machine et son utilisateur. N'utilisez pas la machine lorsque vous avez les pieds dans l'eau.

- La présence de liquides, de gaz ou de poussières inflammables qui risquent de s'enflammer.

2. Positionnez le dégorgeoir à moins de 2 pieds du point d'entrée. Une distance supérieure risque de provoquer le bouclage ou le pincement du câble.
3. Retirez la clé à broche du levier d'embrayage. Une fois la broche retirée, le levier devrait se trouver à la verticale.

NOTA ! Lorsque l'appareil n'est pas en mode opérationnel, le levier d'embrayage doit être rabattu et verrouillé afin de le protéger et de permettre à l'opérateur de s'en servir de poignée de transport s'il le désire.

4. Assurez-vous que l'interrupteur/commutateur directionnel se trouve en position **OFF** (arrêt).



Figure 4 – Montage du guide-câble arrière

5. Montez le guide-câble arrière en enfilant l'adaptateur du guide-câble sur les broches prévues (Figure 4).

▲ MISE EN GARDE N'utilisez pas la machine sans son guide-câble arrière. Celui-ci empêche le câble de fouetter, éventuellement s'emmêler, et salir les lieux.

6. Introduisez la première longueur de câble par l'avant de la machine (raccord femelle en premier) et à travers le guide-câble jusqu'à ce qu'il ne reste qu'environ 1 pied de câble à l'avant de la machine (Figure 5).



Figure 5 – Introduction du câble par l'avant de la machine

▲ MISE EN GARDE Ne jamais raccorder plus d'un câble à la fois. Le câble s'étendrait au-delà du guide-câble arrière.

NOTA ! N'oubliez pas de régler le jeu de mâchoires selon le câble utilisé. Le K-60SP est équipé d'un réglage lui permettant d'employer des câbles de $\frac{5}{8}$ ou $\frac{7}{8}$ po de section. Reportez-vous à la section "Procédés spéciaux".

7. Sélectionnez et montez l'outil approprié en bout du câble. Son raccord rapide s'emboîte directement sur celui du câble (Figure 6) Pour démonter l'outil du bout du câble, enfoncez le piston de verrouillage du raccord à l'aide de la broche fournie, puis séparez les raccords.

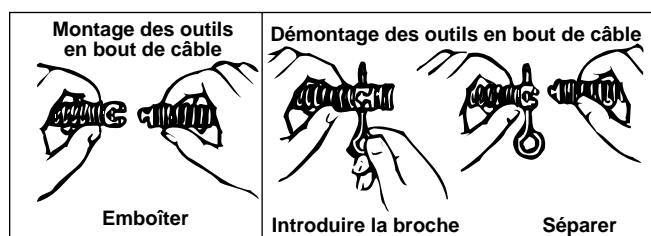


Figure 6 – Montage et démontage des outils

NOTA ! Sélection de l'outil approprié

De manière générale, il est préférable d'utiliser un outil dont le diamètre est d'au moins 1 pouce inférieur à celui de la canalisation à curer. Dans la mesure où le type d'outil utilisé dépend de la nature du curage, son choix est laissé à la discrétion de l'utilisateur.

8. Après vous être assuré qu'il suit le passage dégagé prévu, branchez le cordon d'alimentation du dégorgeoir. Si le cordon d'alimentation n'arrive pas jusqu'à la prise de courant, utilisez une rallonge électrique en bon état.

▲ MISE EN GARDE Afin d'éviter les risques de choc et d'incendie électrique, ne jamais utiliser une rallonge électrique endommagée ou qui ne répond pas aux critères suivants :

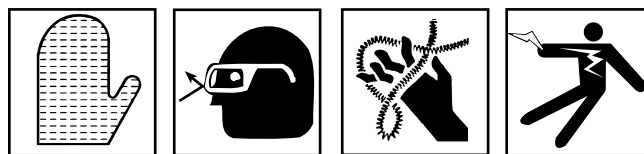
- Toute rallonge électrique doit être équipée d'une fiche à trois barrettes, semblable à celle indiquée à la section "Sécurité électrique".
- Toute rallonge électrique utilisée à l'extérieur doit être du type "W" ou "W-A".
- La rallonge électrique utilisée doit avoir des conducteurs de section suffisante (16 AWG pour une longueur inférieure à 50 pieds, et 14 AWG de 50 à 100 pieds de longueur). Une section de conducteurs insuffisante risque de provoquer la surchauffe de la rallonge au point de fondre son isolation et enflammer les objets à proximité.

▲ MISE EN GARDE Afin de limiter les risques de choc électrique, gardez toutes connexions électriques au sec

et surélevées. Ne touchez pas les fiches avec les mains mouillées. Testez le disjoncteur différentiel fourni avec le cordon d'alimentation afin de vous assurer de son bon fonctionnement. Lorsque la touche d'essai est enfoncée, le témoin lumineux doit s'éteindre. Réactivez-le en appuyant sur la touche de réarmement. Si le témoin lumineux s'allume, c'est que la machine est prête à fonctionner. Si le disjoncteur différentiel ne fonctionne pas correctement, n'utilisez pas la machine.

Utilisation de la machine

▲ MISE EN GARDE !



Portez les mitaines à rivets fournies avec la machine. Ne jamais tenter d'attraper un câble en rotation avec un chiffon ou des gants en tissu mal ajustés qui risqueraient de s'entortiller autour du câble et provoquer de graves blessures.

Portez systématiquement des lunettes de sécurité afin de protéger vos yeux contre la projection de débris ou autres objets divers. Portez des chaussures antidérapantes avec semelles en caoutchouc.

Faites particulièrement attention lors du curage de canalisations qui ont été préalablement traités aux produits chimiques. Portez des gants lors de la manipulation des câbles, et évitez tout contact direct avec la peau et surtout avec les yeux et le visage, car de graves brûlures pourraient en résulter.

Ne pas utiliser l'appareil si le levier d'embrayage est endommagé ou ne fonctionne pas correctement. Le levier d'embrayage est un dispositif de sécurité qui arrête la rotation du câble dès qu'il est lâché.

AVERTISSEMENT Il est important de connaître la distance approximative entre le point d'entrée et l'égout ou la fosse septique à l'autre bout. Un débordement excessif du câble dans l'égout ou la fosse en question risque de le laisser s'entortiller au point d'empêcher son retrait via une canalisation de diamètre inférieur. Lors de l'utilisation d'un câble de $1\frac{1}{4}$ po en présence d'un égout de 12 po ou plus, ne laissez pas le câble déborder de plus de 10 ou 15 pieds. Lorsqu'il s'agit d'une fosse septique, limitez ce débordement à 3 ou 5 pieds au maximum.

1. Mettez-vous en position appropriée afin de maintenir votre équilibre (Figure 7).

▲ MISE EN GARDE En cas d'imprévu, cette position vous permettra de garder le contrôle de la machine et du câble en toute sécurité.

- Assurez-vous de pouvoir lâcher le levier d'embrayage instantanément.

- Vous devez garder une main sur le câble pour l'empêcher de fouetter lorsqu'il rencontre un obstacle.
- Vous devez pouvoir accéder au commutateur FOR/OFF/REV.



Figure 7 – Position de travail appropriée

2. Tirez une longueur suffisante de câble de la machine pour introduire l'outil et le câble dans la canalisation. Enfoncez le câble dans la canalisation aussi loin que possible.
3. Retirez une longueur supplémentaire de câble suffisante pour pouvoir presque former un demi-cercle entre la machine et le point d'entrée.
4. Tenez le câble librement dans votre main gantée. Mettez le commutateur FOR/OFF/REV en position FOR (marche avant).

NOTA ! Le moteur se mettra alors en marche, mais sans entraîner le câble.

5. Avec votre main gantée sur le câble, ramenez le levier d'embrayage avec l'autre main afin d'engager le câble. Appuyez sèchement sur le sommet de la boucle du câble pour le faire avancer.

NOTA ! L'engagement trop lent ou progressif du levier d'embrayage provoquera l'usure prématurée des mâchoires du système d'engagement. Il s'agit d'un système d'engagement direct, et le retour du levier d'embrayage à sa position d'origine assure la libération instantanée du câble.

6. Dès que le câble supplémentaire s'est engagé dans la canalisation, lâchez le levier d'embrayage et retirez une longueur de six à dix pouces de câble de la machine avec votre main gantée.
7. Continuez à faire avancer le câble dans la canalisation jusqu'à ce que vous rencontriez une résistance ou un obstacle. Une telle rencontre se traduira par la résistance à l'avancement du câble et/ou sa tendance à se tortiller latéralement dans la main de l'utilisateur.

8. Si le câble se met en charge à la rencontre d'un obstacle, soulagez-le en y tirant dessus sèchement à plusieurs reprises afin de dégager le couteau. Faites à nouveau avancer le câble lentement vers l'obstacle. Répétez ce processus jusqu'à l'élimination de l'obstacle. N'oubliez pas qu'il faut que le couteau tourne sans interruption et qu'il ne faut jamais forcer le câble. A ce point, le progrès effectué dépendra de l'affûtage de l'outil et la nature de l'obstacle.

▲ MISE EN GARDE !

Ne jamais permettre au câble de se mettre en charge. Cela arrivera lorsque l'outil de coupe s'accroche et s'immobilise, tandis que le moteur et le câble continuent à tourner. La torsion du câble augmente jusqu'à ce que le câble se boucle, éventuellement autour de votre bras ou de votre main. Cela peut arriver soudainement et sans préavis, d'où l'importance de procéder lentement et précautionneusement lorsque vous faites avancer le câble dans la canalisation. Le fait de lâcher le levier d'embrayage arrêtera la rotation du câble et le soulagera. Lorsqu'un outil s'entrave dans un obstacle, reportez-vous au chapitre "Utilisation de la marche arrière" de la section "Procédés spéciaux".

9. Une fois l'obstacle dégagé, il est conseillé de rincer la canalisation à grande eau pour en dégager les débris. Si nécessaire, répétez l'étape n° 8 à plusieurs reprises afin d'assurer le nettoyage complet de cette section de la canalisation avant de procéder au dégagement des obstacles suivants.
10. Procédez comme suit pour ajouter des sections de câble supplémentaires :

- Arrêtez la machine (position OFF) dès que vous arrivez à la fin de la section de câble en cours.
- Arrimez le câble en le bouclant dans le point d'entrée (Figure 8). Cela peut s'avérer particulièrement utile lorsqu'il s'agit d'une canalisation à forte pente.

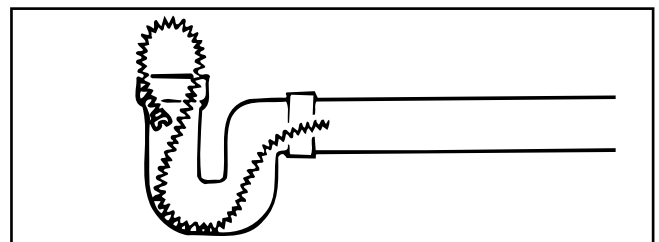


Figure 8 – Bouclage du câble au point d'entrée

- Une fois le câble arrimé, introduisez une nouvelle section de câble (raccord femelle en premier) via l'avant de la machine jusqu'à ce qu'il n'en dépasse qu'environ 1 pied à l'avant de la machine.
- Raccordez ce câble à celui resté en attente dans la canalisation, puis reprenez l'opération.

11. Utilisez la méthode suivante pour retirer le câble de la canalisation d'évacuation :

- Laissez le commutateur FOR/OFF/REV en position FOR (marche avant).
- Engagez le câble en rabattant le levier d'embrayage. Si possible, retirez le câble de la canalisation avec votre main gantée, sinon, appuyez-le contre le rebord du point d'entrée pour le 'dévisser' jusqu'à ce qu'une boucle se forme devant la machine.

NOTA ! En appuyant le câble contre le rebord du point d'entrée, sa rotation le 'dévissera' rapidement de la canalisation.

- Une fois la boucle formée, lâchez le levier d'embrayage et repoussez le câble excédentaire vers l'arrière de la machine. Déconnectez une seule section de câble à la fois.

▲ MISE EN GARDE N'oubliez pas d'arrêter la machine et arrimer le câble suivant avant de déconnecter cette longueur de câble.

- Après avoir retiré la longueur de câble déconnectée, introduisez les sections de câble suivantes via l'avant de la machine et continuez à les retirer jusqu'à ce que l'outil en tête de la dernière longueur de câble se trouve à proximité du point d'entrée.

▲ MISE EN GARDE Ne jamais tenter de retirer l'outil de la canalisation pendant que le câble tourne. L'outil risque de fouetter et provoquer de graves blessures corporelles.

12. Mettez le commutateur FOR/OFF/REV en position OFF.

13. Retirez le restant du câble et l'outil de la canalisation.

AVERTISSEMENT En fin de chantier, rincez soigneusement les câbles, raccords et outils à l'eau avant de les essorer, afin de les protéger contre les effets nocifs des produits chimiques.

Procédés spéciaux

Utilisation de la marche arrière

L'utilisation de la marche arrière entraînera la défaillance prématurée du câble. N'utilisez la marche arrière que pour déloger un outil entravé dans un obstacle. Le cas échéant, retirez immédiatement votre pied de la pédale de commande pneumatique et laissez la machine s'arrêter complètement. Mettez le commutateur FOR/OFF/REV en position REV (marche arrière). Desserrez la molette d'embrayage. Prenez le câble dans vos mains gantées et tirez-le, tout en tapotant sur la pédale de commande. Une fois que l'outil a été délogé et que le tambour a cessé de tourner, mettez le commutateur FOR/OFF/REV

en position FOR (marche avant), puis reprenez le processus opérationnel normal.

▲ MISE EN GARDE Ne jamais utiliser la position REV (marche arrière) pour d'autres raisons quelconques. L'utilisation de la marche arrière risque d'endommager le câble et provoquer de graves blessures.

Réglage des mâchoires

Câble Ø 7/8 po

- Lorsque le câble de 7/8 po n'arrive pas à s'enfiler dans l'avant de la machine, c'est que les mâchoires ne sont pas suffisamment ouvertes.
- Retirez le guide-câble arrière de la molette de réglage attachée au bâti.
- Desserrez la vis de blocage de la molette de réglage à l'aide d'une clé Allen de 1/4 po (*Figure 9*).
- Tournez la molette de réglage à gauche d'environ deux tours, jusqu'à ce que le câble puisse être enfilé dans la machine (*Figure 10*).
- Une fois le câble passé les mâchoires, rabattez le levier d'embrayage pour vous assurer que les mâchoires s'engagent sur le câble. A défaut, tournez la molette à droite jusqu'à ce que les mâchoires s'engagent.
- Vous pouvez éventuellement tourner la molette de réglage dans la direction nécessaire pour que le levier d'embrayage se trouve à la position voulue par l'opérateur lorsque les mâchoires s'engagent sur le câble.



Figure 9 – Desserer la vis de blocage

- Serrez la vis de blocage.
- Remontez le guide-câble arrière.


Figure 10 – Réglage des mâchoires
Câble Ø 5/8 po

- Si la mâchoire n'entraîne pas le câble en appuyant sur le levier d'embrayage, c'est que la mâchoire est trop ouverte.
- Retirez le guide-câble arrière de la molette de réglage attachée au bâti.
- Desserrez la vis de blocage de la molette de réglage à l'aide d'une clé Allen de 1/4 po (Figure 9).
- Tournez la molette de réglage à droite jusqu'à ce que les mâchoires l'engagent lorsque le levier d'embrayage est rabattu (deux tours environ) (Figure 10).
- Vous pouvez éventuellement tourner la molette de réglage dans la direction nécessaire pour que le levier d'embrayage se trouve à la position voulue par l'opérateur lorsque les mâchoires s'engagent sur le câble.
- Serrez la vis de blocage.
- Remontez le guide-câble arrière.

Accessories

▲ MISE EN GARDE Seuls les produits RIDGID suivants sont adaptés aux dégorgeoirs à câble à raccord rapide. Toute tentative d'adaptation d'accessoires prévus pour d'autres types d'appareils peut s'avérer dangereuse. Afin d'éviter les risques de blessure grave, n'utilisez que les accessoires recommandés.

Tableau de sélection des câbles

Modèle	Longueur	Ø/Type	Application	Caractéristiques
C-7	7 1/2 pieds	5/8 po (16 mm)	Siphons de sol Ø 2 et 3 po	Câble à âme creuse dont le bobinage serré assure une bonne rigidité. Déconseillé pour les racines d'arbre.
C-8	7 1/2 pieds	5/8 po (16 mm)	Evacuations Ø 1 1/4 à 2 po. Idéal pour le curage intégral des petites canalisations	Câble à bobinage ouvert, plus souple que le C-7. Le bobinage ouvert aide au curage des parois des petites canalisations.
C-9	10 pieds	5/8 po (16 mm)	Evacuations Ø 2 à 4 po. Idéal pour les évacuations et chutes	Câble industriel à bobinage ouvert prévu pour les évacuations intérieures de grande longueur.
C-10	15 pieds	7/8 po (22 mm)	Evacuations Ø 2 à 4 po. Evénements de chute en toiture	Bobinage ouvert standard universel. Excellente flexibilité.

Câble et amorce Ø 7/8 po

Réf. Catalogue	Modèle	Désignation
62275	C-10	Câble de 4,57 m (15 pieds) à bobinage universel
30007	T-127	Amorce à siphons Ø 7/8 po

Câbles Ø 5/8 po

Réf. Catalogue	Modèle	Désignation
51317	C-9	Câble industriel de 3 m (10 pieds)
62270	C-8	Câble de 2,30 m (7 1/2 pieds) à bobinage universel
62265	C-7	Câble de 2,30 m (7 1/2 pieds) à bobinage serré

Jeux de câbles et boîte à outils

Réf. Catalogue	Modèle	Désignation
61630	A-62	Jeu de câbles standard pour K-60SP-SE comprenant : – Cinq longueurs de 15 pieds (4,57 m) de câble C-10 Ø 7/8 po – Porte-câbles A-8
61625	A-61	Jeu d'outils standard pour K-60SP-SE comprenant : – Tarière droite T-101 – Tarière conique T-102 – Tête d'aspic T-107 – Tarière de récupération T-125 – Couteau denté T-150-1 – Boîte à outils A-3 – Clé à broche A-12
48472	A-35	Jeu de câbles Ø 5/8 po comprenant : – Six longueurs de 7 1/2 pieds (2,29 m) de câble C-8 Ø 5/8 po – Porte-câbles A-10 – Tarière droite T-201 – Tulipe T-202 – Couteau 'C' T-205 – Tête d'aspic T-211 – Clé à raccords A-13
48477	A-35TW	Jeu de câbles C-7 de Ø 5/8 po à bobinage serré en remplacement des câbles C-8 de l'ensemble précédent

Outils pour câble C-10

Réf. Catalogue	Modèle	Désignation
62850	T-101	Tarière droite
62855	T-102	Tarière conique
27642	T-125	Tarière de récupération
62860	T-103	Couteau denté Ø 2 1/2 po
62865	T-104	Couteau 'H' Ø 2 1/2 po
62870	T-105	Couteau à graisse Ø 2 1/2 po
62875	T-106	Couteau à graisse Ø 3 1/2 po
62880	T-107	Tête d'aspic Ø 1 3/4 po
62915	T-109	Couteau denté hélicoïdal Ø 1 3/4 po
62920	T-110	Couteau denté hélicoïdal Ø 2 1/4 po
62925	T-111	Couteau denté hélicoïdal Ø 3 po
62930	T-112	Couteau 4-lames Ø 1 3/4 po
62935	T-113	Couteau 4-lames Ø 3 po
98050	T-150	Couteau denté à lames de 3 et 4 po
98055	T-150-1	Couteau denté à lame de 3 po
98060	T-150-2	Couteau denté à lame de 4 po
62940	T-114	Chaîne de curage

Outils pour câbles C-7, C-8 et C-9

Réf. Catalogue	Modèle	Désignation
62990	T-201	Tarière droite
62995	T-202	Tulipe Ø 1 1/8 po
63000	T-203	Tulipe Ø 7/8 po
55457	T-225	Tarière de récupération
63065	T-217	Tarière orientable
54837	T-204	Couteau 'C' Ø 1 po
63005	T-205	Couteau 'C' Ø 1 3/8 po
63010	T-206	Tarière conique
63015	T-207	Couteau hélicoïdal Ø 1 1/4 po
63020	T-208	Couteau hélicoïdal Ø 1 1/2 po
63025	T-209	Couteau hélicoïdal Ø 2 po
63030	T-210	Tête d'aspic Ø 1 po
63035	T-211	Tête d'aspic Ø 1 3/8 po
63040	T-212	Tête d'aspic Ø 1 3/4 po
63045	T-213	Couteau 4-lames Ø 1 po
63050	T-214	Couteau 4-lames Ø 1 3/8 po
63055	T-215	Couteau 4-lames Ø 1 3/4 po
63060	T-216	Chaîne de curage de 2 po
63280	T-218	Brosse à événements Ø 3 po
63070	T-219	Brosse à événements Ø 2 1/2 po
63080	T-220	Brosse à événements Ø 2 po
63220	T-221	Brosse à événements Ø 1 1/2 po
52812	T-230	Couteau 'C' industriel Ø 2 po
52817	T-231	Couteau 'C' industriel Ø 2 1/2 po
52822	T-232	Couteau 'C' industriel Ø 3 po
48482	T-250	Jeu d'outils comprenant : - T-203 - T-217 - T-205 - A-13 - T-210

Divers

Réf. Catalogue	Modèle	Désignation
59360	A-3	Boîte à outils
59205	A-1	Mitaine main gauche
59295	A-2	Mitaine main droite
59225	A-12	Clé à broche pour câble Ø 7/8 po
59230	A-13	Clé à broche pour câble Ø 5/8 po
61615	A-60-12	Guide-câble arrière de 12 pieds pour câble C-10 Ø 7/8 po
59235	A-14-6	Guide-câble arrière de 6 pieds pour câbles C-7, C-8, C-9 Ø 5/8 po
84325	A-14-10	Guide-câble arrière de 10 pieds pour câbles C-7, C-8, C-9 Ø 5/8 po
59470	A-8	Porte-câbles (capacité : 75 pieds de câble C-10 Ø 7/8 po)
59210	A-10	Porte-câbles (capacité : 45 pieds de câble C-10 Ø 7/8 po)
		Porte-câbles (capacité : 90 pieds de câble C-8, C-9 Ø 5/8 po)
59425	A-36	Chariot à câbles
65687		Jeu de mâchoires pour K-60SP

NOTA ! Consultez le catalogue Ridge Tool pour une liste complète des outils et accessoires disponibles.

Entretien
▲ MISE EN GARDE !

S'assurer que la machine est débranchée avant tout entretien ou réglage.

Lubrification

Graissez la machine via le graisseur situé sur le carter des mâchoires une fois par semaine si la machine sert quotidiennement, une fois par mois si elle sert moins souvent.

NOTA ! L'arbre du moteur ne nécessite aucune lubrification.

Câbles

Les câbles doivent être soigneusement rincés à l'eau afin d'empêcher leur détérioration en présence de produits de nettoyage. Lubrifiez les câbles et raccords régulièrement avec du RIDGID Cable Rust Inhibitor.

Protégez les câbles non utilisés contre les intempéries en les rangeant à l'intérieur.

Les câbles doivent être remplacés dès qu'ils deviennent excessivement usés ou corrodés. Un câble est considéré usé lorsque les brins extérieurs s'aplatissent ou qu'ils perdent leur rigidité.

Mâchoires d'embrayage

Les mâchoires d'embrayage doivent être nettoyées régulièrement.

1. Mettez la machine debout sur la partie frontale du

cadre. Assurez-vous que le levier d'embrayage se trouve à la verticale. Utilisez une clé Allen de 1/4 po pour enlever les deux (2) vis du carter d'embrayage (Figure 11).



Figure 11 – Enlevez les vis Allen

2. Retirez le carter d'embrayage. Les mâchoires d'embrayage se trouvent à l'intérieur du carter.
3. Retirez le couvercle des mâchoires en le tournant à gauche (Figure 12).
4. Nettoyez les mâchoires d'embrayage, leur couvercle et l'intérieur du carter d'embrayage.
5. Remplacez le jeu de mâchoires si les mâchoires sont usées.
6. Réinstallez les mâchoires dans le carter, puis réinstallez leur couvercle.
7. Tournez la molette de réglage à droite jusqu'à ce que les mâchoires touchent le couvercle. Cela assurera le bon alignement des mâchoires.
8. Remontez le carter d'embrayage sur la machine à l'aide des vis Allen.

NOTA ! Assurez-vous que le rebord du carénage en plastique ne sort pas du carter d'embrayage.



Figure 12 – Retrait du couvercle des mâchoires

Remplacement de la courroie d'entraînement

1. Mettez la machine debout sur la partie frontale du cadre. Assurez-vous que le levier d'embrayage se trouve à la verticale. Utilisez une clé Allen de 1/4 po pour enlever les deux (2) vis du carter d'embrayage (Figure 11).
2. Retirez le carter d'embrayage.
3. Desserrez l'écrou de blocage qui se trouve sur le côté de la machine (Figure 13).
4. Utilisez une clé Allen de 3/16 po pour tourner la vis de calage du moteur à gauche jusqu'à ce que la courroie soit suffisamment desserrée pour être enlevée.



Figure 13 – Desserrer l'écrou de blocage

5. Installez une nouvelle courroie, puis remettez la machine en position normale pour que le poids du moteur tende la courroie.
6. Tournez la vis de calage du moteur jusqu'à ce qu'elle touche le moteur. Lorsque la vis de calage touche le moteur, tournez-la un demi-tour à droite.

NOTA ! Ne serrez pas cette vis de calage en l'enfonçant dans le moteur.

7. Immobilisez la vis de calage avec la clé Allen de $\frac{3}{16}$ po, puis serrez l'écrou de blocage (Figure 14).

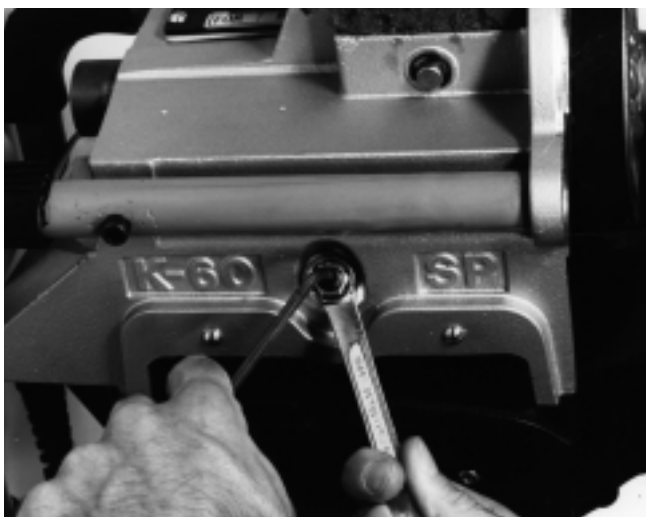


Figure 14 – Serrez l'écrou de blocage

8. Montez le carter d'embrayage sur la machine à l'aide des vis Allen.

Stockage de la machine

▲ MISE EN GARDE Tout matériel électrique doit être stocké à l'intérieur ou convenablement protégé contre la pluie. Stockez la machine dans un endroit clos, hors de la portée des enfants et des personnes non familiarisés avec les dégorgeurs. Cette machine peut être très dangereuse entre les mains d'un novice.

Lorsque la machine a été exposée au gel, elle doit tourner à vide pendant dix (10) ou vingt (20) minutes afin de se réchauffer. Ne pas le faire aurait pour résultat le grippe des paliers. Si la machine est exposée aux intempéries pendant un certain temps, le moteur grillera en raison de l'humidité restée autour de son bobinage.

Entretien et réparations

▲ MISE EN GARDE !



Les consignes d'entretien couvrent la majorité des besoins d'entretien de la machine. Tous problèmes qui ne sont pas couverts dans cette section doivent être adressés à un réparateur RIDGID autorisé.

L'appareil doit être alors confié à un réparateur RIDGID autorisé ou renvoyé à l'usine. Toutes réparations effectuées par l'usine Ridge sont garanties contre les vices de matériel ou de main d'œuvre éventuels.

▲ MISE EN GARDE Utilisez exclusivement des pièces de rechange d'origine lors de la réparation de cette machine. Des chocs électriques ou de graves blessures corporelles peuvent résulter du non-respect de cette consigne.

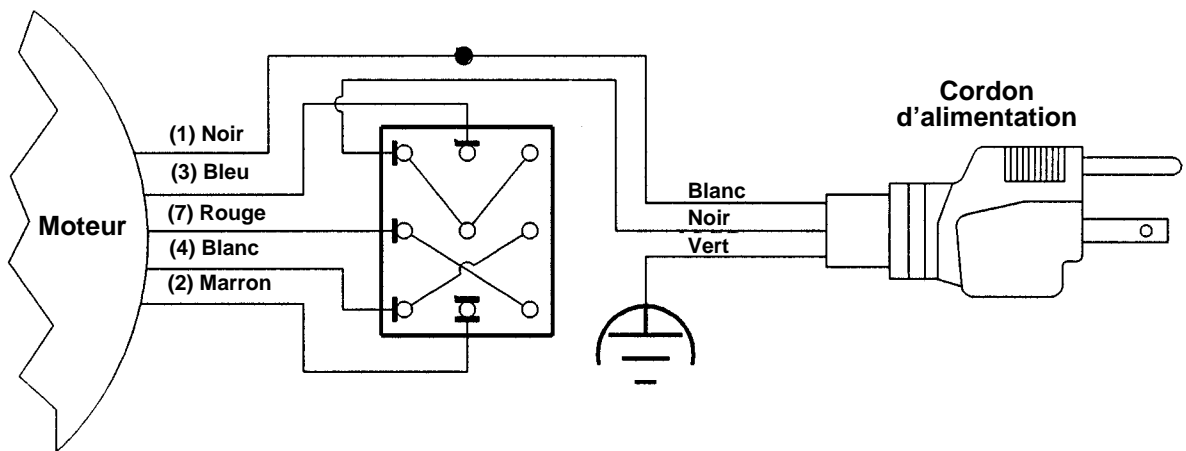
Veillez adresser toutes questions éventuelles concernant l'entretien ou la réparation de cette machine aux coordonnées suivantes :

Ridge Tool Company
 Technical Service Department
 400 Clark Street
 Elyria, Ohio 44035-6001
 Tel: (800) 519-3456
 E-mail: TechServices@ridgid.com

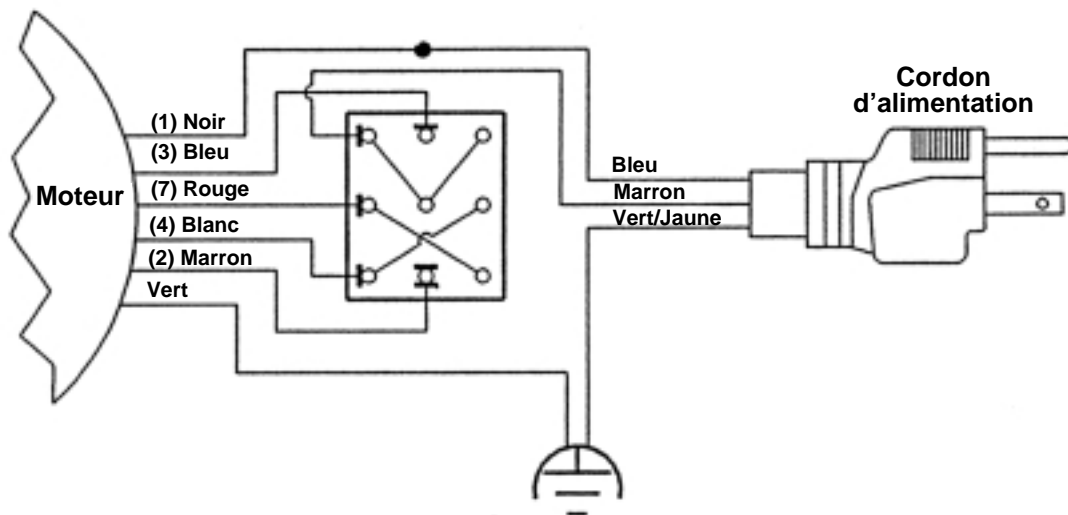
Pour obtenir les coordonnées du concessionnaire le plus proche, consultez-nous : (800) 519-3456 ou <http://www.ridgid.com>.

Schéma électrique

115V/60 Hz



230V/50 Hz





Máquina limpiadora de desagües K-60SP



Limpiadoras de desagües K-60SP

A continuación apunte y retenga el número de serie de la máquina que se encuentra en su placa de características.

No. de
serie

--

Índice

Ficha para apuntar el Modelo y Número de Serie de la máquina31

Información general de seguridad

 Seguridad en la zona de trabajo33

 Seguridad eléctrica.....33

 Seguridad personal34

 Uso y cuidado de la máquina34

 Servicio.....34

Información específica de seguridad

 Seguridad de la limpiadora de desagües35

Descripción, especificaciones y equipo estándar

 Descripción.....35

 Especificaciones.....35

 Equipo estándar36

Inspección de la máquina36

Preparación de la máquina37

Instrucciones de funcionamiento37

Procedimientos para usos especiales

 Funcionamiento en reversa.....40

 Ajuste del juego de mordazas40

Accesorios41

Instrucciones de mantenimiento

 Lubricación43

 Cables43

 Conjunto de las mordazas del embrague.....43

 Recambio de la correa de accionamiento43

Almacenamiento de la máquina44

Mantenimiento y reparaciones45

Diagrama de cableado46

Garantía vitaliciacarátula posterior

Información general de seguridad

¡ADVERTENCIA! Lea y comprenda todas las instrucciones. Pueden ocurrir golpes eléctricos, incendios y/o lesiones corporales graves si no se siguen todas las instrucciones detalladas a continuación.

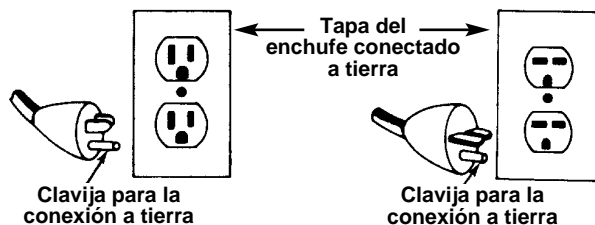
¡GUARDE ESTAS INSTRUCCIONES!

Seguridad en la zona de trabajo

- **Mantenga su área de trabajo limpia y bien alumbrada.** Los bancos de trabajo desordenados y las zonas oscuras son una invitación a los accidentes.
- **No haga funcionar aparatos eléctricos en medio ambientes explosivos, como por ejemplo en la presencia de líquidos, gases o polvos inflamables.** Estos aparatos generan chispas que pueden encender el polvo o los gases.
- **Al hacer funcionar una máquina a motor, mantenga apartados a los espectadores, niños y visitantes.** Las distracciones pueden causar que pierda el control del aparato.

Seguridad eléctrica

- **Las máquinas provistas de conexión a tierra deben ser enchufadas a un tomacorriente debidamente instalado y conectado a tierra de acuerdo con todos los códigos y reglamentos. Jamás extraiga del enchufe de la máquina la tercera clavija que conduce a tierra ni lo modifique de manera alguna. No use ningún tipo de enchufe adaptador. Consulte con un electricista calificado si no puede determinar acaso el tomacorriente está debidamente conectado a tierra.** En la eventualidad de que la máquina sufra una avería eléctrica o de otro tipo, la conexión a tierra proporciona una vía de baja resistencia para conducir la electricidad lejos del operario.



- **Evite que su cuerpo haga contacto con superficies conectadas a tierra.** Si su cuerpo queda conectado a tierra, aumenta el riesgo de que sufra un choque eléctrico.
- **No exponga las máquinas eléctricas a la lluvia o a condiciones mojadas.** Si agua penetra en un aparato

eléctrico, aumenta el riesgo de que se produzca un golpe eléctrico.

- **No maltrate el cordón. Nunca use el cordón para sacar el enchufe del tomacorriente. Mantenga el cordón lejos de fuentes de calor, aceite, bordes cortantes o piezas movibles. Recambie los cordones dañados de inmediato.** Los cordones en mal estado aumentan los riesgos de que se produzca un choque eléctrico.
- **Al hacer funcionar una máquina a motor a la intemperie, emplee un cordón de extensión fabricado para uso exterior y rotulado “W-A” o “W”.** Estos cordones han sido diseñados para su empleo al aire libre y reducen el riesgo de que se produzca un choque eléctrico.
- **Sólo use un cordón de extensión de tres alambres equipado con un enchufe de tres clavijas para conexión a tierra, y un tomacorriente tripolar que acoja a las tres clavijas del enchufe de la máquina.** Otros alargadores no conectarán la máquina a tierra y aumentarán el riesgo de que se produzca un choque eléctrico.
- **Use cordones de extensión apropiados.** (Vea la tabla). Una dimensión insuficiente del conductor causará una caída excesiva del voltaje y una pérdida de potencia.

Dimensión mínima de alambre para cordones de extensión			
Amperios en la placa de características	Longitud total (en pies)		
	0-25	26-50	51-100
0-6	18 AWG	16 AWG	16 AWG
6-10	18 AWG	16 AWG	14 AWG
10-12	16 AWG	16 AWG	14 AWG
12-16	14 AWG	12 AWG	NO SE RECOMIENDA

- **Antes de usarla, pruebe el Interruptor del Circuito de Pérdida a Tierra (GFCI) incorporado en el cordón de suministro para cerciorarse de que funciona correctamente.** El GFCI reduce el riesgo de que ocurran choques eléctricos.
- **No se recomienda el uso de cordones de extensión al menos que vayan enchufados a un Interruptor del Circuito de Pérdida a Tierra (GFCI) situados en cajas de circuitos o tomacorrientes.** El interruptor GFCI en el cordón de la máquina no impedirá la ocurrencia de choques eléctricos provenientes de un cordón de extensión.
- **Mantenga todas las conexiones eléctricas secas y levantadas del suelo. No toque el enchufe con las manos mojadas.** De esta manera se evita un choque eléctrico.

Seguridad personal

- **Manténgase alerta, preste atención a lo que está haciendo y use sentido común cuando trabaje con una máquina a motor. No la use si está cansado o se encuentra bajo la influencia de drogas, alcohol o medicamentos.** Sólo un breve descuido mientras hace funcionar una máquina motorizada puede resultar en lesiones personales graves.
- **Vístase adecuadamente. No lleve ropa suelta ni joyas. Amarre una cabellera larga. Mantenga su cabello, ropa y guantes apartados de las piezas en movimiento.** La ropa suelta, las joyas o el pelo largo pueden engancharse en las piezas móviles.
- **Evite echar a andar la máquina sin querer. Antes de enchufarla, asegure que su interruptor se encuentre en la posición OFF (apagada).** Se producen accidentes cuando se enchufan máquinas que tienen su interruptor en la posición de encendido (ON).
- **Antes de encender la máquina, extraiga todas las llaves de regulación.** Una llave mecánica o una llave que se haya dejado acoplada a una pieza giratoria de la máquina puede ocasionar lesiones corporales.
- **No trate de extender su cuerpo para alcanzar algo. Mantenga sus pies firmes en tierra y un buen equilibrio en todo momento.** Al mantener el equilibrio y los pies firmes, tendrá mejor control sobre la máquina en situaciones inesperadas.
- **Use equipo de seguridad. Siempre lleve protección para la vista.** Cuando las condiciones lo requieran, debe usar mascarilla para el polvo, calzado de seguridad antideslizante, casco duro o protección para los oídos.

Uso y cuidado de la máquina

- **Emplee una abrazadera u otro medio práctico para sujetar la máquina sobre una plataforma estable.** Si sostiene la pieza de trabajo en el aire o contra su cuerpo, usted puede perder el equilibrio y el control sobre el aparato.
- **No fuerce la máquina. Use la máquina o herramienta adecuada para el trabajo que va a realizar.** Con la máquina correcta obtendrá mejores resultados, en forma segura y a la velocidad para la cual fue diseñada.
- **Si el interruptor de la máquina no la enciende o apaga, no use la máquina.** Cualquier máquina que no pueda ser controlada mediante su interruptor es peligrosa y debe ser reparada.
- **Antes de efectuar trabajos de regulación, de cambiar accesorios o de almacenar la máquina, des-**

conecte el enchufe de la fuente de corriente eléctrica. Este tipo de seguridad preventiva reduce el riesgo de poner la máquina en marcha involuntariamente.

- **Almacene las máquinas que no estén en uso fuera del alcance de los niños y de otras personas sin entrenamiento.** Las máquinas son peligrosas en las manos de usuarios no capacitados.
- **Efectúele cuidadoso mantenimiento a su máquina. Mantenga las herramientas de corte afiladas y limpias.** Es menos probable que una máquina bien mantenida y con herramientas de corte afiladas se trabaje, y es más fácil de controlar.
- **Verifique si las piezas móviles están desalineadas o agarradas, si hay piezas quebradas y si existe cualquiera otra condición que pueda afectar el funcionamiento de la máquina.** En el caso de estar dañada, antes de usar la máquina, hágala componer. Numerosos accidentes son causados por máquinas que no han recibido un mantenimiento adecuado.
- **Solamente use accesorios recomendados para su modelo.** Los accesorios que son los adecuados para una máquina pueden ser peligrosos acoplados a otra máquina.
- **Mantenga los mangos limpios y secos, libres de aceite y grasa.** Esto permite un mejor control de la máquina.

Servicio

- **Los trabajos de reparación a la máquina sólo deben ser efectuados por personal de reparación calificado.** El mantenimiento o reparaciones practicados por personal no calificado puede ocasionar lesiones.
- **Cuando le haga mantenimiento a la máquina, debe usar únicamente repuestos o piezas de recambio idénticas. Siga las instrucciones en la Sección de Mantenimiento en este manual.** Pueden producirse choques eléctricos o lesiones si no se emplean piezas y partes autorizadas o si no se siguen las instrucciones de mantenimiento.

Información específica de seguridad

▲ ADVERTENCIA

Lea este Manual del Operario detenidamente antes de poner en funcionamiento a la Limpiadora de Desagües K-60SP. Si no se siguen o no se comprenden las instrucciones de este manual, es posible

que ocurran choques eléctricos, incendios y/o lesiones personales graves.

Si tiene cualquier pregunta, llame al Departamento de Servicio Técnico de Ridge Tool Company al (800) 519-3456.

Seguridad de la Limpiadora de Desagües

- **Use el guante de cuero (piel) provisto con la máquina. Nunca agarre un cable que está girando con un trapo o con un guante de tela que le queda suelto.** Pueden enredarse en el cable y lesionarlo gravemente.
- **Nunca haga funcionar la máquina si se le han sacado sus cubiertas protectoras.** Pueden engancharse los dedos en las piezas giratorias.
- **No someta los cables a un esfuerzo excesivo. Controle el cable con las dos manos cuando la máquina está en marcha.** Cuando se somete al cable a demasiada tensión cuando se trata de atravesar una obstrucción, el cable puede doblarse, enroscarse o quebrarse y lesionar gravemente al operario.
- **Coloque la máquina a menos de dos pies de la entrada al desagüe.** Si se la sitúa demasiado lejos, el cable se puede torcer o enroscar.
- **Emplee la manguera guía trasera.** Ella evita que el cable dé latigazos o se enrede.
- **No haga funcionar la máquina en reversa (REV).** El funcionamiento de la máquina en marcha atrás puede causar daños al cable. Sólo se emplea para echar hacia atrás una herramienta en la punta del cable que se ha atascado en una obstrucción.
- **No haga funcionar la máquina con la palanca del embrague enclavada.** El embrague es un dispositivo de seguridad diseñado para detener el giro del cable.
- **Tenga cuidado cuando emplee la máquina para desatascar desagües en los cuales se han usado agentes químicos de limpieza. Evite el contacto directo con la piel y los ojos.** Algunas sustancias químicas provocan quemaduras de gravedad.
- **No haga funcionar la máquina si el operario o la máquina estarán parados sobre agua.** Esto aumenta la posibilidad de una descarga eléctrica.
- **Use anteojos de seguridad y zapatos con suelas de goma antideslizantes.** Así se evitan lesiones de gravedad.
- **Emplee la K-60SP únicamente para limpiar desagües de hasta 4 pulgadas de diámetro. Siga las instrucciones sobre el uso de la máquina.** Si se

somete la limpiadora de desagües a otros usos o se la modifica para efectuar con ella trabajos para los cuales no fue hecha, puede provocar lesiones.

Descripción, especificaciones y equipo estándar

Descripción

La RIDGID K-60SP es una máquina limpiadora de desagües portátil para limpiar desagües de 1¼ a 4 pulgadas de diámetro. Puede usársela para desatascar desagües de fregaderos de lavanderías, resumideros en el piso o suelo, conductos de ventilación en techos, y tiros o chimeneas. El mango trasero permite transportarla escaleras arriba y limpiar chimeneas o respiraderos que se encuentren en tejados.

Propulsa la máquina un motor de 1/2 HP dotado de un sistema eléctrico con conexión a tierra. El cordón de suministro lleva un Interruptor del Circuito de Pérdida a Tierra (GFCI) incorporado. Un interruptor de codillo permite el control del motor para FOR/OFF/REVERSE (adelante, apagada, reversa).

La máquina emplea cable seccionado que cuenta con un sistema de acoplamiento rápido para conectarle y cambiarle herramientas fácilmente. El cable se introduce y saca manualmente de la máquina y gira a una velocidad de 600 rpm. La rotación del cable se controla con la palanca del embrague. El cable se detiene instantáneamente cuando se suelta la palanca del embrague. Una perilla de ajuste permite que la K-60SP emplee cable seccionado ya sea de 5/8 o de 7/8 pulgada.

Especificaciones

Capacidaddepende del cable que se elija. Consulte la siguiente tabla para sugerencias.

Diámetro y longitud de la tubería

Diámetro del cable	Diámetro de la tubería	Alcance del cable
5/8 pulg.	1¼ a 4 pulg.	125 pies
1/2 pulg.	2 a 4 pulg.	150 pies

Tamaños de cable7/8 y 5/8 pulg., seccionales

Velocidad de giro600 rpm

Motor:

Tiporeversible, 115V/60Hz

Potencia1/2 HP

Amperaje7

Peso.....43 libras (19,5 kgs.)

Dimensiones:

Largo18 pulgs. (450mm)
 Ancho9,5 pulgs. (240mm)
 Altura14 pulgs. (356mm)

Equipo estándar

Modelo No. Descripción
 K-60SP.....Máquina K-60SP, 115 voltios, 60 Hz incluye:
 Mitón para el operario A-1
 Manguera guía trasera A-60-12



Figura 1 – Limpadora de desagües K-60SP

K-60SP-SE.....Máquina K-60SP como la anterior más:

- Juego de herramientas A-61:
- Barrena recta T-101
 - Barrena de embudo T-102
 - Cortadora de pala T-107
 - Barrena recuperadora T-125
 - Cortadora de dientes de tiburón T-150-1
 - Caja de herramientas A-3
 - Llave de pasador A-12

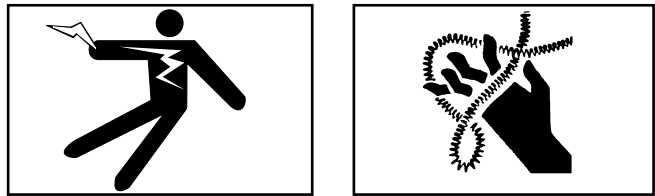
- Juego del cable A-62:
- Cinco secciones de cable C-10, 7/8 pulg. x 15 pies
 - Portacable A-8



Figura 2 – Limpadoras de desagües K-60SP-SE

Inspección de la máquina

⚠ ADVERTENCIA



Revise su Limpadora de Desagües para evitar lesiones corporales graves. Antes de cada uso deben realizarse los siguientes procedimientos de inspección.

1. Asegure que la máquina limpiadora esté desenchufada y el interruptor direccional esté en la posición de **OFF** (Figura 3).
2. Revise el cordón de suministro, el GFCI (Interruptor del Circuito de Pérdida a Tierra) y el enchufe, por si están dañados. Si el enchufe ha sido modificado, si le falta la clavija de conexión a tierra o si el cordón se encuentra dañado, no use la Limpadora de Desagües hasta que el cordón haya sido cambiado.

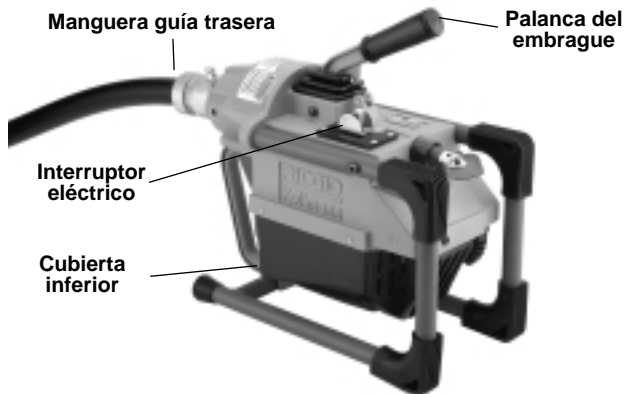


Figura 3 – Limpadoras de desagües K-60SP

3. Revise la cubierta inferior y asegure que está correctamente sujeta al bastidor.

⚠ ADVERTENCIA No haga funcionar esta máquina sin su cubierta inferior. Pueden engancharse los dedos en las piezas giratorias.

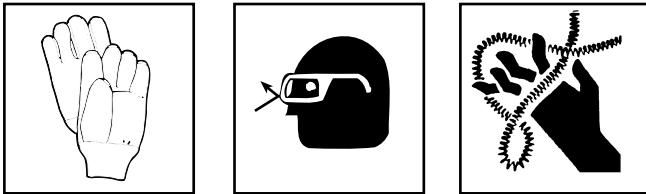
4. Revise la máquina limpiadora de desagües por si alguna de sus partes está quebrada, faltando, desalineada o agarrotada, y por si existe cualquiera otra condición que pueda afectar el funcionamiento normal y seguro de la máquina. Si detecta cualquiera de estas anomalías, no use la Limpadora de Desagües hasta que haya sido reparada.
5. Lubrique la Limpadora de Desagües, si es necesario, de acuerdo a las Instrucciones de Mantenimiento.

6. Emplee accesorios diseñados para usarse con su limpiadora y que son los requeridos para cada uso determinado. Los accesorios debidos le permiten realizar su labor en forma exitosa y segura. Los accesorios de otras máquinas pueden resultar peligrosos si se usan con esta limpiadora de desagües.
7. Limpie el aceite, grasa o mugre de todos los mangos y controles de la máquina. Esto reduce el riesgo de que se lesione si algún control o mango de la máquina se resbala de sus manos.
8. Revise los filos de corte de las herramientas que se acoplan a la punta del cable. Si es necesario, hágalas afilar o cámbielas antes de usar la Limpiadora de Desagües. Las herramientas desafiladas o dañadas pueden atascarse y romper el cable.
9. Revise los cables y acoplamientos por si estuvieran desgastados o dañados. Los cables deben cambiarse cuando se vuelvan muy desgastados o corroídos. Se nota que un cable está desgastado cuando sus espirales exteriores se han aplanado.

⚠ ADVERTENCIA Los cables desgastados o dañados pueden cortarse y causar graves lesiones.

Preparación de la máquina

⚠ ADVERTENCIA



No ponga la máquina sobre agua. Si al motor le entra agua, pueden ocurrir choques eléctricos.

Para evitar lesiones graves, se requiere preparar la máquina y la zona de trabajo adecuadamente. Para preparar la máquina para su uso deben seguirse los siguientes procedimientos:

1. Verifique que la zona de trabajo:
 - tenga suficiente luz.
 - tenga un tomacorriente con conexión a tierra.
 - tenga un camino despejado hacia el tomacorriente, libre de fuentes de calor o aceite, bordes afilados o piezas movibles que puedan dañar el cordón eléctrico.
 - tenga un lugar seco para el operario y la máquina. No ponga la máquina donde hay agua.
 - no tenga líquidos inflamables, vapores o polvo que puedan provocar un incendio.

2. Sitúe la Limpiadora de Desagües a menos de dos pies de la entrada al desagüe. A mayor distancia, el cable puede doblarse o enroscarse.
3. Extraiga la llave de pasador de la palanca del embrague. Cuando se ha extraído el pasador, la palanca debe encontrarse en su posición más alta.

¡NOTA! Cuando la máquina no está en uso, la palanca del embrague debe quedar en su posición enclavada (hacia abajo) para proteger la palanca y para permitir que el operario transporte la unidad tomándola de la palanca, si así lo desea.

4. Asegure que el interruptor de FOR/OFF/REV (adelante/apagada/reversa) esté en la posición de **OFF** (apagada).



Figura 4 – Acoplamiento de la manguera guía trasera

5. Acople la manguera guía trasera levantando el pasador de enclavamiento e introduciendo la manguera guía en la perilla de ajuste del alojamiento de las mordazas (*Figura 4*).

⚠ ADVERTENCIA No use la máquina si no tiene la manguera guía trasera acoplada. Evita que el cable dé latigazos o que se enrede y, gracias a ella, no se ensucia el lugar donde se trabaja.

6. Introduzca la primera sección de cable por la parte delantera de la máquina (extremo hembra primero) y empújelo a través de la manguera guía hasta que sólo quede un pie de cable fuera de la parte delantera de la máquina (*Figura 5*).



Figura 5 – Introducción del cable por la parte delantera de la máquina

⚠ ADVERTENCIA Nunca acople más de un cable a la vez. El cable se extenderá más allá de la manguera guía trasera.

¡NOTA! Ajuste las mordazas según se requiera. La K-60SP cuenta con un regulador para el juego de mordazas que permite que la máquina trabaje con un cable de 5/8 pulgada de diámetro o con uno de 7/8 pulgada. Consulte la sección “Procedimientos especiales”.

7. Seleccione e instale la herramienta deseada en la punta del cable. El conector de ranura en T permite encajar la herramienta con un clic al acoplador del cable (Figura 6). Para desmontar la herramienta, emplee la llave de pasador para oprimir el pulsador y luego desacople las partes.

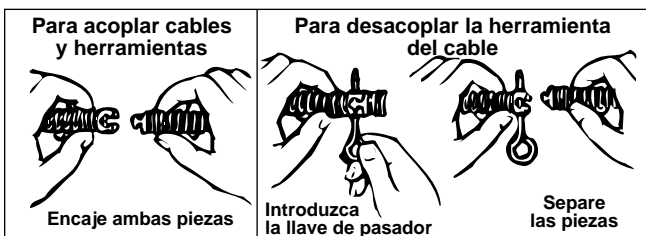


Figura 6 – Modo de acoplar y desacoplar herramientas

¡NOTA! Selección de la herramienta adecuada

Como regla general, debe emplearse una herramienta por lo menos una pulgada más pequeña que el diámetro del desagüe que se intenta limpiar. La naturaleza del trabajo que se va a realizar es la que determina el tipo de herramienta necesaria. Esto queda a criterio del operario.

8. Enchufe la Limpiadora de Desagües al tomacorriente,

asegurando que el cordón de suministro se encuentre en la zona despejada seleccionada con anterioridad. Si el cordón de suministro eléctrico no alcanza al tomacorriente, ocupe un cordón de extensión en buenas condiciones.

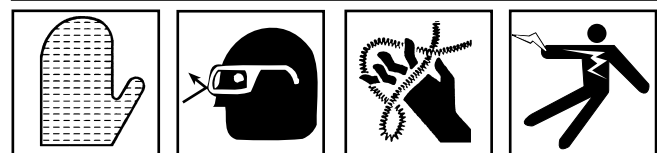
⚠ ADVERTENCIA Para evitar un choque eléctrico e incendios eléctricos, jamás use un cordón de extensión dañado o que no cumpla con los siguientes requisitos:

- tener un enchufe de tres clavijas similar al que se muestra en la sección Seguridad Eléctrica.
- tener una clasificación “W” ó “W-A” si se lo va a usar al aire libre.
- tener un grosor de alambre suficiente (16 AWG cuando su longitud es inferior a 50 pies, y 14 AWG cuando mide entre 50 y 100 pies de largo). Si el calibre de los alambres es inferior al necesario, el cordón puede recalentarse, derretir el aislante del cordón, o inflamar objetos cercanos.

⚠ ADVERTENCIA Para reducir el peligro de que se produzca un choque eléctrico, mantenga todas las conexiones secas y levantadas del piso. No toque el enchufe con las manos mojadas. Pruebe el Interruptor del Circuito de Pérdida a Tierra (GFCI) proporcionado con el cordón eléctrico para asegurar que funciona correctamente. Cuando se oprime el botón de prueba (test button), la luz del indicador debe apagarse. Para re-activarlo, oprima el botón de prueba. Si la luz del indicador se enciende, la máquina está lista para usarse. Si el GFCI no funciona debidamente, no use la máquina.

Instrucciones de funcionamiento

⚠ ADVERTENCIA



Use los mitones remachados provistos con la máquina. Nunca agarre un cable que se encuentra girando con un trapo o un guante de tela que le queda suelto, porque pueden enrollarse en el cable y lesionarlo gravemente.

Siempre use protección para los ojos para evitar que les entren mugre u otros objetos extraños. Use zapatos con suela de goma y antideslizantes.

Tenga sumo cuidado cuando vaya a limpiar desagües por los que se han vaciado compuestos químicos de limpieza. Use guantes cuando maneje el cable y evite el contacto directo con la piel y especialmente con los ojos y la cara, porque puede causarle quemaduras graves.

No haga funcionar la máquina si la palanca del embrague está dañada o no funciona como es debido.

El embrague es un dispositivo de seguridad: cuando se lo suelta, el cable debe dejar de girar.

⚠ CUIDADO Es importante conocer de antemano la distancia aproximada que existe desde la entrada o acceso al desagüe hasta la alcantarilla principal o el pozo séptico. Si el cable se introduce demasiado lejos dentro de la alcantarilla matriz o del pozo séptico, puede anudarse y no caber de regreso por la tubería de menor diámetro. Si está empleando un cable estándar de 1¼ pulgada en una tubería de 12 pulgadas o más de diámetro, no permita que el cable sobrepase los 10 a 15 pies. Cuando trabaje en un pozo séptico, no permita que el cable rebase más allá de 3 a 5 pies del límite.

1. Adopte la postura correcta para mantener un buen equilibrio (Figura 7).

⚠ ADVERTENCIA Si mantiene una buena postura, podrá controlar la máquina y el cable en situaciones inesperadas.

- Asegure que puede soltar la palanca del embrague rápidamente.
- Su mano enguantada debe estar sobre el cable para controlar su acción giratoria cuando penetra en un atasco.
- Debe poder alcanzar con facilidad el interruptor de FOR/OFF/REV (adelante, apagada, reversa).



Figura 7 – Postura correcta para trabajar

2. Saque la suficiente longitud de cable fuera de la máquina para introducir la herramienta y el cable en el acceso al desagüe. Si el cable tendrá que avanzar por una trampilla en P, empuje el cable dentro del desagüe hasta donde más pueda.
3. Tire más cable a través de la máquina como para casi formar un semicírculo entre la máquina y el acceso al desagüe.
4. Sin apretarlo, sostenga el cable con la mano enguantada. Coloque el interruptor de FOR/OFF/REV en la posición de FOR (adelante).

¡NOTA! El motor comenzará a funcionar pero el cable no girará.

5. Mientras su mano enguantada está sobre el cable, con la otra empuje la palanca del embrague hacia abajo para embragar el cable. Para hacer avanzar el cable, empuje bruscamente sobre la parte superior de la lazada (del cable).

¡NOTA! Un enganche lento o gradual del embrague causa un desgaste excesivo de las mordazas. El embrague es de acción instantánea y al regresar la palanca del embrague a su posición original, ésta libera el cable instantáneamente.

6. Tan pronto como el exceso de cable haya penetrado en el desagüe, suelte la palanca del embrague y extraiga de la máquina, con su mano enguantada, entre seis y diez pulgadas de cable.
7. Continúe introduciendo el cable hasta que encuentre resistencia o una obstrucción. El operario se dará cuenta de que se ha topado con una obstrucción porque se le hará difícil alimentar más cable por la tubería y/o el cable tenderá a irse de costado de las manos del operario.
8. Si el cable se resiste en la obstrucción, alivíelo retrayéndolo con tirones cortos y rápidos para liberar a la herramienta cortadora. Vuelva a meter el cable lentamente en la obstrucción. Repita este procedimiento hasta que se haya despejado la obstrucción. Recuerde: asegure que la cortadora esté girando constantemente y nunca fuerce el cable. En este momento, el progreso depende de lo afilada que se encuentre la herramienta de corte y de la naturaleza de la obstrucción.

⚠ ADVERTENCIA

No permita que se acumule tensión en el cable. Esto ocurrirá si la herramienta de corte se queda enganchada y cesa de girar, mientras el motor y el cable continúan girando. Puede acumularse tal momento torsor que el cable se tuerce, pudiendo enroscarse en la mano o el brazo. Esto puede suceder rápidamente, sin previo aviso, por lo tanto, proceda lenta y cuidadosamente cuando vaya alimentando el cable por el desagüe. Si suelta la palanca del embrague el cable dejará de girar y se acabará el par de torsión. Si la herramienta se queda enganchada en un atasco, consulte las Instrucciones para el Funcionamiento en Reversa en la sección "Procedimientos especiales".

9. Una vez desatascada la obstrucción, se recomienda que el operario purgue los desechos en la tubería con agua corriente. Repita el paso 8 varias veces, si es necesario, para lograr una limpieza rigurosa, y luego proceda a atravesar los demás atascos si los hay.

10. Para agregar cable, siga el siguiente procedimiento:

- Cuando llegue al extremo final de cada sección de cable, apague la máquina.
- Sujete el final del cable en la entrada del desagüe metiendo su extremo en la tubería como se muestra en la *Figura 8*. Este procedimiento es especialmente útil cuando se está limpiando un desagüe con una caída considerable.

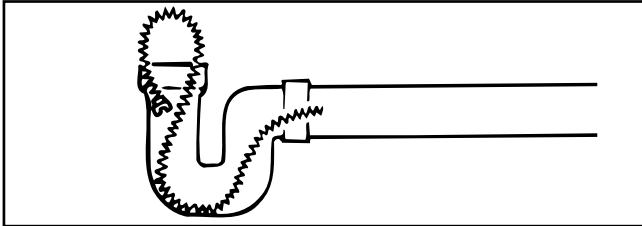


Figura 8 – Modo de sujetar el cable a la entrada del desagüe

- Introduzca otra sección de cable a través de la parte delantera de la máquina (con el extremo hembra primero) hasta que quede aproximadamente un pie fuera de la parte delantera de la máquina.
- Acople esta nueva sección de cable al cable que está dentro del desagüe y reanude la faena.

11. Para retraer el cable del desagüe, haga lo siguiente:

- Deje el interruptor de FOR/OFF/REV en la posición de FOR (adelante).
- Lleve la palanca del embrague hacia abajo para engranar el cable. Con la mano enguantada tire del cable hacia fuera del desagüe (si es posible) o sostenga el cable contra el borde de la entrada para ayudar a retraerlo hasta que forme una lazada delante de la máquina.

¡NOTA! Al sujetar el cable contra el borde de la entrada al desagüe, su rotación lo hará salir rápidamente.

- Cuando se forme la lazada, suelte la palanca del embrague y empuje el exceso de cable de regreso a través de la máquina. Desconecte una sección de cable a la vez.

⚠ ADVERTENCIA Cuando proceda a desconectar secciones de cables, recuerde que debe apagar la máquina y sujetar el extremo del cable que se encuentra en el desagüe como se ha indicado.

- Una vez que se haya extraído una de las secciones del cable, tome el extremo de la próxima sección de cable que se encuentra asegurado en el acceso al desagüe. Introduzca esta nueva sección por la parte delantera de la máquina y continúe, de esta forma, extrayendo secciones de cable hasta que la herramienta en la punta de la

última sección se encuentre próxima a emerger del acceso al desagüe.

⚠ ADVERTENCIA Nunca retraiga la herramienta desde la entrada al desagüe mientras el cable está girando. La herramienta puede dar latigazos y causar graves lesiones.

12. Gire el interruptor de FOR/OFF/REV a la posición de OFF y desenchufe la máquina.

13. Extraiga el cable restante y la herramienta en su punta, fuera del desagüe.

⚠ CUIDADO Terminada la limpieza del desagüe, lave a fondo y seque los cables, acoplamientos y herramientas de corte con agua, puesto que algunos compuestos químicos empleados en la limpieza de desagües son corrosivos.

Procedimientos para usos especiales

Funcionamiento en reversa

El funcionamiento de la máquina en marcha atrás o reversa dañará al cable prematuramente. Use la reversa sólo para liberar a una herramienta o cable trabado en una obstrucción. Si esto ocurre, inmediatamente suelte la palanca del embrague y ponga el interruptor de FOR/OFF/REV (adelante/apagada/reversa) en la posición de OFF (apagada). Después que el motor se haya detenido por completo, coloque el interruptor de FOR/OFF/REV (adelante/apagada/reversa) en reversa. Accione la palanca del embrague sólo hasta que la herramienta se libere de la obstrucción. Suelte la palanca del embrague apenas la herramienta se desatasque. Apague la máquina (OFF). Haga marchar la máquina en la dirección de FOR (adelante) y siga operando la máquina en forma normal.

⚠ ADVERTENCIA Nunca haga funcionar esta máquina en REV (REVERSA) por algún otro motivo. El funcionamiento de la máquina en REV (reversa) puede dañar el cable y causar lesiones de gravedad.

Ajuste del conjunto de mordazas

Cable de 7/8 pulgada de diámetro

- Si el cable de 7/8 pulgada no pasa por la parte delantera de la máquina, el conjunto de mordazas no está lo suficientemente abierto.
- Extraiga la manguera guía trasera fuera de la perilla de ajuste en el alojamiento de las mordazas.
- Afloje el tornillo de retención en la perilla de ajuste con una llave hexagonal de 1/4 pulgada (*Figura 9*).
- Gire la perilla de ajuste hacia la izquierda (vista desde la parte trasera) unas dos vueltas hasta que el cable pase a través de la máquina (*Figura 10*).

- Con el cable ya introducido en las mordazas, BAJE la palanca del embrague para asegurar que el juego de mordazas ha enganchado al cable. Si el cable no se encuentra enganchado, gire la perilla hacia la derecha hasta que el cable quede sujeto.
- En caso necesario, gire la perilla de ajuste en la dirección requerida para que la palanca del embrague enganche al cable en la posición deseada por el operario.



Figura 9 – Afloje el tornillo de retención

- Apriete el tornillo de retención.
- Vuelva a acoplar la manguera guía trasera.



Figura 10 – Ajuste del conjunto de la mordaza

Cable de 5/8 pulgada de diámetro

- Si la mordaza no sujeta el cable cuando la palanca del embrague está presionada, las mordazas están demasiado abiertas.
- Extraiga la manguera guía trasera fuera del alojamiento de la perilla de ajuste de la mordaza.
- Afloje el tornillo de retención con una llave hexagonal de 1/4 de pulgada (Figura 9).
- Gire la perilla de ajuste hacia la derecha hasta que el cable quede enganchado por las mordazas cuando la palanca del embrague ha sido presionada hasta dar aproximadamente 2 vueltas (Figura 10).
- Si es necesario, gire la perilla de ajuste en la dirección requerida para que la palanca del embrague enganche al cable en la posición deseada por el operario.
- Apriete el tornillo de retención.
- Vuelva a acoplar la manguera guía trasera.

Accesorios

⚠ ADVERTENCIA Sólo los productos RIDGID siguientes pueden funcionar con la Limpiadora de desagües K-60SP. Los accesorios de otras máquinas pueden resultar peligrosos si se usan con la K-60SP. Para evitar lesiones graves, emplee únicamente los accesorios recomendados.

Cable y Líder de 7/8 pulg.

No. en el catálogo	Modelo No.	Descripción
62275	C-10	Cable multiuso de 15 pies (4,6m)
30007	T-127	Líder para trampillas de 7/8 pulg.

Cables de 5/8 pulg.

No. en el catálogo	Modelo No.	Descripción
51317	C-9	de uso pesado de 10 pies (3 m)
62270	C-8	multiuso de 7 1/2 pulg. (2,3 m)
62265	C-7	de bobinado apretado de 7 1/2 pulg. (2,3m)

Tabla para la selección de cables

Modelo	Longitud	Tamaño/Tipo	Usos más comunes	Características
C-7	7 1/2'	5/8" (16mm)	Desagües en el suelo, de 2 y 3 pulgs.	Cable bobinado apretadamente, suficientemente rígido dentro de un cable de alma hueca. No se recomienda para cortar raíces de árboles.
C-8	7 1/2'	5/8" (16mm)	en tuberías de 1 1/4 pulgs. Ideales para limpiar tuberías angostas.	Cable bobinado en forma más suelta, más flexible que el C-7. Funciona como una barrena para limpiar atascos en tuberías angostas.
C-9	10'	5/8" (16mm)	en tuberías de 2 a 4 pulgs. Ideales para desagües y chimeneas.	Cable de servicio pesado, de bobinado suelto, ideal para largos recorridos en tuberías dentro de edificios.
C-10	15'	7/8" (22mm)	en tuberías de 2 a 4 pulgs. Conductos de ventilación en tejados.	Cable estándar, multiuso, de bobinado suelto. Excelente flexibilidad.

Kits de cables y herramientas

No. en el catálogo	Modelo No.	Descripción
61630	A-62	Kit de cable de equipo estándar para la K-60SP-SE, incluye: – 5 secciones de cable C-10, cable de 7/8 pulg. x 15 pies (75 pies, 23 m) – Portacables A-8
61625	A-61	Kit de cable de equipo estándar para la K-60SP-SE incluye: – Barrena recta T-101 – Barrena de embudo T-102 – Cortadora de pala T-107 – Barrena recuperadora T-125 – Cortadora de dientes de tiburón T-150-1 – Caja de herramientas A-3 – Llave de pasador A-12
48472	A-35	Kit de cable de 5/8 pulg. incluye: – 6 secciones de cable C-8, cable de 5/8 pulg. x 7 1/2 pies (45 pies, 14 m) – Portacables A-10 – Barrena recta T-201 – Barrena de bulbo T 202 – Cortadora en C, T-205 – Cortadora de pala T-211 – Llave de pasador de acoplamiento A-13
48477	A-35TW	Kit de cable de bobinado apretado de 5/8 pulgada, sustituye a los cables C-7 y C-8 en el paquete de más arriba.

Herramientas para cable C-10

No. en el catálogo	Modelo No.	Descripción
62850	T-101	Barrena recta
62855	T-102	Barrena de embudo
27642	T-125	Barrena recuperadora
62860	T-103	Cortadora de dientes de sierra, 2 1/2 pulg.
62865	T-104	Cortadora en "H", 2 1/2 pulg.
62870	T-105	Cortagrasa de 2 1/2 pulg.
62875	T-106	Cortagrasa de 3 1/2 pulg.
62880	T-107	Cortadora de pala de 1 3/4 pulg.
62915	T-109	Cortadora espiral de dientes de sierra, 1 3/4 pulg.
62920	T-110	Cortadora espiral de dientes de sierra, 2 1/4 pulg.
62925	T-111	Cortadora espiral de dientes de sierra, 3 pulg.
62930	T-112	Cortadora de 4 hojas, 1 3/4 pulg.
62935	T-113	Cortadora de 4 hojas, 3 pulgs.
98050	T-150	Cortadora de dientes de tiburón, 3 y 4 pulg.
98055	T-150-1	Cortadora de dientes de tiburón, 3 pulg.
98060	T-150-2	Cortadora de dientes de tiburón, 4 pulg.
62940	T-114	Golpeadora de cadena

Herramientas para cables C-7, C-8 y C-9

No. en el catálogo	Modelo No.	Descripción
62990	T-201	Barrena recta
62995	T-202	Barrena de bulbo, 1 1/8 pulg. diámetro exterior
63000	T-203	Barrena de bulbo, 7/8 pulg. diámetro exterior
55457	T-225	Barrena recuperadora
63065	T-217	Barrena de cabeza articulada
54837	T-204	Cortagrasa en "C", 1 pulg.
63005	T-205	Cortagrasa en "C", 1 3/8 pulg.
63010	T-206	Barrena de embudo
63015	T-207	Cortadora espiral, 1 1/4 pulg.
63020	T-208	Cortadora espiral, 1 1/2 pulg.
63025	T-209	Cortadora espiral, 2 pulg.
63030	T-210	Cortadora de pala, 1 pulg.
63035	T-211	Cortadora de pala, 1 3/8 pulg.
63040	T-212	Cortadora de pala, 1 3/4 pulg.
63045	T-213	Cortadora de 4 hojas, 1 pulg.
63050	T-214	Cortadora de 4 hojas, 1 3/8 pulg.
63055	T-215	Cortadora de 4 hojas, 1 3/4 pulg.
63060	T-216	Golpeadora de cadena, 2 pulg.
63280	T-218	Escobilla para conductos de humo, 3 pulg.
63070	T-219	Escobilla para conductos de humo, 2 1/2 pulg.
63080	T-220	Escobilla para conductos de humo, 2 pulg.
63220	T-221	Escobilla para conductos de humo, 1 1/2 pulg.
52812	T-230	Cortagrasa en "C" de serv. pesado, 2 pulg.
52817	T-231	Cortagrasa en "C" de serv. pesado, 2 1/2 pulg.
52822	T-232	Cortagrasa en "C" de serv. pesado, 3 pulg.
48482	T-250	Juego de herramientas incluye: – T-203 – T-217 – T-205 – A-13 – T-210

Varios

No. en el catálogo	Modelo No.	Descripción
59360	A-3	Caja de herramientas
59205	A-1	Mitón para mano izquierda
59295	A-2	Mitón para mano derecha
59225	A-12	Llave de pasador, cable de 7/8 pulg.
59230	A-13	Llave de pasador, cable de 5/8 pulg.
61615	A-60-12	Manguera guía trasera de 12 pies para cable C-10 de 7/8 pulg.
59235	A-14-6	Manguera guía trasera de 6 pies para cables C-7, C-8 y C-9 de 5/8 pulg.
84325	A-14-10	Manguera guía trasera de 10 pies para cables C-7, C-8 y C-9 de 5/8 pulg.
59470	A-8	Portacable (carga 75 pies de cable C-10 de 7/8 pulg.)
59210	A-10	Portacable (carga 45 pies de cable C-10 de 7/8 pulg.) Portacable (carga 90 pies de cable C-8, C-9 de 5/8 pulg.)
59425	A-36	Carrito para cable
65687		Juego de mordazas para la K-60SP

iNOTA! Consulte el Catálogo Ridge para un listado completo de herramientas de corte y accesorios.

Instrucciones de mantenimiento

▲ ADVERTENCIA

Asegure que la máquina esté desenchufada de la fuente de suministro antes de efectuarle cualquier mantenimiento o ajuste.

Lubricación

Engrase la máquina por los acoplamientos correspondientes ubicados en el alojamiento de las mordazas una vez a la semana si la máquina se usa todos los días; una vez al mes, si se la usa con menor frecuencia.

¡NOTA! No es necesario lubricar el eje del motor.

Cables

Los cables deben lavarse a fondo con agua para prevenir los efectos dañinos de sedimentos y compuestos químicos para la limpieza de desagües. Periódicamente lubrique los cables y acoplamientos con Inhibidor de la oxidación de cables RIDGID.

Cuando no estén en uso, almacene los cables bajo techo para evitar su deterioro por los agentes naturales.

Los cables deben cambiarse cuando se vuelvan muy corroídos o desgastados. Un cable está desgastado cuando sus espirales exteriores se han aplanado.

Conjunto del embrague (Juego de mordazas)

El conjunto de las mordazas del embrague debe limpiarse periódicamente.

1. Pare la máquina sobre la parte delantera de su bastidor. Asegure que la palanca del embrague esté en su posición más elevada. Con una llave hexagonal de 1/4 pulgada, extraiga los dos (2) tornillos de cabeza de cubo situados en el alojamiento para las mordazas (Figura 11).



Figura 11 – Extracción de los tornillos de cabeza de cubo

2. Extraiga el alojamiento para las mordazas. El conjunto de las mordazas del embrague se encuentra dentro del alojamiento para las mordazas.
3. Desmonte la tapa para el juego de mordazas girándola en el sentido contrario al de las manecillas del reloj (Figura 12).
4. Limpie el conjunto de las mordazas, la tapa y la parte interior del alojamiento para las mordazas.
5. Si están desgastadas, recambie el conjunto de las mordazas.
6. Instale las mordazas en el alojamiento y vuelva a atornillar la tapa.
7. Gire la perilla de ajuste hacia la derecha hasta que el conjunto de mordazas toque la tapa. Esto asegurará que el conjunto de las mordazas se encuentra bien alineado.
8. Acople el alojamiento de las mordazas a la máquina con los tornillos de cabeza de cubo.

¡NOTA! Asegure que las pestañas en la envoltura plástica están seguras dentro del alojamiento de las mordazas.



Figura 12 – Desmonte la tapa del juego de mordazas

Recambio de la correa de accionamiento

1. Pare la máquina sobre la parte delantera de su bastidor. Asegure que la palanca del embrague esté en su posición más elevada. Con una llave hexagonal de 1/4 pulgada, extraiga los dos (2) tornillos de cabeza de cubo situados en el alojamiento de las mordazas (Figura 11).

2. Extraiga el alojamiento para las mordazas.
3. En el costado de la máquina afloje la tuerca de inmovilización (Figura 13).
4. Con una llave hexagonal de $\frac{3}{16}$ pulgada, gire el tornillo de retención para la regulación del motor hasta que la correa quede lo suficientemente suelta como para extraerla.

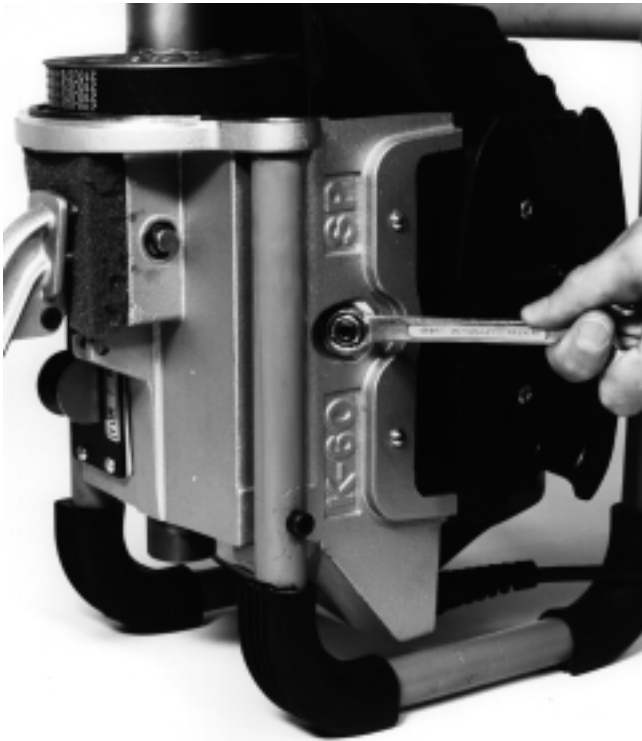


Figura 13 – Afloje la tuerca de inmovilización

5. Coloque la correa nueva y pare la máquina sobre la parte inferior del bastidor (posición de funcionamiento) para que la correa se tense con el peso del motor.
6. Gire el tornillo de retención para la regulación del motor justo hasta que tope el motor. Una vez que el tornillo de retención toque el motor, gírelo a la derecha en media vuelta más.

¡NOTA! Cuando lo apriete, no clave este tornillo de retención en el motor.

7. Mientras sostiene el tornillo de retención con la llave hexagonal de $\frac{3}{16}$ pulgada, apriete la tuerca de inmovilización (Figura 14).

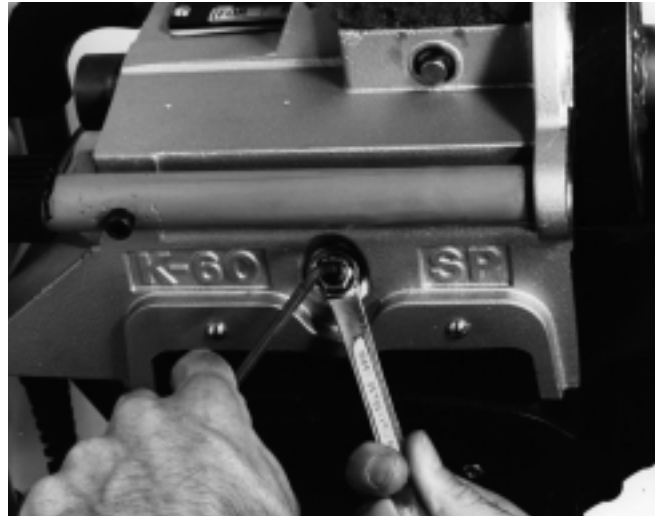


Figura 14 – Apriete la tuerca de inmovilización

8. Acople el alojamiento para las mordazas a la máquina con los tornillos de cabeza de cubo.

Almacenamiento de la máquina

⚠ ADVERTENCIA Los equipos propulsados a motor deben guardarse bajo techo o bien cubiertos para protegerlos de la lluvia o nieve. Almacene la limpiadora de desagües bajo llave donde no la puedan alcanzar los niños y personas inexpertas. En manos de personas sin entrenamiento, esta máquina puede causar lesiones graves.

Si la máquina ha quedado expuesta a temperaturas bajo 0° C, se la debe precalentar haciéndola funcionar sin carga por unos 10 a 20 minutos. Los cojinetes o rodamientos estarán congelados si no se la calienta. Si a la máquina se la deja expuesta a la intemperie por algún tiempo, se humedecerán las bobinas del motor y el motor se quemará.

Servicio y reparaciones

▲ ADVERTENCIA



La sección "Instrucciones para el mantenimiento" trata la mayor parte de los servicios requeridos por esta máquina. Cualquier problema que no haya sido mencionado en esta sección debe ser resuelto únicamente por un técnico de reparaciones autorizado de RIDGID.

La herramienta debe llevarse a un Servicentro Autorizado Independiente RIDGID o devuelta a la fábrica. Todas las reparaciones hechas por los establecimientos de servicio Ridge están garantizadas de estar libres de defectos de material y de mano de obra.

▲ ADVERTENCIA Sólo deben usarse piezas de recambio idénticas cuando se le hacen mantenimiento o reparaciones a esta máquina. Si no se siguen estas instrucciones, pueden producirse choques eléctricos u otras lesiones graves.

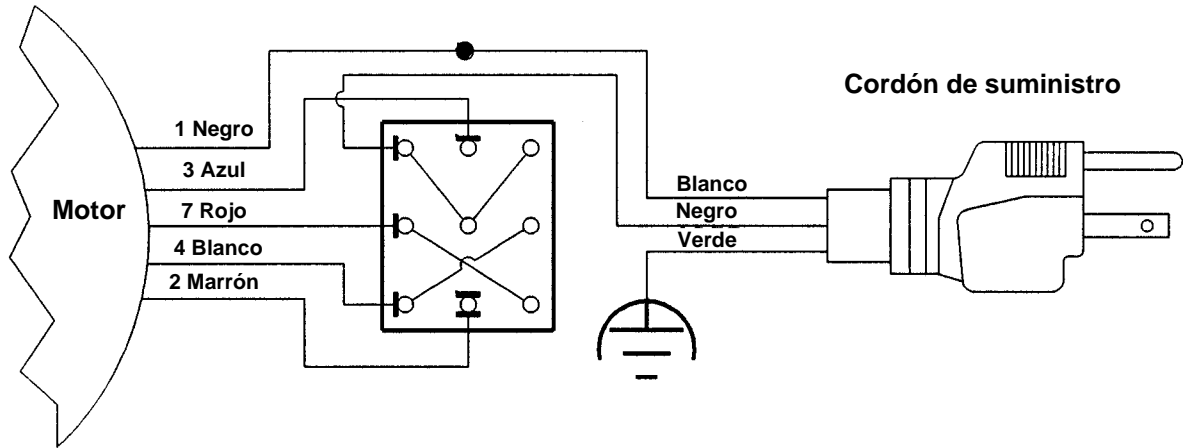
Si tiene cualquier pregunta relativa al servicio o reparación de esta máquina, llame o escriba a:

Ridge Tool Company
Technical Service Department
400 Clark Street
Elyria, Ohio 44035-6001
Teléfono: (800) 519-3456
E-mail: TechServices@ridgid.com

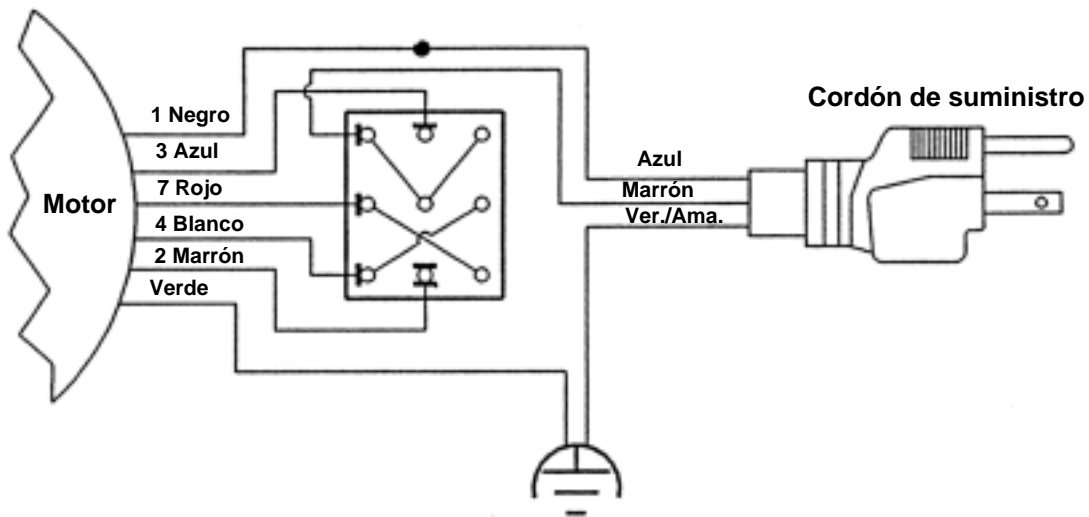
Para obtener el nombre y la dirección del Servicentro Autorizado más cercano, llame a Ridge Tool Company al (800) 519-3456 o visítenos en <http://www.ridgid.com>

Diagrama de cableado

115V/60 Hz



230V/50 Hz



**What is covered**

RIDGID® tools are warranted to be free of defects in workmanship and material.

How long coverage lasts

This warranty lasts for the lifetime of the RIDGID® tool. Warranty coverage ends when the product becomes unusable for reasons other than defects in workmanship or material.

How you can get service

To obtain the benefit of this warranty, deliver via prepaid transportation the complete product to RIDGE TOOL COMPANY, Elyria, Ohio, or any authorized RIDGID® INDEPENDENT SERVICE CENTER. Pipe wrenches and other hand tools should be returned to the place of purchase.

What we will do to correct problems

Warranted products will be repaired or replaced, at RIDGE TOOL'S option, and returned at no charge; or, if after three attempts to repair or replace during the warranty period the product is still defective, you can elect to receive a full refund of your purchase price.

What is not covered

Failures due to misuse, abuse or normal wear and tear are not covered by this warranty. RIDGE TOOL shall not be responsible for any incidental or consequential damages.

How local law relates to the warranty

Some states do not allow the exclusion or limitation of incidental or consequential damages, so the above limitation or exclusion may not apply to you. This warranty gives you specific rights, and you may also have other rights, which vary, from state to state, province to province, or country to country.

No other express warranty applies

This FULL LIFETIME WARRANTY is the sole and exclusive warranty for RIDGID® products. No employee, agent, dealer, or other person is authorized to alter this warranty or make any other warranty on behalf of the RIDGE TOOL COMPANY.

**Ce qui est couvert**

Les outils RIDGE® sont garantis contre tous vices de matériaux et de main d'oeuvre.

Durée de couverture

Cette garantie est applicable durant la vie entière de l'outil RIDGE®. La couverture cesse dès lors que le produit devient inutilisable pour raisons autres que des vices de matériaux ou de main d'oeuvre.

Pour invoquer la garantie

Pour toutes réparations au titre de la garantie, il convient d'expédier le produit complet en port payé à la RIDGE TOOL COMPANY, Elyria, Ohio, ou bien le remettre à un réparateur RIDGID® agréé. Les clés à pipe et autres outils à main doivent être ramenés au lieu d'achat.

Ce que nous ferons pour résoudre le problème

Les produits sous garantie seront à la discrétion de RIDGE TOOL, soit réparés ou remplacés, puis réexpédiés gratuitement ; ou si, après trois tentatives de réparation ou de remplacement durant la période de validité de la garantie le produit s'avère toujours défectueux, vous aurez l'option de demander le remboursement intégral de son prix d'achat.

Ce qui n'est pas couvert

Les défaillances dues au mauvais emploi, à l'abus ou à l'usure normale ne sont pas couvertes par cette garantie. RIDGE TOOL ne sera tenue responsable d'aucuns dommages directs ou indirects.

L'influence de la législation locale sur la garantie

Puisque certaines législations locales interdisent l'exclusion des dommages directs ou indirects, il se peut que la limitation ou exclusion ci-dessus ne vous soit pas applicable. Cette garantie vous donne des droits spécifiques qui peuvent être éventuellement complétés par d'autres droits prévus par votre législation locale.

Il n'existe aucune autre garantie expresse

Cette GARANTIE PERPETUELLE INTEGRALE est la seule et unique garantie couvrant les produits RIDGID®. Aucun employé, agent, distributeur ou tiers n'est autorisé à modifier cette garantie ou à offrir une garantie supplémentaire au nom de la RIDGE TOOL COMPANY.

**Qué cubre**

Las herramientas RIDGID están garantizadas contra defectos de la mano de obra y de los materiales empleados en su fabricación.

Duración de la cobertura

Esta garantía cubre a la herramienta RIDGID durante toda su vida útil. La cobertura de la garantía caduca cuando el producto se torna inservible por razones distintas a las de defectos en la mano de obra o en los materiales.

Cómo obtener servicio

Para obtener los beneficios de esta garantía, envíe mediante porte pagado, la totalidad del producto a RIDGE TOOL COMPANY, en Elyria, Ohio, o a cualquier Servicentro Independiente RIDGID. Las llaves para tubos y demás herramientas de mano deben devolverse a la tienda donde se adquirieron.

Lo que hacemos para corregir el problema

El producto bajo garantía será reparado o reemplazado por otro, a discreción de RIDGE TOOL, y devuelto sin costo; o, si aún resulta defectuoso después de haber sido reparado o sustituido tres veces durante el periodo de su garantía, Ud. puede optar por recibir un reembolso por el valor total de su compra.

Lo que no está cubierto

Esta garantía no cubre fallas debido al mal uso, abuso o desgaste normal. RIDGE TOOL no se hace responsable de daño incidental o consiguiente alguno.

Relación entre la garantía y las leyes locales

Algunos estados de los EE.UU. no permiten la exclusión o restricción referente a daños incidentales o consiguientes. Por lo tanto, puede que la limitación o restricción mencionada anteriormente no rija para Ud. Esta garantía le otorga derechos específicos, y puede que, además, Ud tenga otros derechos, los cuales varían de estado a estado, provincia a provincia o país a país.

No rige ninguna otra garantía expresa

Esta GARANTIA VITALICIA es la única y exclusiva garantía para los productos RIDGID. Ningún empleado, agente, distribuidor u otra persona está autorizado para modificar esta garantía u ofrecer cualquier otra garantía en nombre de RIDGE TOOL COMPANY.

Ridge Tool Company
400 Clark Street
Elyria, Ohio 44035-6001



EMERSON
Professional Tools